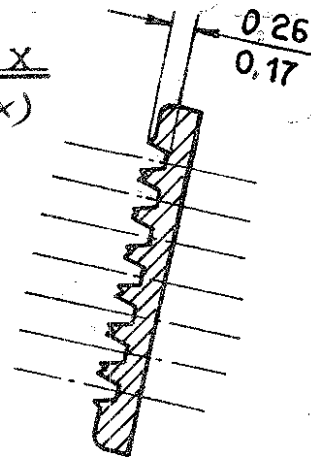
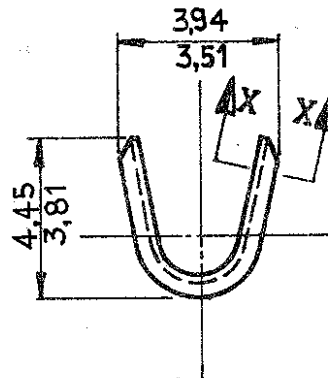
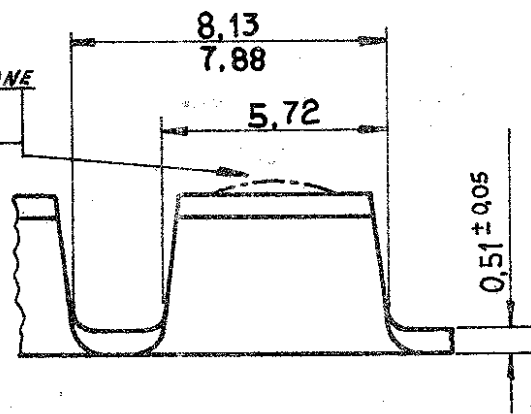


SEZIONE X X  
(SECT. X X)



PICCOLA DISTORSIONE  
PERMESSA  
(small distortion  
permitted)



	BRONZO FOSFOROSO (PH/BR)	280002-3	T
	OTTONE (BRASS)	1-280002-1	T <span style="border: 1px solid black; padding: 2px;">A</span>
STAGNATO (TIN PLTD)	OTTONE (BRASS)	280002-2	T
	OTTONE (BRASS)	280002-1	T
FINITURA (FINISH)	MATERIALE	AMP P.N.	REV.

A CONFEZIONAMENTO: 20000 PEZZI/BOBINA (CON CARTA INTERPOSTA) - 3 BOBINE/SCATOLA  
 PACKAGING: 20000 PCS/REEL (WITH INTERPOSED PAPER STRIP) - 3 REELS/BOX

DO NOT SCALE PRINT

T <sub>3</sub>	ADDED P/N 280002-3 PER EC 8700-0193-02	03/08/82
T <sub>2</sub>	ADDED SYMBOL <span style="border: 1px solid black; padding: 2px;">A</span> NEAR TO P/N 1-280002-1	27/10/82
T <sub>1</sub>	ADDED P/N 1-280002-1 PER ET06-0191-01	18/10/82
D	ANNULLATO P/N 280002-5	17/11/87
C	AGGIUNTO 280002-5	28/4/87
B	Ridisegnato e Aggiornato	9-9-77
LTR	REVISION RECORD	DR CHK DATE
DR	Dal Bello 8-9-77	DE
CHK		APP

© 1968 BY AMP INCORPORATED. ALL RIGHTS RESERVED. AMP PRODUCTS COVERED BY PATENTS AND/OR PATENTS PENDING.

CUSTOMER COPY  
REFERENCE ONLY

MATERIAL AND FINISH  
C1 VEDI TABELLA



CLASS AMPLIVAR

TYPE AUTOMATIC

WIRE RANGE INSULATION  
1500 CMAI  
TOLERANCE EXCEPT AS NOTED  
± 0.4 1° 0'

LOC I NO C-280002 REV T<sub>3</sub>

AMPLIVAR SPLICE