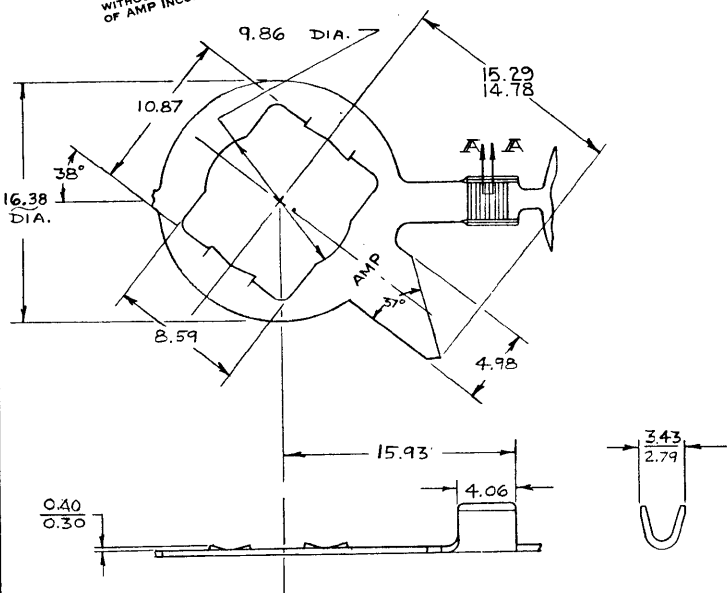


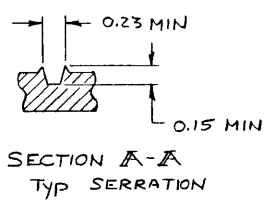
17 DRAWING MADE IN THIRD ANGLE PROJECTION

© COPYRIGHT 1977 BY AMP INCORPORATED, HARRISBURG, PA.  
 ALL INTERNATIONAL RIGHTS RESERVED. AMP INCORPORATED PRODUCTS  
 COVERED BY U. S. AND FOREIGN PATENTS AND/OR PATENTS PENDING.  
 UNPUBLISHED OR REPRODUCED WITHOUT WRITTEN PERMISSION  
 OF AMP INCORPORATED.

REVISIONS						
P	F	ZONE	LTR	DESCRIPTION	DATE	APPROVED
✓		F		REV PER ECN CM 85	1/24/85	TE/RS
✓		F <sub>1</sub>		RESTORATION	2/3/85	TS/SJ
✓		G		OBSOLETE -2 PER ECN CM 473	2-18-86	CM/RS
✓		H		REVISED PER CM-2457	7-31-89	PC/RS
✓		J		REV PER 0710-0427-95	11/14/90	PC/RS



**METRIC**



NONE		20-16 AWG MAGNET	505072-1
FINISH		WIRE RANGE	PART NO
UNLESS OTHERWISE SPECIFIED DIMENSIONS ARE IN MILLIMETERS. TOLERANCES ON DECIMALS ± 0.40 ANGLES ± 1°		CONTRACT NO 16-13-77 DR J. A. SALTZER CHK S. Heide 10/20/77 APPD J. A. Saltzer 10/20/77 NAME TERMINAL, STUD RETAINING RING, AMPLIVAR	
MATERIAL 050 BRASS	DSGN APPD	SIZE B	CODE IDENT NO 00779
FINISH SEE TABLE	OTHER APPD	DRAWING NO 505072	SCALE 4:1
		SHEET --	SHEET --

AMP 1470-15 (7-73)

**CUSTOMER DRAWING**