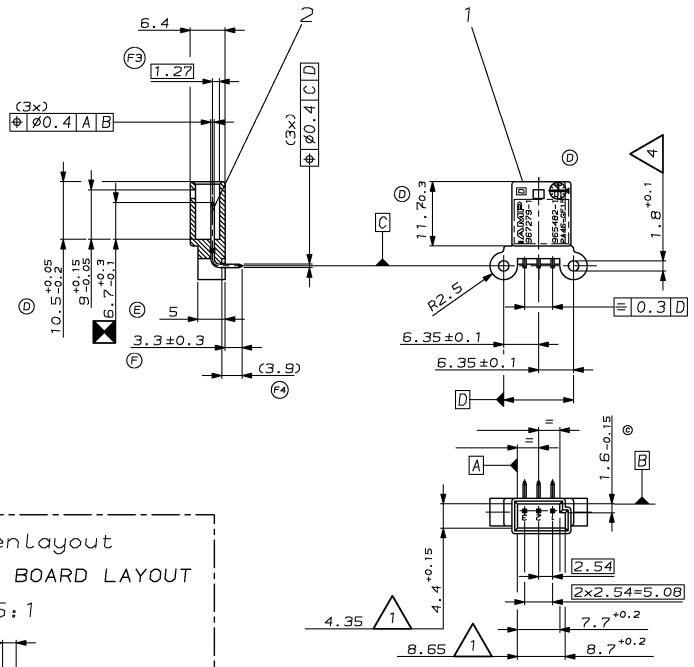
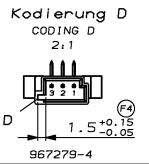
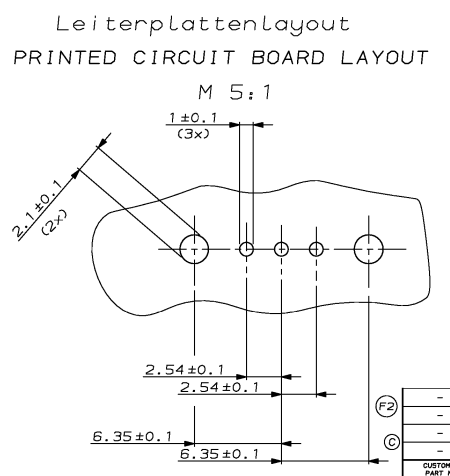
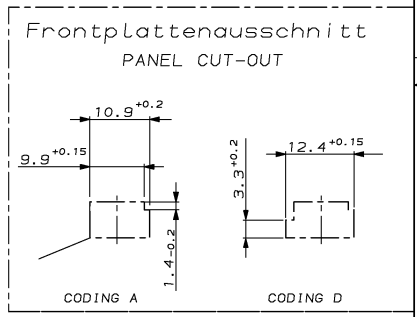


NOTES: DRAWING IS UNDER RESERVE. BEFORE FOR PUBLICATION. DATE: 08.07.94. DRAWING NO.: 965444/965444. BY AMP INCORPORATED. ALL RIGHTS RESERVED.



REV. NO.	DATE	BY	CHKD.	DESCRIPTION
B	06.05.94	MATERIAL PIN HOUSING CHANGED
C	20.06.95	MATERIAL PIN HOUSING CHANGED
D	04.08.94	DIM. CHANGED
D1	20.04.95	NOTE 6 ADDED
E	05.06.96	PIN LENGTH CHANGED
F	20.06.97	PIN LENGTH CHANGED
F1	09 JUL 98	E800-0733-98, NEW DWG.-FRAME
F2	22.08.02	E800-2724-02, CODING D 967279-4 ADDED
F3	10.12.03	E840-1025-03, DIMENSION NEW ADDED
F4	19.10.07	EDR-07-022467, COO. D. DIMENSION CORRECTED



- Bemerkungen:**
- Einfall zulässig bis
PERMISSIBLE COLLAPS TO
 - Kontaktausdrückkraft >25 N
PULLOUT-FORCE OF THE CONTACT >25N
 - Lötbarkeit gemäß ICE 68 Teil 2-20, Alterung 3
SOLDERABILITY ACCORDING TO ICE 68, PART 2-20, AGEING 3
 - Befestigungsbohrung für AVLUG Hohlriet der Fa. AVDEL
Bestellnr.: 1107-0208
 - Die Teile müssen nach der Lötanwendung 24h in
Normklima 23/50-1 DIN 50014 konditioniert werden.
THE PARTS HAS TO BE CONDITIONED 24h AFTER THE SOLDERING
PROCESS IN NORMAL ATMOSPHER OF 23/50-1 DIN 50014.

CUSTOMER PART NO.	AMP PART NO.	REV.	PCS.	MATERIAL	SURFACE COLOR	DESCRIPTION	ITER NO.
-	967279-4	A	3	CuFe2	verzinkt	MODU II Stift	2
-	-	-	1	PA46-GF15	schwarz	Stiftwanne	1
-	967279-1	F	3	CuFe2	verzinkt	MODU II Stift	2
-	-	-	1	PA46-GF15	schwarz	Stiftwanne	1

<p>ITR SYSTEM OF CONTROL AND INSPECTION</p> <p>DATE: 08-FEB-94</p> <p>BY: BOLDI</p> <p>AMP</p> <p>PRODUCT SPEC</p> <p>APPLICATOR SPEC</p> <p>WEIGHT</p> <p>REVISION</p>	<p>AMP Deutschland GmbH</p> <p>D - 63225 Langen</p> <p>PIN HOUSING (90°), 3POS., MQS</p> <p>Stiftwanne (90°), 3pol., MQS</p> <p>FILE: A200779</p> <p>CASE CODE: 967279</p> <p>DRAWING NO.: 967279</p> <p>REVISION: 1</p> <p>SCALE: 2:1</p> <p>DATE: 08-FEB-94</p> <p>BY: BOLDI</p> <p>CHKD.: ...</p> <p>ITER NO.: 1</p> <p>REV: F4</p>
---	--