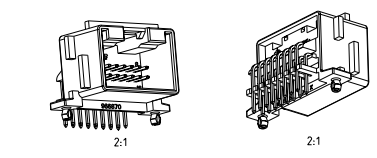
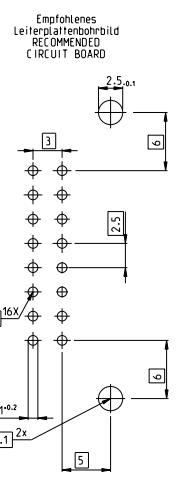
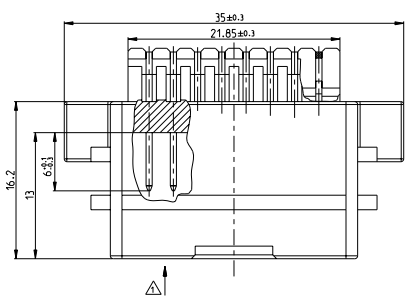
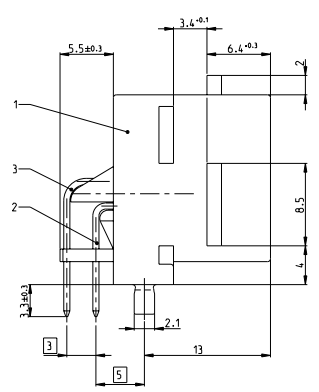
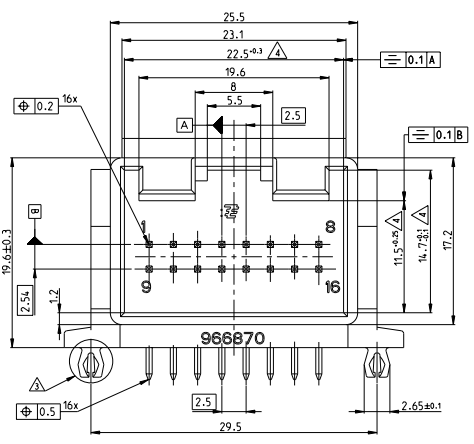


REV. NR.	REV. BEZUG	REVISIONS ÄNDERUNG	DATUM	VON	BIS
A1	-	1	1.11.2007	Strohm	KS
A	-	2		Strohm	KS
B	-	3		Strohm	KS
C1	-	4		Strohm	KS
C2	-	5		Strohm	KS



- Bemerkungen
- △ Kontaktausdruckkraft min. 40N
  - 2 Passender Anschlussstecker:  
Abdeckkappen VW/Audi: 969421  
969444  
Abdeckkappen Neutral: 969545  
1355361
  - Kontaktgehäuse: 828929-2  
966596-X
  - △ Rastzapfen fuer Leiterplattenbreite 1.5mm
  - △ Formbedingter Einfall max. 0.3 zul.
  - △ Verpackung A:  
Karton PN 0-740906-1  
Tray PN 0-740966-2  
Zwischentage (338x535mm)
  - △ Verpackung B:  
Karton PN 0-740906-1  
Tray PN 0-740966-2  
Beutel PN 1379066-3

- NOTES
- △ PRESS OUT FORCE MIN. 40N
  - 2 SUITABLE CONNECTOR:  
SHIELDS VW/AUDI : 969421  
969444  
SHIELDS NEUTRAL: 969545  
1355361
  - CONTACT HOUSING: 828929-2  
966596-X
  - △ LOCKING PIN FOR PCB THICKNESS 1.5MM
  - △ TOOL DEPENDENT WARPAGE MAX. 0.3 PERMITTED
  - △ PACKAGING A:  
BOX PN 0-740906-1  
TRAY PN 0-740966-2  
CORRUGATED INNER LAYER (338X535mm)
  - △ PACKAGING B:  
BOX PN 0-740906-1  
TRAY PN 0-740966-2  
BAG PN 1379066-3

TE-ORDER-NO.	REV.	POS.	QTY.	DESCRIPTION	MATERIAL	SURFACE COLOUR	PACKAGING
1-966 870-1	C	3	8	MODU II PIN CD.63 (26.9MM)	CuSn6	TIN-PLATED	B
		2	8	MODU II PIN CD.63 (27.7MM)	CuSn6	TIN-PLATED	
		1	1	2X8 POS. PIN-HEADER	PBT-GF 15	BLACK	
966 870-1	C	3	8	MODU II PIN CD.63 (26.9MM)	CuSn6	TIN-PLATED	A
		2	8	MODU II PIN CD.63 (27.7MM)	CuSn6	TIN-PLATED	
		1	1	2X8 POS. PIN-HEADER	PBT-GF 15	BLACK	

TE-ORDER-NO.	REV.	POS.	QTY.	DESCRIPTION	MATERIAL	SURFACE COLOUR	PACKAGING
1-966 870-1	C	3	8	MODU II PIN CD.63 (26.9MM)	CuSn6	TIN-PLATED	B
1-966 870-1	C	2	8	MODU II PIN CD.63 (27.7MM)	CuSn6	TIN-PLATED	B
1-966 870-1	C	1	1	2X8 POS. PIN-HEADER	PBT-GF 15	BLACK	B
1-966 870-1	C	3	8	MODU II PIN CD.63 (26.9MM)	CuSn6	TIN-PLATED	A
1-966 870-1	C	2	8	MODU II PIN CD.63 (27.7MM)	CuSn6	TIN-PLATED	A
1-966 870-1	C	1	1	2X8 POS. PIN-HEADER	PBT-GF 15	BLACK	A