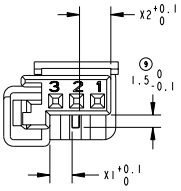


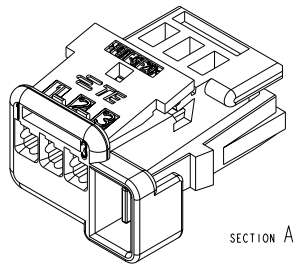
KEYING TABLE (table de detrompage)

COLOR couleur	X1	X2	PART NO
BLACK noir	6.5 (10)	0 (1)	953697-1
WHITE blanc	5.2 (12)	1.3 (11)	953697-2
BLUE bleu	4 (14)	2.5 (13)	953697-3
YELLOW jaune	2.7 (16)	3.8 (15)	953697-4
GREY gris	1.5 (18)	5 (17)	953697-5
BROWN marron	0 (20)	6.3 (2)	953697-6

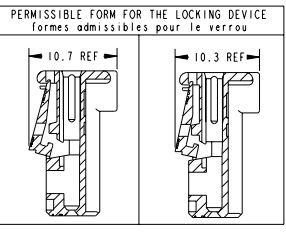
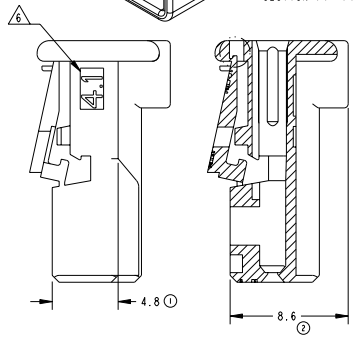
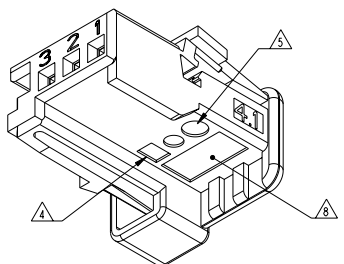
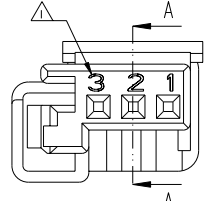


LOC	DIST	REV	DESCRIPTION MODIFICATIONS	DATE	OWN	APPROV
F	00	P	LYA			
		BI	REVISED PER ECO-11-005150	20MAR2011	RK	HMR

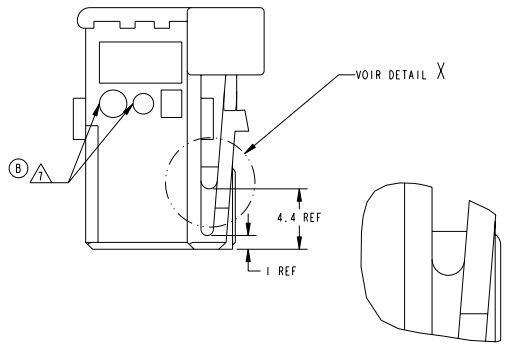
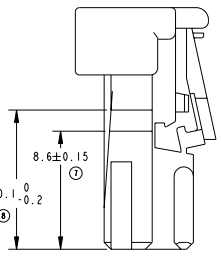
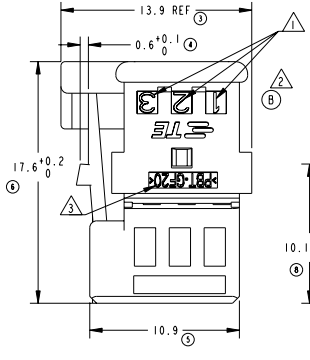
- △ CAVITY MARKING
repères alvéoles
- △ AMP STAMP OR TE CONNECTIVITY STAMP (following mold)-
logo AMP ou logo TE CONNECTIVITY (suivant moule)
- △ MATERIAL IDENTIFICATION
marquage matière
- △ MOLD REVISION NUMBER (optional)
indice de revision moule (optionnel)
- △ MOLD IDENTIFICATION
identification moule
- △ MOLD CAVITY IDENTIFICATION NUMBER
numero d'empreinte moule
- △ EXCHANGEABLE MANUFACTURING DATE
date de fabrication échangeable
- △ CUSTOMER STAMP PSA (OPTIONAL)
logo client PSA (optionnel)



SECTION A - A



SECTION A - A
SCALE 3:1



DETAIL X
SCALE 10:1

THIS DRAWING IS A CONTROLLED DOCUMENT.		DATE: 22MAR2006	TE Connectivity	
DIMENSIONS: mm		DESIGNER: M. FOLLEON	TE Connectivity	
TOLERANCES UNLESS OTHERWISE SPECIFIED:		APPROVED: X. ROULLARD	TE Connectivity	
± 0.2		DATE: 22MAR2006	TE Connectivity	
MATERIAL: PBT-GF20		PRODUCT SPEC: 10815226	TE Connectivity	
FINISH: 411-15626		APPLICATION SPEC: 411-15626	TE Connectivity	
REVISION: 19		DATE: 19	TE Connectivity	
CUSTOMER DRAWING		SHEET: A2	TE Connectivity	
PLAN CLIENT		CAGE CODE: 100779	TE Connectivity	
UNIQUE REFERENCE: 953697		SCALE: 5:1	TE Connectivity	
SHEET: 1		OF: 1	TE Connectivity	