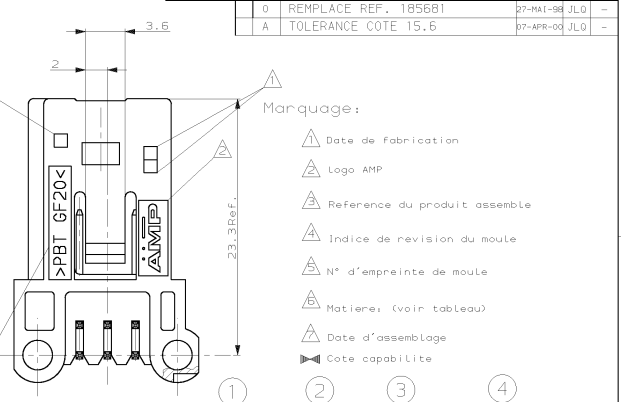
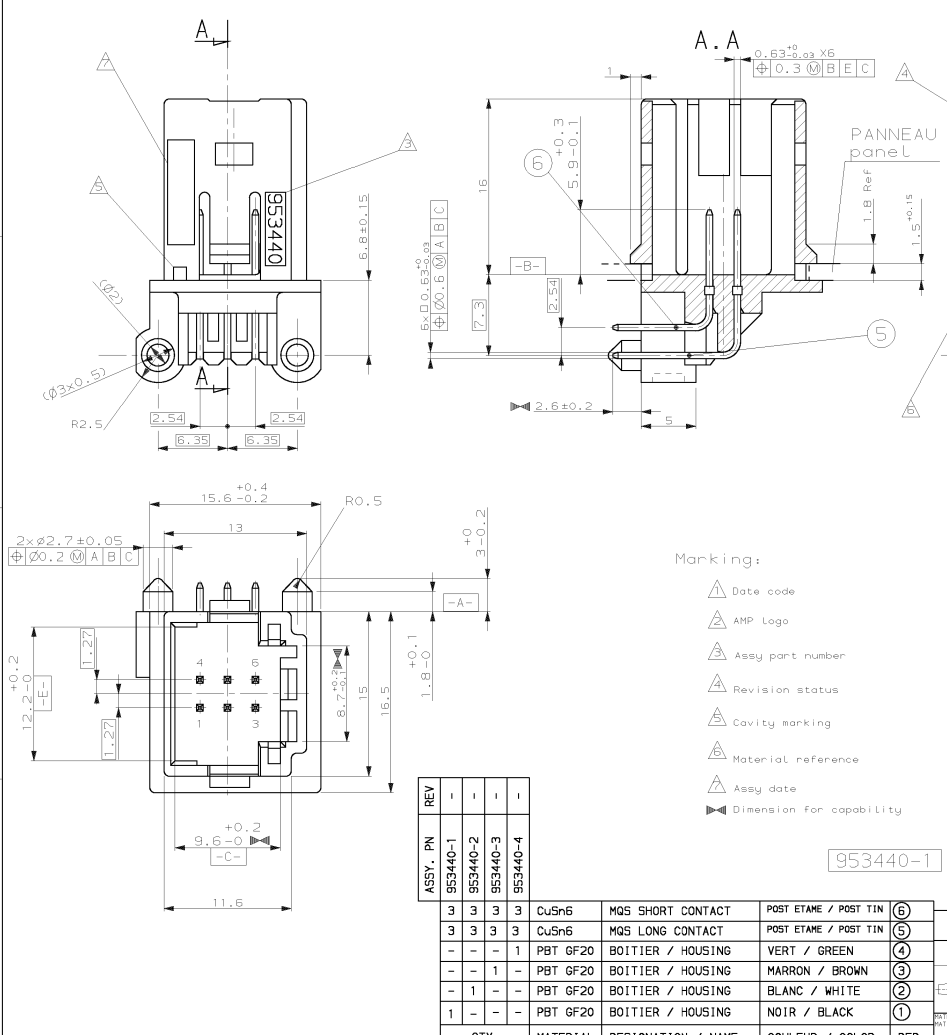
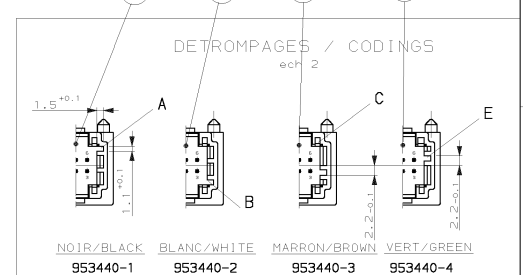


REV. NO.		DATE		DESCRIPTION		DATE	BY	APP'D
F	LTR	REV	DATE	DESCRIPTION	DATE	BY	APP'D	
0			27-MAI-98	REPLACE REF. 185681	27-MAI-98	JLJ		
A			07-APR-04	TOLERANCE COTE 15.6	07-APR-04	JLJ		



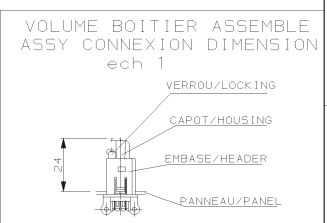
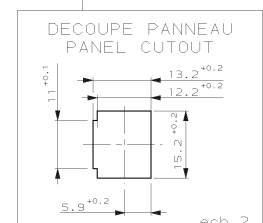
- Marquage:
- ▲ Date de fabrication
  - ▲ Logo AMP
  - ▲ Reference du produit assemble
  - ▲ Indice de revision du moule
  - ▲ N° d'empreinte de moule
  - ▲ Matiere: (voir tableau)
  - ▲ Date d'assemblage
  - ▲ Cote capabilite



- Marking:
- ▲ Date code
  - ▲ AMP Logo
  - ▲ Assy part number
  - ▲ Revision status
  - ▲ Cavity marking
  - ▲ Material reference
  - ▲ Assy date
  - ▲ Dimension for capability

ASSY. PN	REV
953440-1	-
953440-2	-
953440-3	-
953440-4	-

QTY	MATERIAL	DESIGNATION / NAME	COULEUR / COLOR	REP.
3	CuSn6	MQS SHORT CONTACT	POST ETAME / POST TIN (6)	
3	CuSn6	MQS LONG CONTACT	POST ETAME / POST TIN (5)	
1	PBT GF20	BOITIER / HOUSING	VERT / GREEN (4)	
1	PBT GF20	BOITIER / HOUSING	MARRON / BROWN (3)	
1	PBT GF20	BOITIER / HOUSING	BLANC / WHITE (2)	
1	PBT GF20	BOITIER / HOUSING	NOIR / BLACK (1)	



REV	DATE	DESCRIPTION	DATE	BY	APP'D
1	05-15-10	18-APR-04	18-APR-04	JLJ	

AMP DE FRANCE  
95301 PONTOISE

EMBASE 6V MOS CODEE AVEC 2 PICOTS  
6V MOS RIGHT ANGLE HEADER WITH 2 PINS

WEIGHT APPROX. 2.5gr  
CUSTOMER DRAWING/PLAN CLIENT POUR REFERENCE

SCALE 4:1