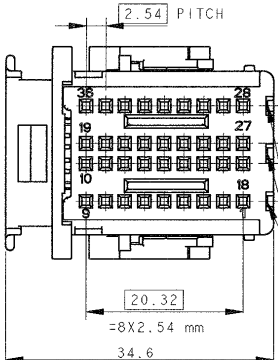


THIS DRAWING IS UNPUBLISHED. RELEASED FOR PUBLICATION  
 COPYRIGHT 19 BY TYCO ELECTRONICS CORPORATION. ALL RIGHTS RESERVED.

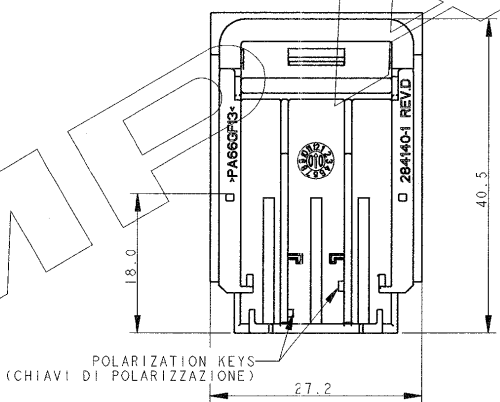
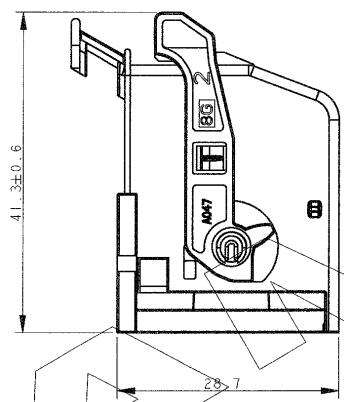
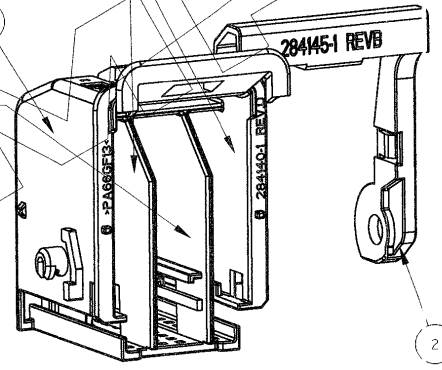
P	LTR	DESCRIPTION	DATE	DWN	APVD
A		FIRST ISSUE	19AUG98	G.S.	A.G.
B		RELEASED FOR PRODUCTION (ET00-0190-00)	23AUG00	G.S.	O.C.
D		REVISED PER ET00-0148-01	13JUL01	M.G.	A.G.
D1		REVISED PER ET00-0238-01	08OCT01	M.G.	A.G.



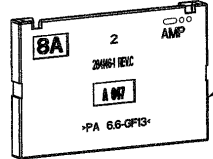
CAVITA' ADATTE PER MODULI IDC P/N 284126-1(DX) E -2(SX)  
 (CAVITIES SUITABLE FOR IDC MODULES P/N 284126-1(R)&-2(L))

CAVITA' ADATTA PER MODULO CRIMP MQS P/N 953599-1  
 (CAVITY SUITABLE FOR MQS CRIMP MODULE P/N 953599-1)

POLARIZATION RIBS  
 (NERVATURE DI POLARIZZAZIONE)



POLARIZATION KEYS  
 (CHIAVI DI POLARIZZAZIONE)



284137-1 KIT ASSY AS SHOWN

N. ITEM	DESCRIZIONE (DESCRIPTION)	MATERIALE (MATERIAL)	COLORE (COLOR)	Q.TA' (QTY)
1	CORAZZA 36 VIE (SHELL 36 POS.)	PA6.6 G.F.	BLU (BLUE)	1
2	LEVA (LEVER)	PA6.6 G.F.	ROSSO (RED)	1
3	PIASTRINA D'ARRESTO (RETAINER)	PA6.6 G.F.	NERO (BLACK)	1

DIMENSIONS: mm		TOLERANCES UNLESS OTHERWISE SPECIFIED:	
0 PLC	±0.3	0	±0.3
1 PLC	±0.3	1	±0.3
2 PLC	±0.3	2	±0.3
3 PLC	±	3	±
4 PLC	±	4	±
ANGLES	±	ANGLES	±

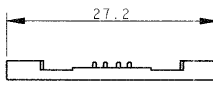
DWN	G. STELLA	19AUG98
CHK	A. GENTA	19AUG98
APVD	A. BRUNI	19AUG98
PRODUCT SPEC		
APPLICATION SPEC		
WEIGHT		
CUSTOMER DRAWING		

<b>AMP</b>		AMP Italia S.p.A. Collegno, C.so F.lli Cervi 15	
NAME: 36 POS. FRAME ASSY 2.54 mm PITCH			
SIZE	CAGE CODE	DRAWING NO	RESTRICTED TO
A3	00779	C=284137	
SCALE: 2:1		SHEET 1 OF 2	

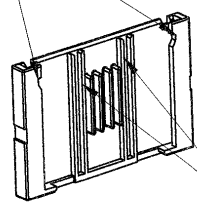
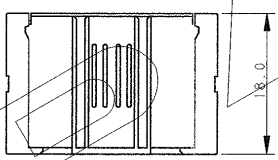
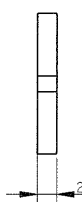
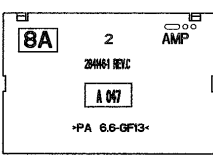
AMP 1470-19 REV 31MAR2000

THIS DRAWING IS UNPUBLISHED. RELEASED FOR PUBLICATION  
 © COPYRIGHT 19 BY TYCO ELECTRONICS CORPORATION. ALL RIGHTS RESERVED.

LOC	DIST	REVISIONS			
P	LTR	DESCRIPTION	DATE	DWN	APVD
-	-	SEE SHEET 1	-	-	-



CHIUSURE LATERALI  
(SIDEWAY LOCKING LANCES)



GUIDE  
(GUIDING KEYS)

284146-1 COME MOSTRATO (AS SHOWN)

<small>THIS DRAWING IS A CONTROLLED DOCUMENT FOR TYCO ELECTRONICS CORPORATION          IT IS SUBJECT TO CHANGE AND THE CONTROLLING ENGINEERING ORGANIZATION          SHOULD BE CONTACTED FOR THE LATEST REVISIONS</small>		DWN G. STELLA 19AUG98 CHR A. GENTA 19AUG98 APVD A. BRUNI 19AUG98	<b>AMP</b> AMP Italia S.p.A. Collegno, C.so F.lli Cervi 15
DIMENSIONS: mm 	TOLERANCES UNLESS OTHERWISE SPECIFIED: 0 PLC ±0.3 1 PLC ±0.3 2 PLC ±0.3 3 PLC ± 4 PLC ± ANGLES ±2°	NAME 36 POS. FRAME ASSY 2.54 mm PITCH PRODUCT SPEC - APPLICATION SPEC - WEIGHT -	SIZE A3 CARE CODE 00779 DRAWING NO. ©=284137 RESTRICTED TO -
MATERIAL -	FINISH -	CUSTOMER DRAWING	SCALE 2:1 SHEET 2 OF 2 R.V. DI