

4

3

2

1

THIS DRAWING IS UNPUBLISHED.

RELEASED FOR PUBLICATION 2011

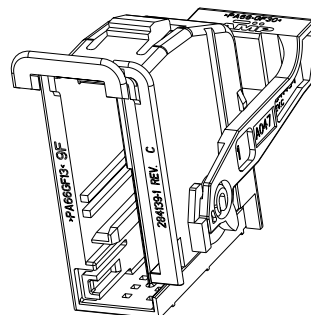
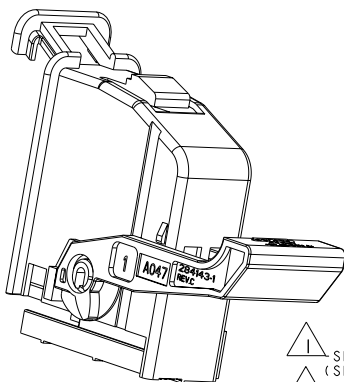
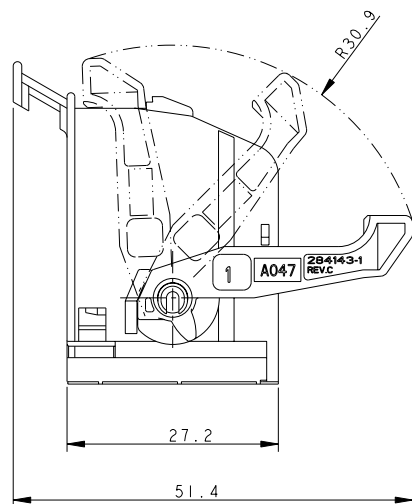
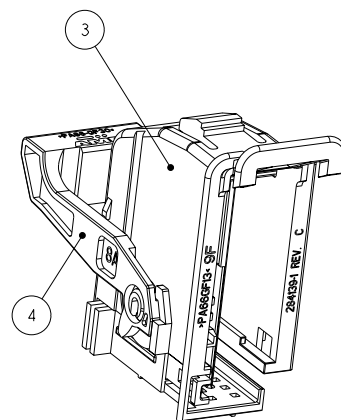
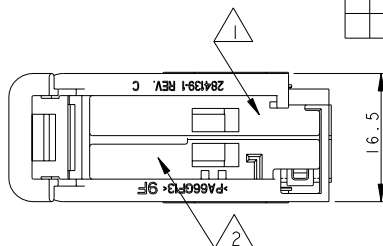
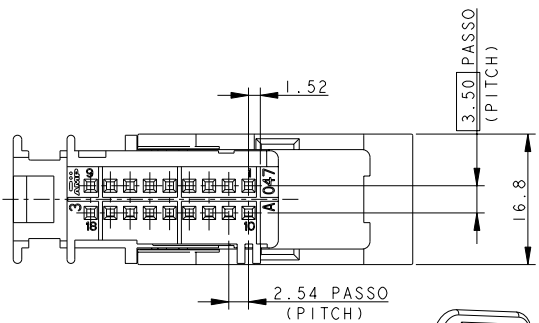
COPYRIGHT 2011 BY

ALL RIGHTS RESERVED.

LOC
1DIST
-

REVISIONS

P	LTR	DESCRIPTION	DATE	DNW	APVD
A2		RELEASED FOR PRODUCTION (ET00-0205-00)	17JUN2000	M.S.	O.C.
A3		REVISED PER ECR-11-019179	26SEP2011	M.G.	M.G.



1 SEDE ADATTA PER MODULO IDC 9 POS. PASSO 2.54 mm P/N.284126-1
(SLOT SUITABLE FOR IDC MODULE 9 POS. 2.54 mm PITCH P/N 284126-1)

2 SEDE ADATTA PER MODULO CRIMP 9 POS. PASSO 2.54 mm P/N 284134
(SLOT SUITABLE FOR CRIMP MODULE 9 POS. 2.54 mm PITCH P/N 284134)

284136-1 AS SHOWN

MATERIALI (MATERIALS)

3-CORAZZA: PA 6.6 CARICATO VETRO VEDI TAB. FOGLIO 2-2 PER COLORE

(3-SHELL: PA 6.6 GLASS FILLED SEE TABLE SHEET 2-2 FOR COLOR)

4-LEVA: PA 6.6 CARICATO VETRO COLORE ROSSO

(4-LEVER: PA 6.6 GLASS FILLED RED COLOR)

THIS DRAWING IS A CONTROLLED DOCUMENT.

DIMENSIONS:

mm



TOLERANCES UNLESS OTHERWISE SPECIFIED:

0 PLC ±
1 PLC ±0.3
2 PLC ±
3 PLC ±
4 PLC ±
ANGLES ±°

MATERIAL

FINISH

DNW 18AUG98

CHK G. STELLA

A GENTA 18AUG98

APVD A. BRUNI 18AUG98

PRODUCT SPEC

APPLICATION SPEC

WEIGHT

CUSTOMER DRAWING

STE

TE Connectivity

NAME
18 POS.
FRAME 9+9 POS. IDC/CRIMP
2.54mm PITCH

SIZE CAGE CODE DRAWING NO

A3 00779 C-284136

RESTRICTED TO

SCALE 1:1 SHEET 1 OF 2 REV A3

1470-19 (3/11)

ProENGINEER DRAWING

4

3

2

1

THIS DRAWING IS UNPUBLISHED.


RELEASED FOR PUBLICATION 2011

© COPYRIGHT 2011 BY -

ALL RIGHTS RESERVED.

LOC	DIST	REVISIONS			
P	LTR	DESCRIPTION	DATE	DWN	APVD
-	-	SEE SHEET 1	-	-	-

P/N	RAPPRESENTAZIONE GRAFICA (GRAPHICAL RAPPRESENTATION)	HOUSING CRIMP P/N	CONNECTION CONNESSIONE	CONTROPARTE (COUNTERPART)	COLORE (COLOR)
284136-1		284134-1	E03PA STRUMENTO (INSTRUMENT)	HEADER P/N 953466-1	NERO (BLACK)
284136-2 (WAS 96-51288-91)		284134-2	E15PA PLANCETTA COMANDI (AUXILIARY CONTROL BOX)	HEADER P/Ns 953466-1/-2	GRIGIO (GREY)

THIS DRAWING IS A CONTROLLED DOCUMENT.		OWN G. STELLA 18AUG98	 TE Connectivity	
DIMENSIONS: mm		CHK A GENTA 18AUG98		
TOLERANCES UNLESS OTHERWISE SPECIFIED:		APVD A BRUNI 18AUG98	NAME 18 POS. FRAME 9+9 POS. IDC/CRIMP 2.54mm PITCH	
0 PLC ± 1 PLC ±0.3 2 PLC ± 3 PLC ± 4 PLC ± ANGLES ±1°		PRODUCT SPEC -	RESTRICTED TO	
MATERIAL -		APPLICATION SPEC -	SIZE A3	CAGE CODE 00779
		WEIGHT -	DRAWING NO C=284136	
CUSTOMER DRAWING			SCALE 2:1	SHEET 2 OF 2
			REV A3	

1470-19 (3/11)