

4

3

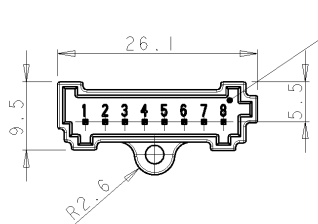
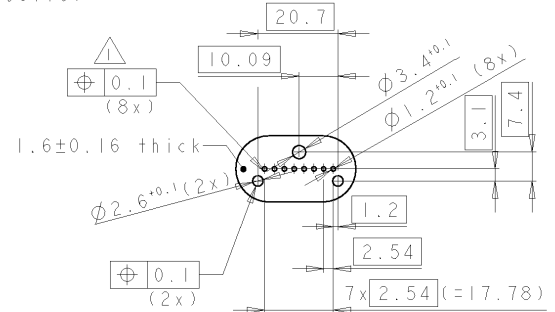
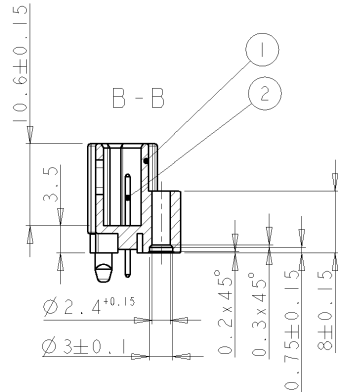
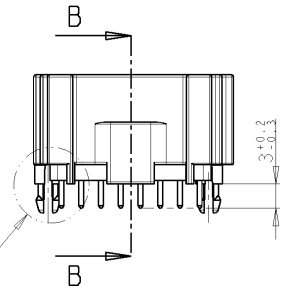
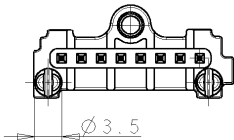
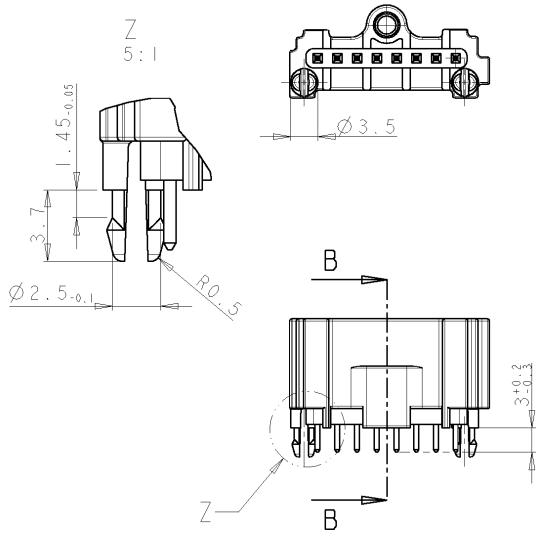
2

1

THIS DRAWING IS UNPUBLISHED. RELEASED FOR PUBLICATION  
 © COPYRIGHT 1996 BY TYCO ELECTRONICS CORPORATION. ALL RIGHTS RESERVED.

LOC	DIST	REVISIONS				
P	LTR	DESCRIPTION	DATE	DWN	APVD	
A1	-	Zeichnung überarbeitet	14JAN99	CDA		
A2	-	AMP-Nr. 0-0965388-1 und 2-0965389-1 ersetzt durch TYCO Nr. 0-0965388-2 und 2-0965389-2	21JUN04	PN1		

NONCOMMITTAL PRINTED CIRCUIT BOARD LAYOUT MI:1  
 (SOLDER SIDE)  
 Unverbindliches Leiterplattenlayout MI:1  
 (Loetseite)



Passend zu Kupplung (8fach)  
 DB-Nr. A032 545 52 28kz  
 TYCO-Nr. 0-0965 388-2  
 TYCO-Nr. 2-0965 389-2

Bemerkungen  
 1 Nach Kundenspezifikation min Ø1.2mm

2-969549-1	8	CuFe2	vorverzinkt	□0.63 Stiff	2
	1	PBT/ASA GF20	natur	Stiffleiste 8pol.	1

DIMENSIONS: mm 		TOLERANCES UNLESS OTHERWISE SPECIFIED: DIN 16901-140 0-PLC ±0.1 1-PLC ±0.1 2-PLC ±0.20 3-PLC ±0.300 4-PLC ±0.3000 ANGLES ±°		DWN C. Dayioglu 11DEZ98 CHK J. Ryll 14DEZ98 ZPVD - NAME - PRODUCT SPEC 108-18558-0 APPLICATION SPEC - WEIGHT - CUSTOMER DRAWING	AMP Deutschland GmbH D - 63225 Langen <b>AMP</b> PIN-HEADER, 8POS., MQS Stiffleiste, 8polig, MQS SIZE A3 CAGE CODE 00779 DRAWING NO. G-969549 RESTRICTED TO - SCALE 2:1 SHEET 1 OF 1 REV A2
-----------------------	--	--	--	---	---

AMP 1470-19 REV 20/04/0001

Pro/ENGINEER DRAWING