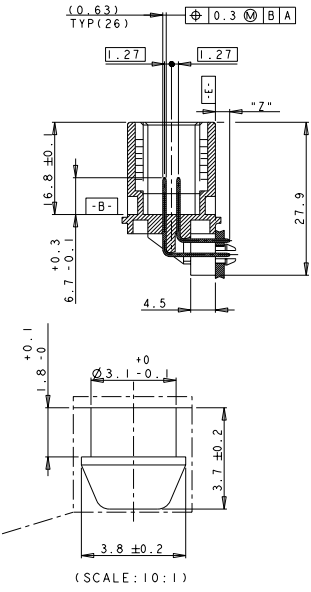
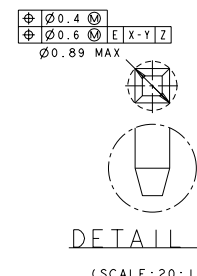


SECTION F-F



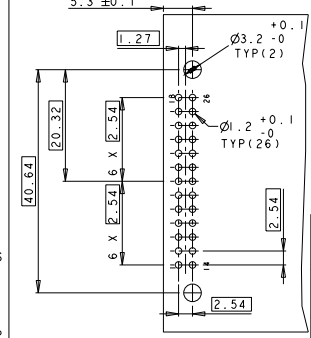
REVISIONS					
P	LYA	DESCRIPTION	DATE	DNW	APVS
A		MISE A JOUR	07-AUG-96	NT	-
B		NEW REFERENCES ADDED	15-NOV-96	NT	-
C		LEAD REMOVED	05-FEB-00	MY	-



DETAIL G (SCALE: 20:1)

	BLUE (bleu)	3.5 ± 0.2	185534-4
	YELLOW (jaune)	2.6 ± 0.2	185534-2
	YELLOW (jaune)	3.5 ± 0.2	185534-3
	YELLOW (jaune)	2.6 ± 0.2	185534-1
CODING (Détrompage)	COLOR (Couleur)	"2"	P/N ASS'Y (reference assemble)

RECOMMENDED PCB LAYOUT (PRECONISATION DE L'IMPLANTATION DU CIRCUIT IMPRIME)



- NOTES:
- △ DATE CODE
 - ② "AMP" LOGO
 - ③ TYCO ELECTRONICS PART NUMBER
 - ④ MOLD CAVITY MARKING
 - ⑤ MATERIAL REFERENCE
 - ⑥ DIMENSIONS REQUIRED FOR CONNECTOR MATING
- DATE CODE
- LOGO D' "AMP"
- REFERENCE PRODUIT TYCO ELECTRONICS
- N° EMPREINTE MOULE
- REFERENCE MATIERE
- ZONE LIBRE POUR MONTAGE PORTE CLIP

PBT 20% GLASS FIBER (PBT 20% FIBRE DE VERRE)	COPPER ALLOY (ALLIAGE CUIVRE)	TIN OVER NICKEL (ETAIN SUR SOUS-COUCHE NICKEL)
HOUSING MATERIAL (MATIERE EMBASE)	PIN MATERIAL (MATIERE CONTACT)	PIN FINISH (FINITION CONTACT)
DIMENSIONS: mm OPERATING SPEC: 108-15140 APPLICATION SPEC: - WEIGHT: - MATERIAL: SEE TABLE	DWG: NGUYEN CDR: LAQUERES APPD: BEVILL PRODUCT SPEC: 108-15140 DATE: 28-NOV-96 NAME: NGUYEN DATE: 28-NOV-96 TYCO Electronics Tyco Electronics France SAS 93300 Pantouze, France	TYCO ELECTRONICS FRANCE SAS 93300 PANTOUZE, FRANCE HEADER ASSY, 26 POSN. MOS. RIGHT ANGLE WITH BOARD-LOCK EMBASE ASSEMBLEE, 26 POSITIONS, MOS. COUDEE AVEC BOARD-LOCK SHEET: A200779 DRAWING NO: 185534 RESTRICTED TO: - SCALE: 2:1 SHEET 1 OF 1 REV C