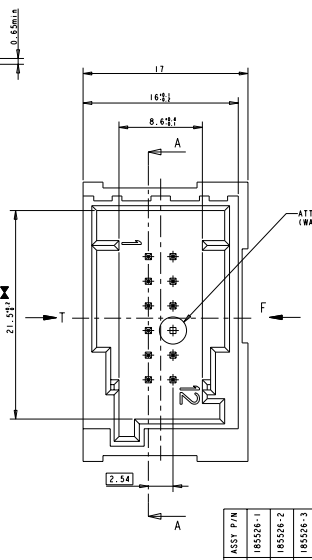
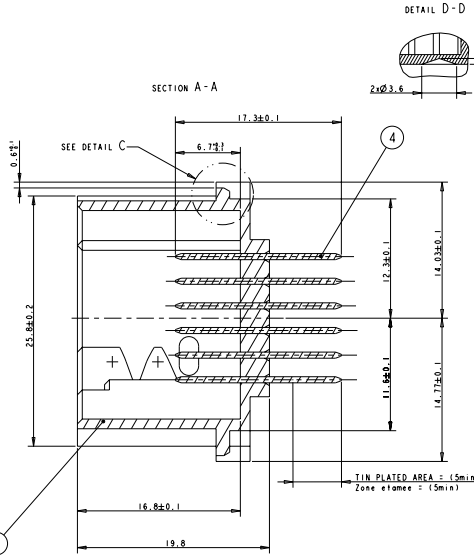
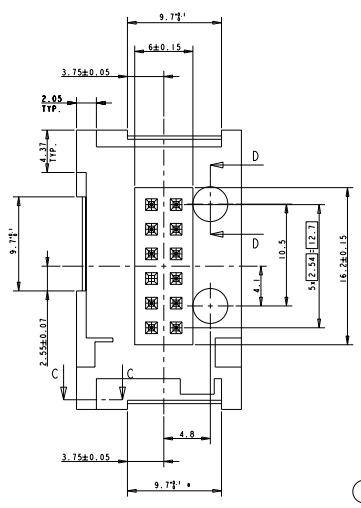
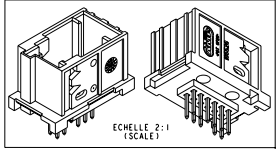


REV	DATE	DESCRIPTION	BY	CHK	APP
M	12/85	REDESSINE ET AJOUT DIM. 4.31 ET 2.05	128P2007	AD	JL
N	10/85	AJOUT DEPOUILLE 0.5 AUX 4 COINS	128P2007	AD	JL
P	2/85	AJOUT NOUVELLE VERSION SUR FEUILLE 3/3	2186009	AD	JL



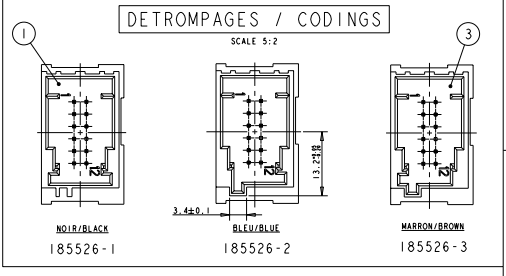
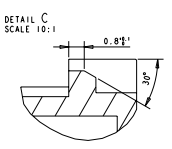
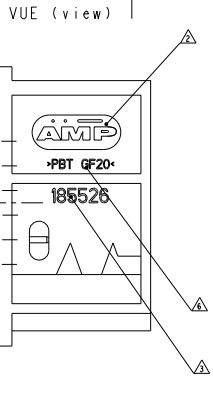
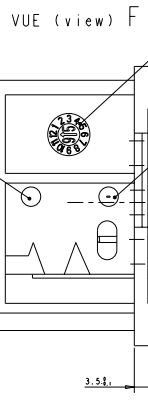
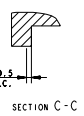
ATTENTION: PAS DE CONTACT (WARNING: NO CONTACT)

Notes:

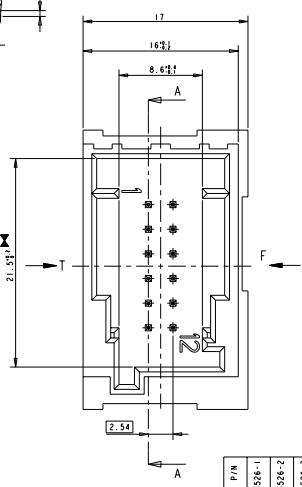
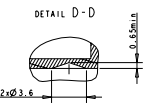
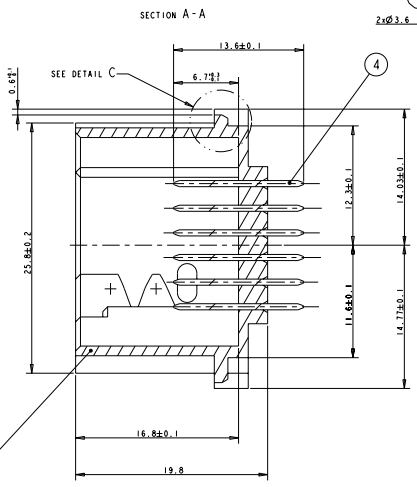
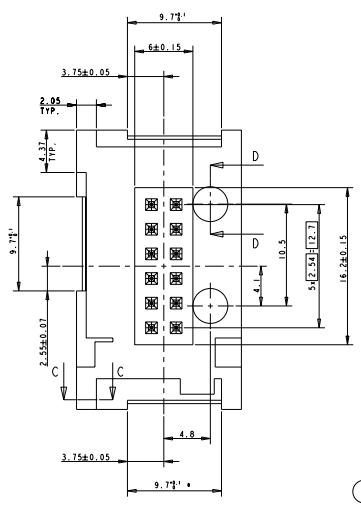
- ⚠ DATE CODE BOITIER (HOUSING DATE CODE)
- ⚠ LOGO AMP OR Tyco Electronics (LAMP OR Tyco Electronics LOGO)
- ⚠ REFERENCE DU PRODUIT ASSEMBLE (ASST PART NUMBER)
- ⚠ REVISION DU MOULE (MOLD REVISION STATUS)
- ⚠ N° D'EMPEINTE DU MOULE (CAVITY MARKING)
- ⚠ MARQUAGE DE LA MATIERE: >PBT GF20< (MATERIAL IDENTIFICATION: >PBT GF20<)
- ⚠ COTE CAPABILITE (CAPABILITY DIMENSION)
- \* ACCEPTEE A 0.7 +0.1/-0.05 (9.7+0.1/-0.05 ALLOWED)

7. CONTRE-PARTIE: CONNECTEUR REF 185341 ET 185343 (MATING PART: CONNECTORS P/N 185341 AND 185343)

ASST P/N	185526-1	185526-2	185526-3				
11	11	11	CuSn6	CONTACT MOS 0.63x0.63	POST ETAME(Post fin)	④	
		1	PBT GF20	BOITIER CODAGE 3 (Housing coding 3)	MARRON (Brown)	②	
	1		PBT GF20	BOITIER CODAGE 2 (Housing coding 2)	BLEU (Blue)	③	
	1		PBT GF20	BOITIER CODAGE 1 (Housing coding 1)	NOIR (Black)	①	
QTE/QTY	MATIERE/MATERIAL	DESIGNATION/NAME	COULEUR/COLOR	REP.			



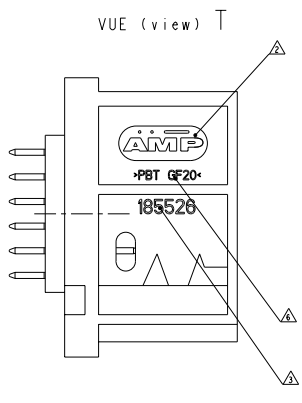
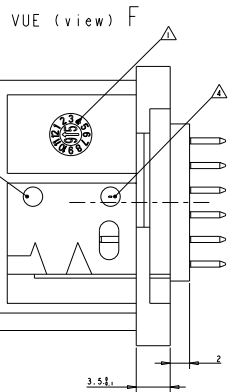
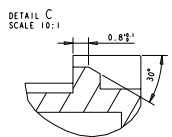
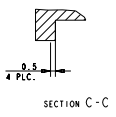
DATE	12/85	REVISIONS	128P2007	TYCO ELECTRONICS	Tyco Electronics France SAS
DESIGNED BY	J. LALANDE	DESIGNED BY	128P2007	EMBASE 12 VOIES MOS DROITE	95300 Pontecave, France
DATE	12/85	REVISIONS	128P2007	EMBASE 12 VOIES MOS DROITE	12W MOS STRAIGHT HEADER
SCALE	1:1	SCALE CODE	185526	REVISIONS	
CUSTOMER DRAWING		CUSTOMER DRAWING	A 00779 ©-185526	REVISIONS	



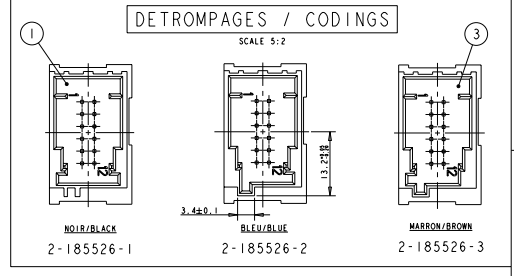
REV	DATE	DESCRIPTION	BY	CHK	APP
F	00	SEE SHEET 1			

ECHELLE 2:1 (SCALE)

- NOTES:
- △ DATE CODE BOITIER (HOUSING DATE CODE)
  - △ LOGO AMP OU Tyco Electronics (AMP OR Tyco Electronics LOGO)
  - △ REFERENCE DU PRODUIT ASSEMBLE (ASSEMBLY PART NUMBER)
  - △ REVISION DU MOULE (MOLD REVISION STATUS)
  - △ N° D'EMPREINTE DU MOULE (CAVITY MARKING)
  - △ MARQUAGE DE LA MATIERE: >PBT GF20< (MATERIAL IDENTIFICATION: >PBT GF20<)
  - ※ COTE CAPABILITE (CAPABILITY DIMENSION)
  - ※ ACCEPTEE A 9.7 ±0.1/-0.05 (9.7±0.1/-0.05 ALLOWED)
  - 7. CONTRE-PARTIE: CONNECTEUR REF 185341 ET 185343 (MATING PART: CONNECTORS P/N 185341 AND 185343)



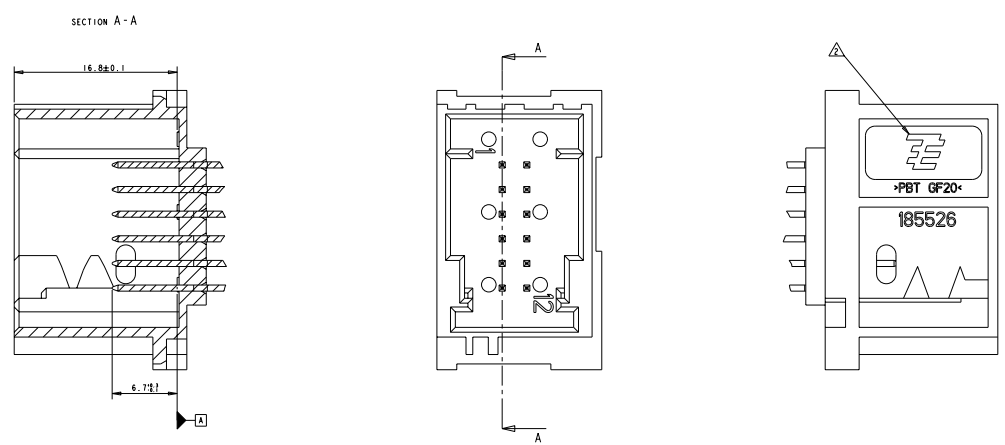
ASST	P/N	QTY	MATIERE/MATERIAL	DESIGNATION/NAME	COULEUR/COLOR	REP.
12	12	12	CuSn6	CONTACT MOS 0.63x0.63	POST ETAME (Post fini)	④
			PBT GF20	BOITIER CODAGE 3 (Housing coding 3)	MARRON (Brown)	③
			PBT GF20	BOITIER CODAGE 2 (Housing coding 2)	BLEU (Blue)	②
			PBT GF20	BOITIER CODAGE 1 (Housing coding 1)	NOIR (Black)	①



TYCO ELECTRONICS	125E22007	TYCO ELECTRONICS	125E22007	TYCO ELECTRONICS	125E22007	TYCO ELECTRONICS	125E22007	TYCO ELECTRONICS	125E22007
EMBASE 12 VOIES MOS DROITE	12W MOS STRAIGHT HEADER	EMBASE 12 VOIES MOS DROITE	12W MOS STRAIGHT HEADER	EMBASE 12 VOIES MOS DROITE	12W MOS STRAIGHT HEADER	EMBASE 12 VOIES MOS DROITE	12W MOS STRAIGHT HEADER	EMBASE 12 VOIES MOS DROITE	12W MOS STRAIGHT HEADER
00779	185526	00779	185526	00779	185526	00779	185526	00779	185526

NO	REV	DESCRIPTION	DATE	BY	CHK
00	00	SEE SHEET 1			

OTHER DESIGN ACCEPTED AVAILABLE FOR ALL VERSIONS  
 (AUTRES DESIGN ACCEPTES VALABLES POUR TOUTES LES VERSIONS)



FOR ALL OTHER DIMENSIONS AND SHAPES SEE SHEET 1/3 AND 2/3  
 ( POUR LES AUTRES DIMENSIONS ET FORMES VOIR FEUILLE 1/3 ET 2/3)

21AUG2009 LALANGE 21AUG2009		21AUG2009 LALANGE 21AUG2009		Type Electronics France SAS 93300 Pantec, France	
REFERENCE: 185526 185526		REFERENCE: 185526 185526		EMBASE 12 VOIES MOS DROITE 12W MOS STRAIGHT HEADER	
UNIT: mm 185526		UNIT: mm 185526		STATE: CAE CODE: 185526 A 00779 185526	
CUSTOMER DRAWING		CUSTOMER DRAWING		SHEET: 3 OF 3 185526	