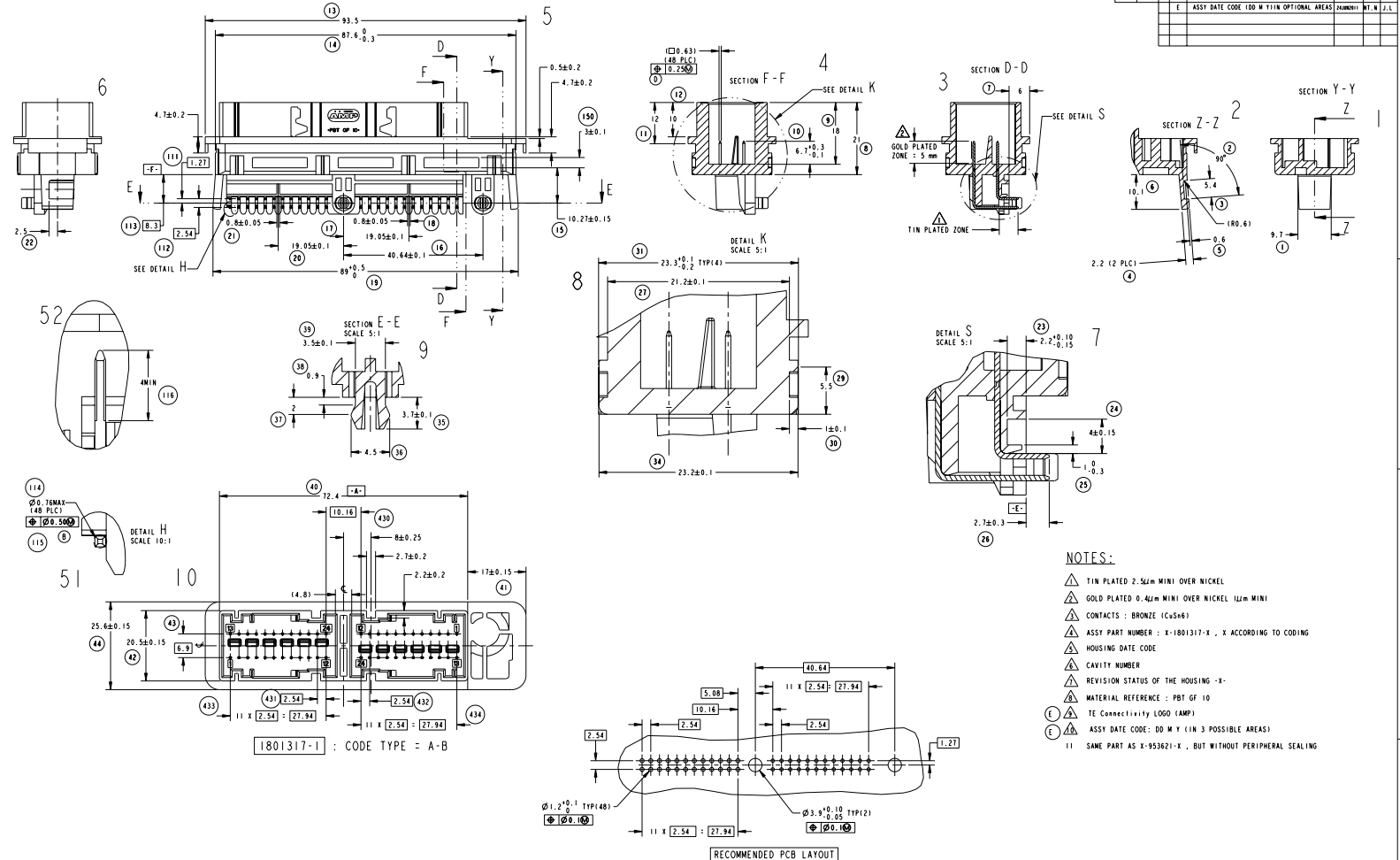


DATE REVISION TO IMPROVEMENTS RECEIVED FOR FABRICATION ALL RIGHTS RESERVED

REV	DATE	DESCRIPTION	BY	CHK	APPV
7		ASST DATE CODE 100 M Y 11M OPTIONAL AREAS			

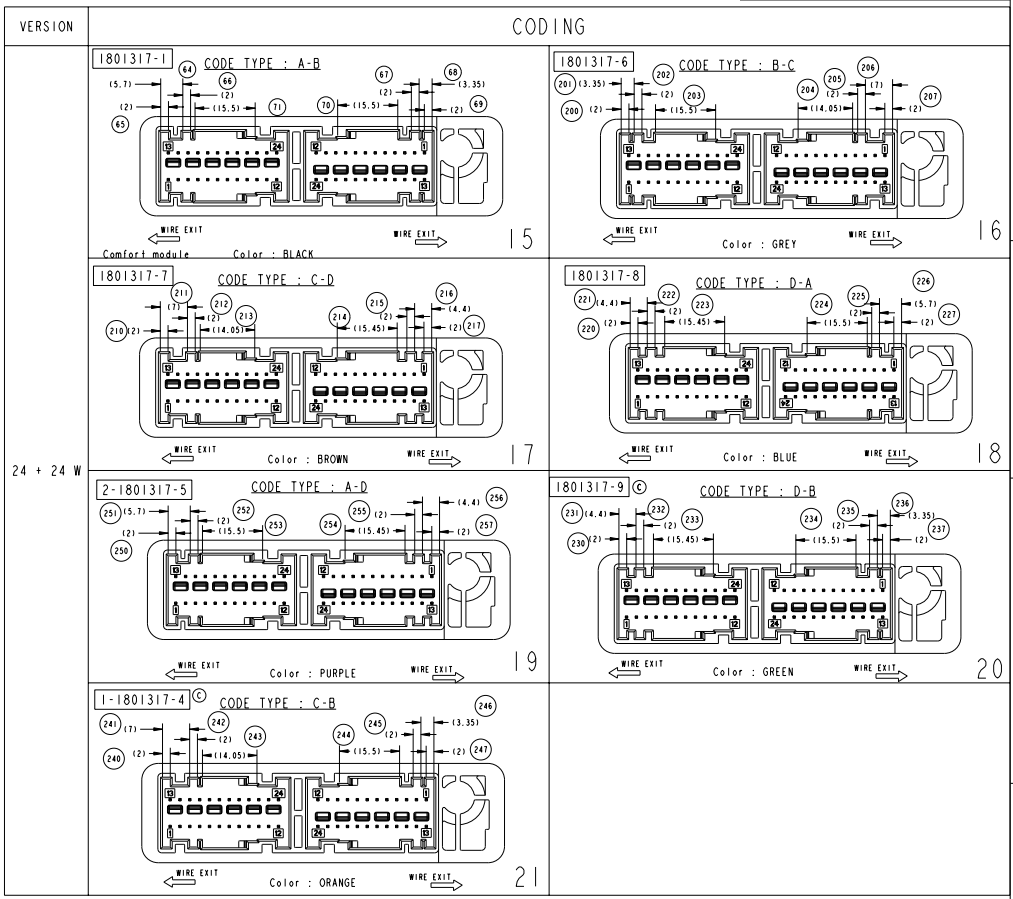
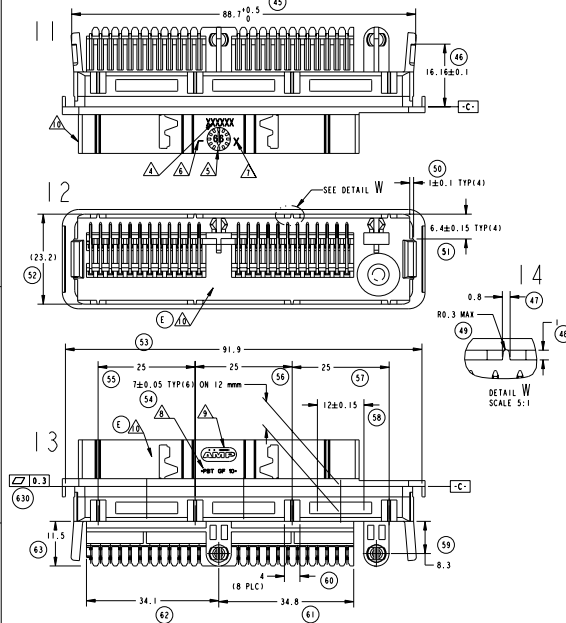


- NOTES:**
- ▲ TIN PLATED 2.5μm MINI OVER NICKEL
 - ▲ GOLD PLATED 0.4μm MINI OVER NICKEL 1/2μm MINI
 - ▲ CONTACTS : BRONZE (Cu586)
 - ▲ ASST PART NUMBER : X-1801317-X , X ACCORDING TO CODING
 - ▲ HOUSING DATE CODE
 - ▲ CAVITY NUMBER
 - ▲ REVISION STATUS OF THE HOUSING -X-
 - ▲ MATERIAL REFERENCE : PBT OF 10
 - ▲ TE Connectivity LOGO (CAMP)
 - ▲ ASST DATE CODE: DD M Y (IN 3 POSSIBLE AREAS)
 - 11 SAME PART AS X-953621-X , BUT WITHOUT PERIPHERAL SEALING

THIS DRAWING IS A CONTROLLED DOCUMENT.		REV: 7	DATE: 28 JUL 06		TE Connectivity
DESIGNED BY: J. LALANDE	DESIGNED BY: J. LALANDE	DATE: 28 JUL 06	DATE: 28 JUL 06		HEADER ASSY, 24+24 POSITIONS, RIGHT ANGLE, UNSEALED, MOS
DRAWN BY: J. LALANDE	DRAWN BY: J. LALANDE	DATE: 28 JUL 06	DATE: 28 JUL 06	STATE: CA CITY: FOLSOM, CA ZIP: 95630	PART NUMBER: 1801317-1 REV: 7
CHECKED BY: J. LALANDE	CHECKED BY: J. LALANDE	DATE: 28 JUL 06	DATE: 28 JUL 06	WEIGHT: 29.4g (-1.3)	PART NUMBER: 1801317-1 REV: 7
APPROVED BY: J. LALANDE	APPROVED BY: J. LALANDE	DATE: 28 JUL 06	DATE: 28 JUL 06	CUSTOMER DRAWING	PART NUMBER: 1801317-1 REV: 7

8	7	6	5	4	3	2	1
REVISIONS FOR FABRICATION							
ALL RIGHTS RESERVED							

REV	DATE	REVISIONS	BY	CHK	APP
F	7	SEE SHEET 1			



THIS DRAWING IS A CONTROLLED DOCUMENT.		REV. A	REV. 28 JUL 04
DESIGNED BY: P24156	DRAWN BY: JALAL	DATE: 25 SEP 00	
CHECKED BY: M.S.	APPROVED BY: JALAL	DATE: 188-18214	
DATE: 29. 4g (1-13)	CUSTOMER DRAWING	STATE CODE (DRAWING NO)	00778
		REVISION TO: 1801317	
		FIGURE: 2:1	3

REV	DATE	REVISIONS	BY	CHK	APP
7		SEE SHEET 1			

VERSION	CODING
24 W	<p>1801317-2 CODE TYPE : A</p> <p>LEFT SIDE WITHOUT PINS</p> <p>Basic module Color : BLACK WIRE EXIT</p> <p>22</p>
24 W	<p>1801317-3 CODE TYPE : B</p> <p>LEFT SIDE WITHOUT PINS</p> <p>Basic module Color : GREY WIRE EXIT</p> <p>23</p>
24 W	<p>1801317-4 CODE TYPE : C</p> <p>Color : BROWN WIRE EXIT</p> <p>24</p>

THIS DRAWING IS A CONTROLLED DOCUMENT.

REVISED BY: J. LALANDE	DATE: 27SEP2004
DESIGNED BY: J. LALANDE	DATE: 27SEP2004
APPROVED BY: J. LALANDE	DATE: 27SEP2004
DATE: 27SEP2004	TIME: 10:00
SCALE: 1:1	UNIT: MILLIMETER
WEIGHT: 29.4g (1.03oz)	STOCK CODE: 1801317
CUSTOMER DRAWING	1801317

STE TE Connectivity
 HEADER ASSY, 24x24 POSITIONS, RIGHT ANGLE, UNSEALED, MOS

STATE: CA CASE CODE: 1801317
 00778 ©-1801317

PAGE: 2 OF 3