

4

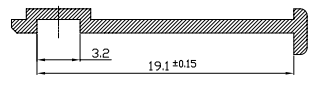
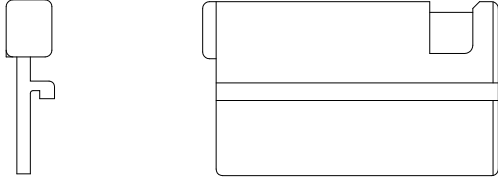
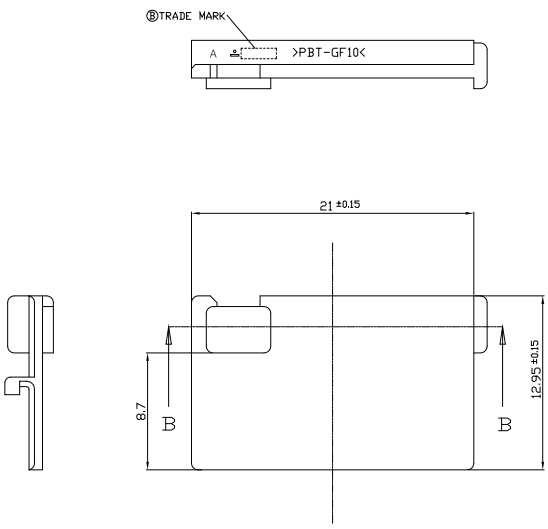
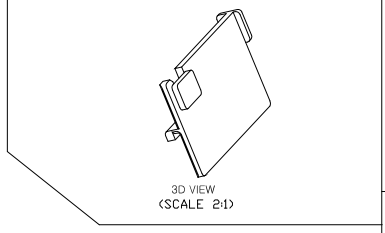
3

2

1

THIS DRAWING IS UNPUBLISHED. RELEASED FOR PUBLICATION  
 © COPYRIGHT BY TYCO ELECTRONICS CORPORATION. ALL RIGHTS RESERVED.

LOC	DIST	REV	DATE	BY	CHKD
DS	-	A	18/OCT/04	SB	CS
		B	21/JAN/11	JH	HG



SECTION B-B

NOTE  
 1. APPLIED PLUG CONNECTOR P/N : X-1743282-X

control priority dimension: <input checked="" type="checkbox"/> CRITICAL, <input checked="" type="checkbox"/> MAJOR, <input type="checkbox"/> MINOR <small>IF DIMENSIONS DO NOT SPECIFY TOLERANCES, REFER TO THE DRAWING DIMENSIONING PRACTICES FOR DIMENSIONING PRACTICES.</small>		1	MQS, SHIELD, 8 POS	B	0-1743283-1	PBT-GF10	NATURAL
DIMENSIONS: mm	TOLERANCES UNLESS OTHERWISE SPECIFIED: DECIMALS = 0.3 ANGLES = 3°	NO	DESCRIPTION	CODE	P/N	MATERIAL	COLOR/FINISH
3rd ANGLE PROJECTION	FINISH	P/N - JH CHD		CHK - KT LHM		NAME	
MATERIAL		P/N - HG CHD		PRODUCT SPEC		MQS, SHIELD, 8 POS.	
PBT-GF10		APPLICATION SPEC		SIZE		RESTRICTED TO	
		WEIGHT		A200779		DRAWING NO	
				C-1743283		P/N	
				SCALE		SHEET	
				5/1		1 OF 1	
						REV B	