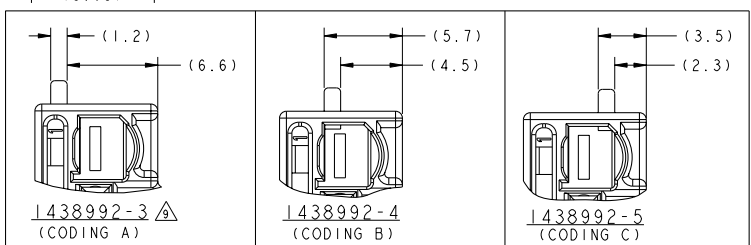
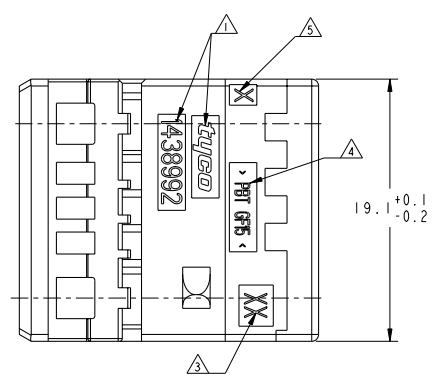
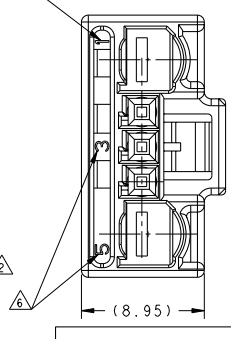
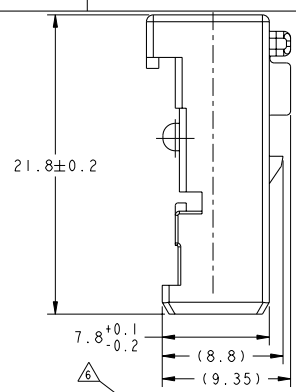
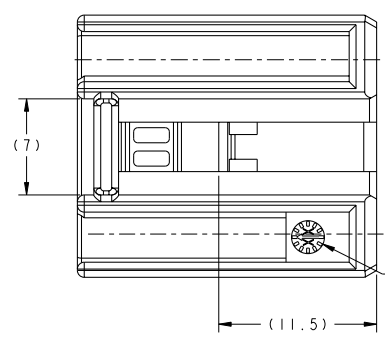
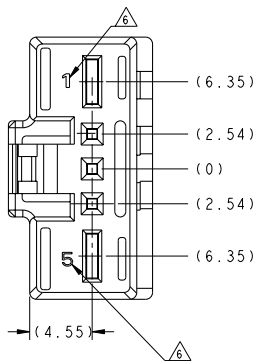


THIS DRAWING IS UNPUBLISHED. RELEASED FOR PUBLICATION BY TYCO ELECTRONICS CORPORATION. ALL RIGHTS RESERVED. COPYRIGHT 20

- NOTES:
- 1 LOGO & TYCO P/N 1438992
  - 2 DATE CODE
  - 3 REVISION STATUS OF THE MOLD.
  - 4 MATERIAL IDENTIFICATION
  - 5 CAVITY NUMBER
  - 6 CIRCUIT IDENTIFICATION
  - 7. FOR THE CONNECTOR INTERFACE, SEE DRAWING 208-15621.
  - 8. CODING Z SHOWN
  - 9 PRELIMINARY, NOT RELEASED FOR PRODUCTION.

LOC		DIST		REVISIONS			
P	LYN	DESCRIPTION	DATE	BY	APPD		
0		REV PER ECR-05-014703	03NOV2005	MBH	BB		
A		REV PER ECR-07-004077, RELEASE 4, 5	22FEB2007	ML	JS		



C	1438992-5	BLUE	
B	1438992-4	WHITE	
A	1438992-3	BLACK	9
NEUTRAL (Z)	1438992-2	WHITE	9
	1438992-1	BLACK	
KEY	TYCO P/N (REF. TYCO)	COLOR	

DIMENSIONS: mm		DATE: 21FEB2005		TYCO ELECTRONICS Harrisburg, PA 17105-3608	
MATERIAL: PBT-GF10		DESIGNER: M. HILCHUCK		DRAWING NO: 1438992	
FINISH:		CHECKER: B. BUCHTER		SCALE: 1:1	
WEIGHT: 1.80g		APPROVER: R. ADAMS		SHEET: 1 OF 1	
CUSTOMER DRAWING		PRODUCT SPEC: 108-15315		REV: A	
		APPLICATION SPEC:		RESTRICTED TO:	
		STAMP CASE CODE: A200779		5-WAY (MOS 3W + MPO 2W) SOCKET HOUSING	