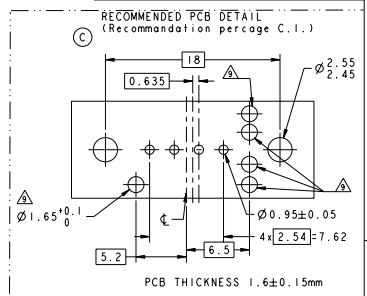
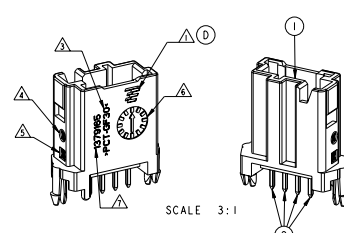
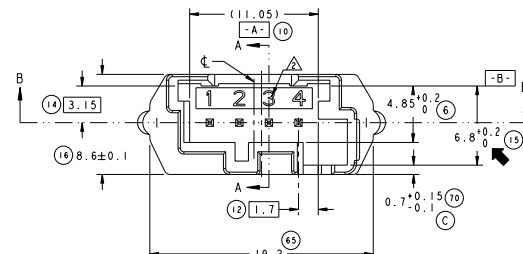
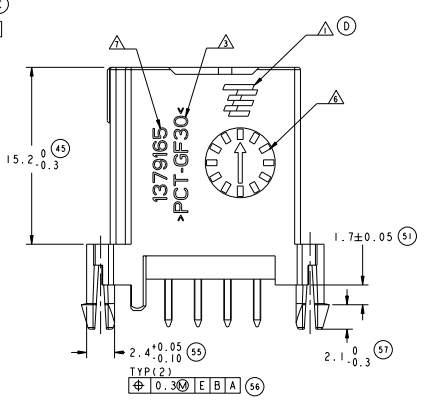
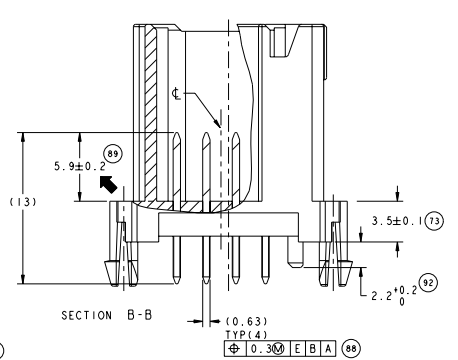
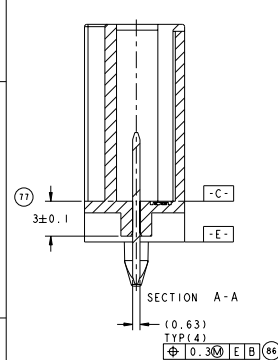
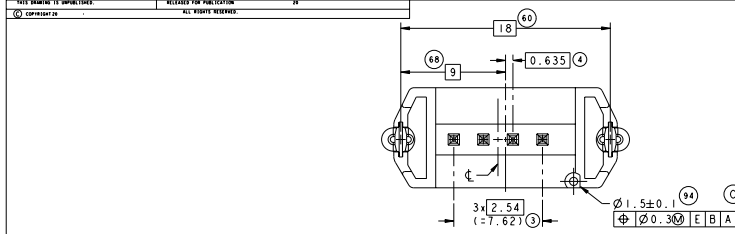


DATE REVISIONS TO IMPLEMENTED REVISIONS FOR FABRICATION ALL RIGHTS RESERVED

REV	DATE	DESCRIPTION	BY	CHK	APP
00					
D		CHANGE TE LOGO	21/04/2018	OB	OB
D1		MARKINGS UPDATE	27/07/2011	OB	OB



1379165-3 AS SHOWN

- NOTES:
- ▲ TE STAMP  
Logo TE
  - ▲ CAVITY IDENTIFICATION 1,2,3,4  
Repere d'oliveole 1,2,3,4
  - ▲ MATERIAL IDENTIFICATION  
Marquage matiere
  - ▲ MOLD REVISION STATUS  
Indice de revision de moule
  - ▲ MOLD CAVITY NUMBER  
Numero d'empreinte du moule
  - ▲ DATE CODE  
dateur
  - ▲ TE PN  
Reference TE
  - 8 PCB THICKNESS  
Epaisseur CI: 1.6mm
  - ▲ OPTIONAL HOLE DEPENDING ON CODING  
Trou optionnel dependant du codage
  - ↖ CAPABILITY DIMENTIONS  
cotes pour capabilities

KEYING TABLE (Table de detrompage) (C)

	1	2	3	4	5	6	7
COLOR	BLACK (NOIR)	WHITE (BLANC)	BLUE (BLEU)	YELLOW (JAUNE)	GRAY (GRIS)	BROWN (MARRON)	BLACK (NOIR)
PN WITH PACKAGING ON TRAY	1379165-1	1379165-2	1379165-3	1379165-4	1379165-5	1379165-6	1379165-7
PN WITH PACKAGING ON STICK	1379165-1	1379165-2	1-1379165-3	1379165-4	1-1379165-5	1379165-6	1379165-7

SEE TABLE Voir table	SEE TABLE Voir table	4	PIN MOS	CuSn6	2
ASSEMBLY PN PN emsemble	COLOR couleur	QTY qte	DESIGNATION	MATERIAL Matiere	ITEM rep
			4W MOS HEADER Embase 4V MOS	PCT GF30X	1

THIS DRAWING IS A CONTROLLED DOCUMENT. **STC** 419EC2008

REVISION: 00  
 DATE: 21/04/2018  
 BY: OB  
 CHECKED: OB  
 APPROVED: OB

TE Connectivity  
 4W MOS HEADER  
 POSITIVE MATE

STAY SAFE CODE (WARNING NO)  
 A 00779 ©-1379165

CUSTOMER DRAWING