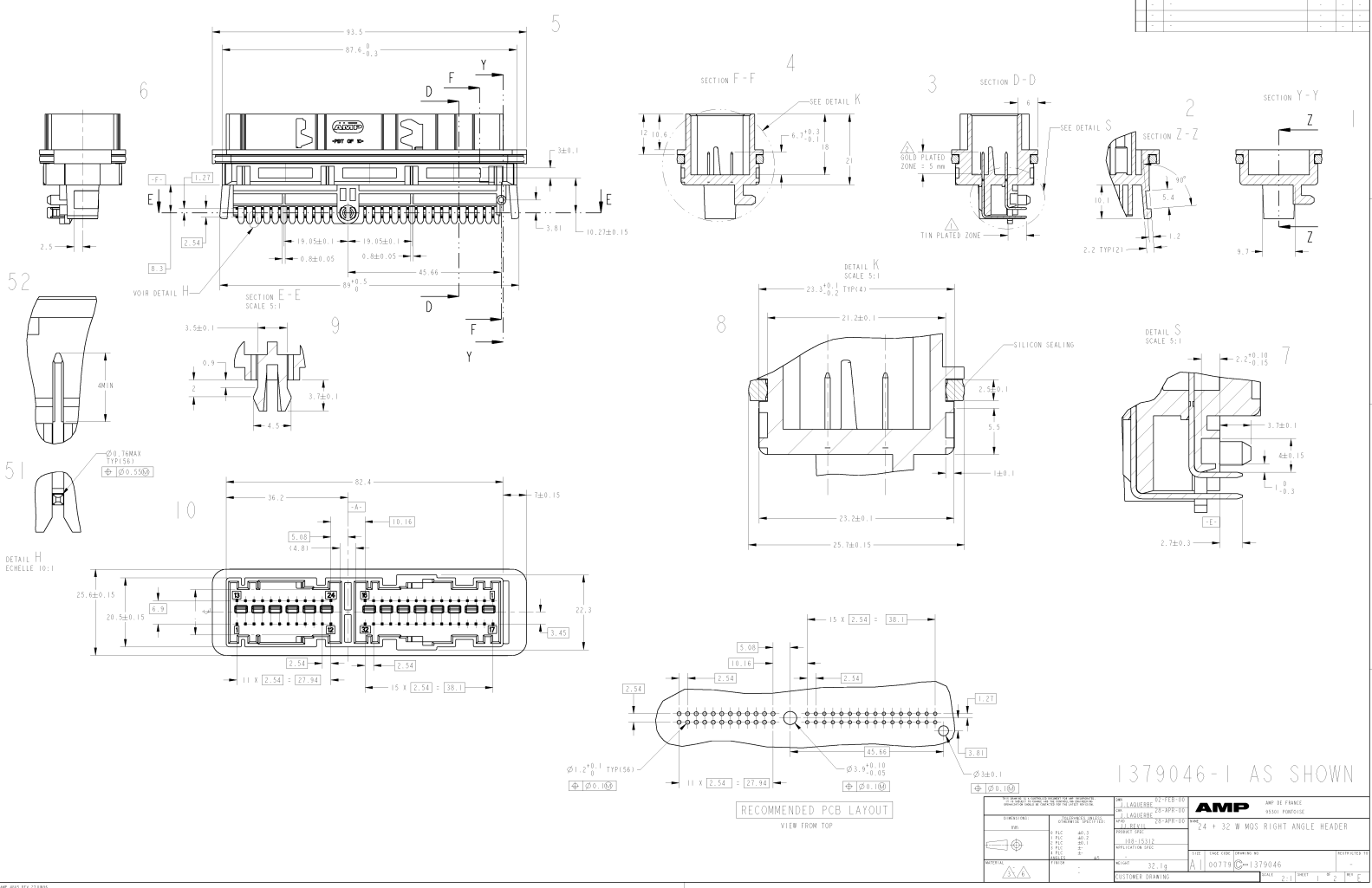


8	7	6	5	4	3	2	1
REVISED FOR FABRICATION	REVISED FOR FABRICATION						
03 03/2006 14	03 04/2006 14	03 05/2007 14					

REV	DATE	DESCRIPTION	BY	CHK	APP
7	14	UPDATE TOLERANCES	01/08/09	JLG	
6	14	REMOVE LAST LINE	20/09/09	EM	JLG
5	14	ROUND SHARP EDGES ON PCB SIDE	03/09/09	JLG	
4	14	ADD THE NEW CODINGS 1379046-27-37-41-5	03/09/09	MT N	J.L.
3	14	MAKE OFFICIAL THE PINS 1379046-37-47-5	03/09/09	MT N	J.L.
2	14				
1	14				

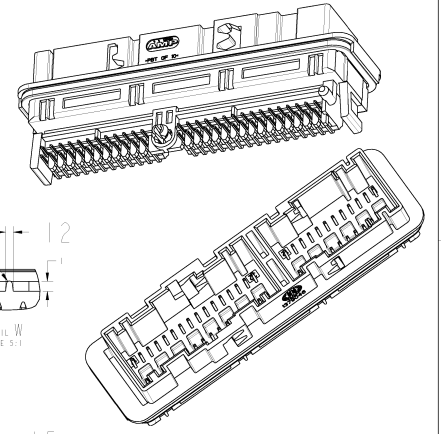
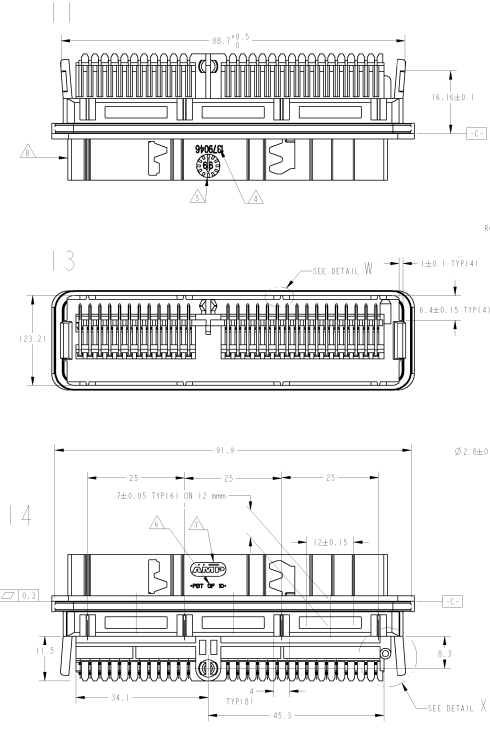
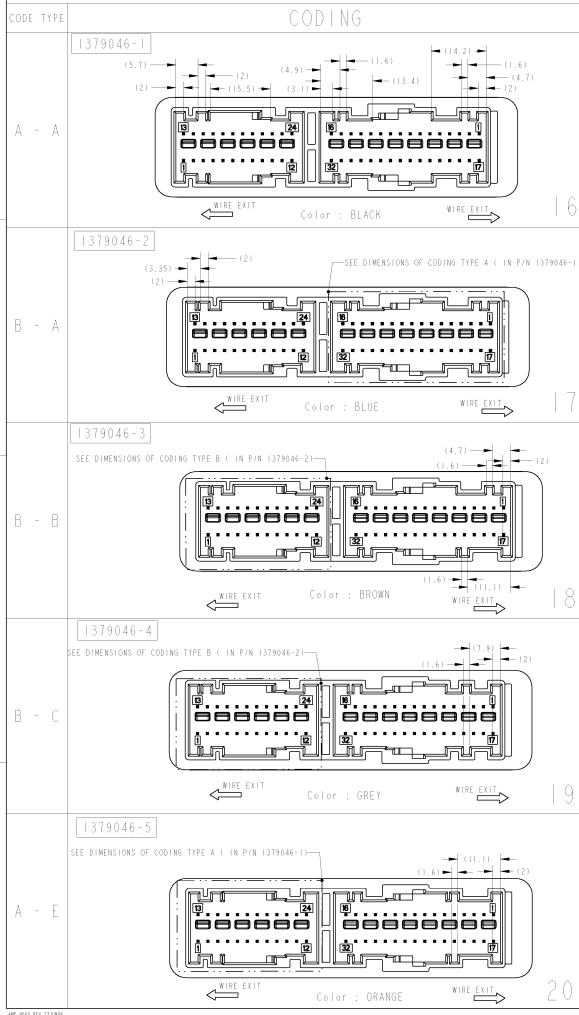


1379046-1 AS SHOWN

MATERIAL: AMP PART: 24 + 32 W MOS RIGHT ANGLE HEADER		AMP 24 + 32 W MOS RIGHT ANGLE HEADER MADE IN FRANCE	
ORDERING INFORMATION: PART: 1379046-1 REV: 14 DATE: 03/09/09	MANUFACTURING INFORMATION: PART: 1379046-1 REV: 14 DATE: 03/09/09	WEIGHT: 32.1 g MATERIAL: 1379046-1	CUSTOMER DRAWING: 00779 (2)-1379046 DATE: 2/11/04

8	7	6	5	4	3	2	1
DATE APPROVED BY: [Signature]	REVISIONS FOR FACILITIES:						
(3) CONTINUED ON	(3) AMP DOCUMENTS: SEE PART NUMBER						

REV	DATE	DESCRIPTION	BY	CHK	APP
7	1/11	SEE SHEET 1			



NOTES:

- ▲ TIN PLATED 2.5μm MINI OVER NICKEL
- ▲ GOLD PLATED 0.4μm MINI OVER NICKEL 12μm MINI
- ▲ CONTACTS : BRONZE (Cu58Ag)
- ▲ ASSY PART NUMBER : 1379046
- ▲ HOUSING DATE CODE
- ▲ MATERIAL REFERENCE : PBT GF 10
- ▲ AMP LOGO
- ▲ ASSY DATE CODE: DD N Y
- ▲ MATERIAL FOR SEALING : 50±5 SHORE A

AMP 1379046-1 24 + 32 W MOS RIGHT ANGLE HEADER	AMP AMP 30 FRANCE 1379046	DATE: 00/779 PART: 2-11	DRAWN BY: [Signature] CHECKED BY: [Signature]
---	--	----------------------------	--