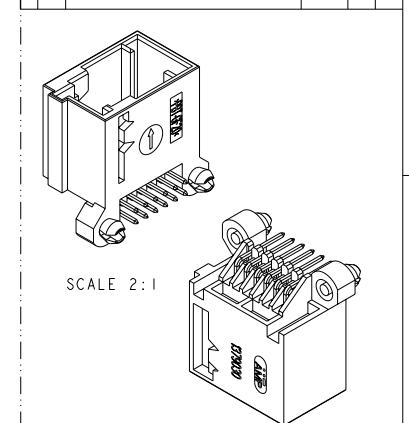


REVISIONS				
REV	DESCRIPTION	DATE	BY	APPV
C	SAME AXIS FOR PINS AND BOARDLOCKS	22FEB2010	AD	JL



- NOTE:**
- ACCORDING TO TE SPECS 208-15544 AND 208-15574. (en accord avec les specs TE 208-15544 et 208-15574).
 - EXCHANGEABLE MANUFACTURING DATE. (date de fabrication échangeable).
 - STAMP. (logo).
 - ASS'Y PART NUMBER. (reference du produit assemble).
 - MOLD CAVITY IDENTIFICATION NUMBER. (numero d'empreinte moule boitier).
 - CAVITY MARKING. (repere alveole).
 - MATERIAL IDENTIFICATION. (identification de la matiere).
 - ASS'Y DATE CODE. (date d'assemblage).
- MARKING:**
- EXCHANGEABLE MANUFACTURING DATE. (date de fabrication échangeable).
 - STAMP. (logo).
 - ASS'Y PART NUMBER. (reference du produit assemble).
 - MOLD CAVITY IDENTIFICATION NUMBER. (numero d'empreinte moule boitier).
 - CAVITY MARKING. (repere alveole).
 - MATERIAL IDENTIFICATION. (identification de la matiere).
 - ASS'Y DATE CODE. (date d'assemblage).

FINISH (finition)	MATERIAL (matiere)	DESCRIPTION	REP	QTY (qte)	1379030-1	1379030-3
POST-TIN (post-étame)	CuSn6	SHORT PIN MQS (broche MOS courte)	③	6	6	6
POST-TIN (post-étame)	CuSn6	LONG PIN MQS (broche MOS longue)	②	6	6	6
MARRON (brown)	PBT 20XGF	HEADER (embase)	④	-	-	1
BLUE (bleu)	PBT 20XGF	HEADER (embase)	①	1	-	-

DIMENSIONS: mm OPERATING SPEC: 0-50.30 V, 0-15°	DWG: A. DUPUIS, 21-JAN-00 CDR: LAQUERRE, 21-JAN-00 APPR: REV 11, 21-JAN-00 PRODUCT SPEC: - APPLICATION SPEC: -	Tyco Electronics France SAS 95300 Pantouffe, France 12 WAYS MQS RIGHT ANGLE HEADER (EMBASE COUDEE MQS 12 BROCHES)	SIZE: A2 CAGE CODE: 00779 DRAWING NO: 1379030 RESTRICTED TO: -
MATERIAL: SEE TABLE	FINISH: SEE TABLE	WEIGHT: -	CUSTOMER DRAWING