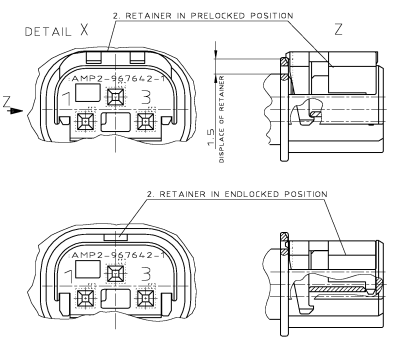


CONDITION ON DELIVERY



- SUITABLE FOR SOCKET CONTACT FOR SINGLE WIRE SEALING : SEE TABLE-1
 - SHROUDED CONNECTION DRAWING : 114-18063-13
 - SUITABLE FOR WIRE SIZE RANGE : 0.2~0.75mm²
 - PRODUCT SPECIFICATION 108-18272
 - INSTRUCTION SHEET NO. 114-18061
- ▲ WARPAGE -0.5 PERMITTED

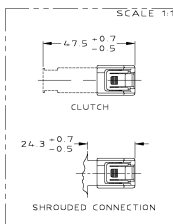
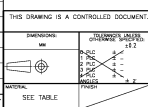


TABLE-1

FINISH	APPLICABLE RECEPTACLE AMP P/N	APPLICABLE WIRE RANGE (mm ²)	SINGLE WIRE SEALING
Sn	962885-1	0.2	967067-2
Au	962885-5	0.35	
Sn	965906-1	0.5	967067-1
Au	965906-5	0.75	

AMP PART NO	CODING	ITEM	PART NAME	AMP PART NO	MATERIAL	COLOR	QUANTITY
1376235-2	B	①	PROTECTIVE COVER 3 POS.	1376234-1	PBT-GF10	BLACK	1
		②	SEALING	967080-1	SILICON RUBBER	NATURAL	1
		③	RETAINER	968401-1	PBT-GF15	GREEN	1
		④	SOCKET HSG. POS.	2-968403-1	PBT-GF15	GRAY	1
		⑤	PROTECTIVE COVER 3 POS.	1376234-1	PBT-GF10	BLACK	1
1376235-1	A	①	SEALING	967080-1	SILICON RUBBER	NATURAL	1
		②	RETAINER	968401-1	PBT-GF15	GREEN	1
		③	SOCKET HSG. 3 POS.	1-968403-1	PBT-GF15	BLACK	1



THIS DRAWING IS A CONTROLLED DOCUMENT.

AMP
 AMP ELECTRONICS
 114-18272
 114-18025
 3.8 g

Yield Electronics AMP K&L
 Kawasaki/Japan
 MOS SOCKET HOUSING
 3POS ASSY

SEE: 100778
 1376235