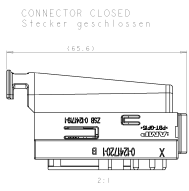
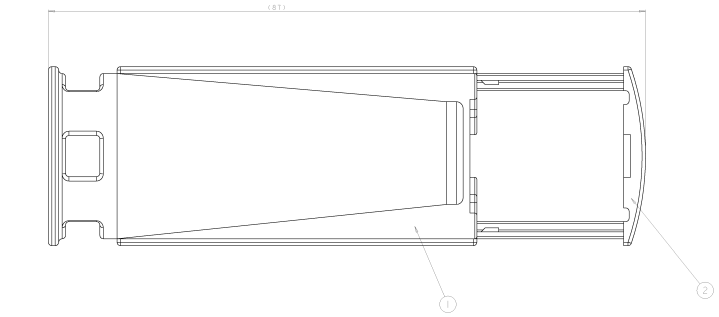
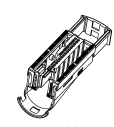
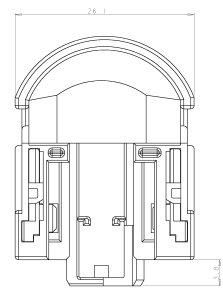
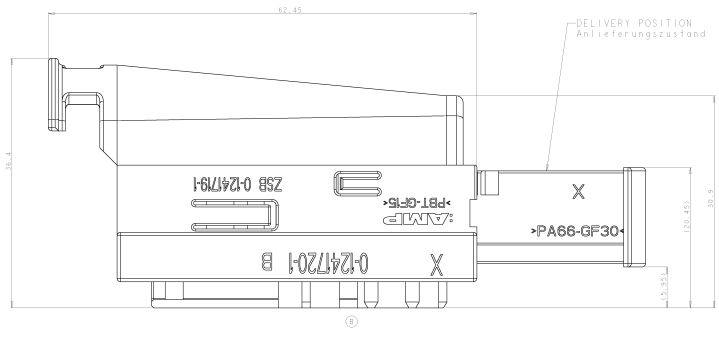
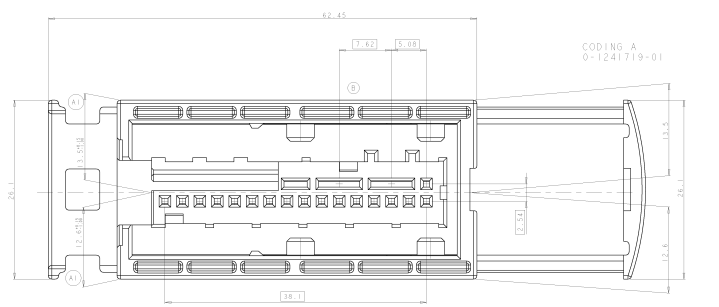


PROJEKT NO.	REV.	REVISION	DATE
ASB-52140	2		
0409229			



REV.	DESCRIPTION
A1	0-1355585-1 18+POS MODULI PINHEADER WITH SHORT CIRCUIT BRIDGE, 180° VERSION
	0-1241720-1 18+POS MOD. RECEPTACLE HOUSING
	ORDER NUMBER DESCRIPTION
	DESIGN NUMBER BESCHREIBUNG
	COUNTERPARTS GEGENSTECKER

- NOTES
Bemerkungen
- △ AMP LOGO
 - △ ORDER NUMBER
 - △ REVISIONS NUMBER
 - △ CUSTOMER LOGO
 - △ CUSTOMER MARKING
 - △ CUSTOMER SIGN.
 - △ PACKAGING IN CARTON
 - △ MATERIAL MARKING
 - △ PRODUCT ION-DATE

REV.	DESCRIPTION	MATERIAL	SURFACE COLOR	ITEM NO.
0-1241719-1	COVER CODING A	P81-0F15	BLACK	2
0-1241719-1	COVER CODING A	P81-0F16	BLACK	1

REV.	DESCRIPTION	MATERIAL	SURFACE COLOR	ITEM NO.
0-1241719-1	COVER CODING A	P81-0F15	BLACK	2
0-1241719-1	COVER CODING A	P81-0F16	BLACK	1