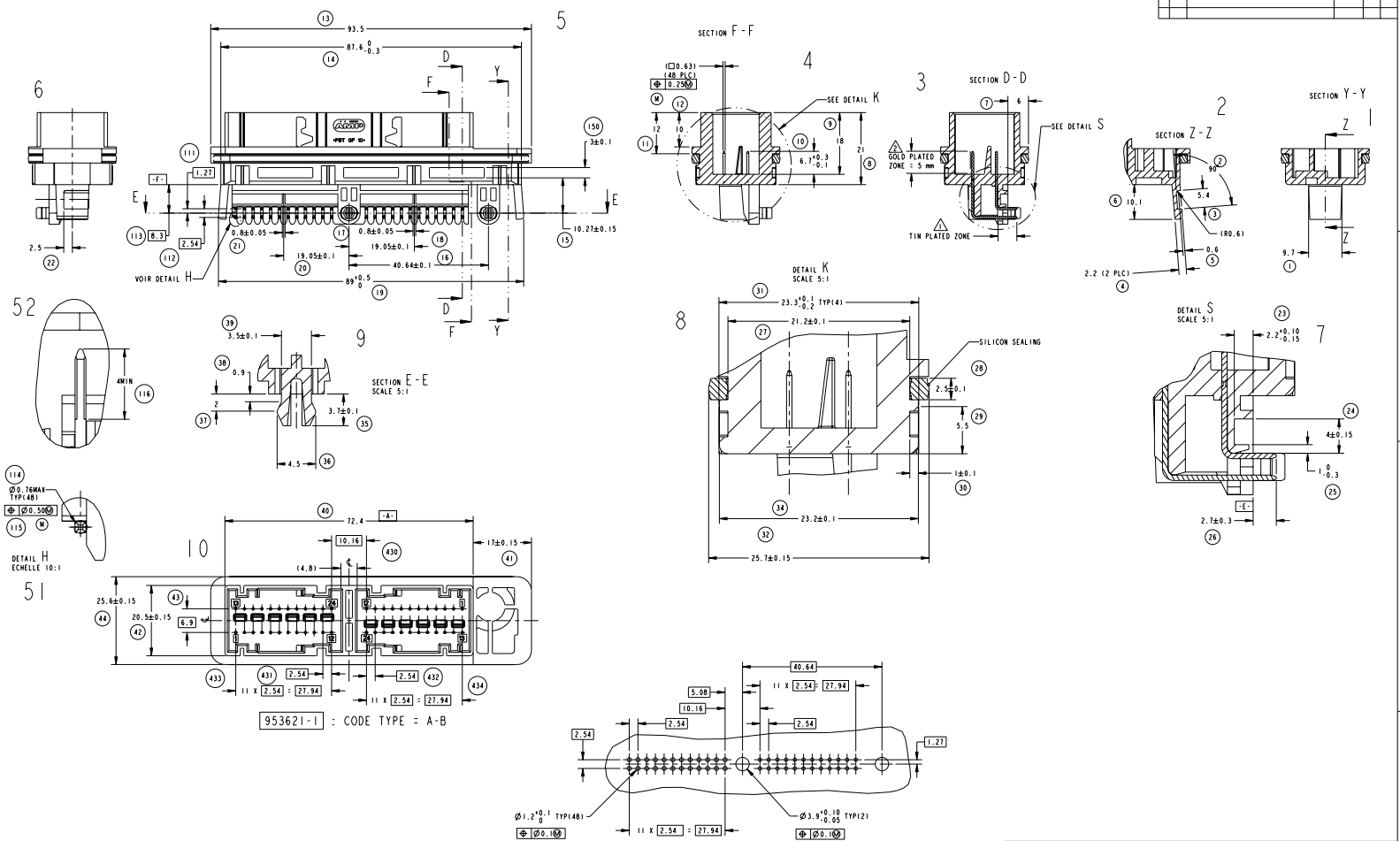
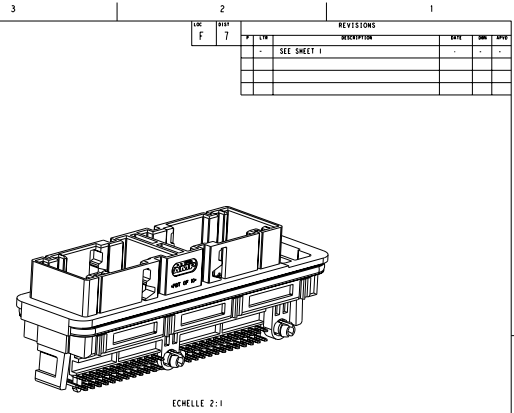
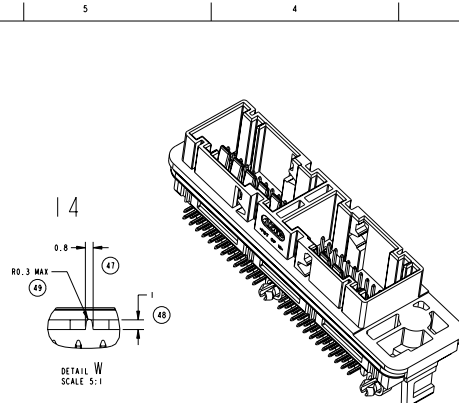
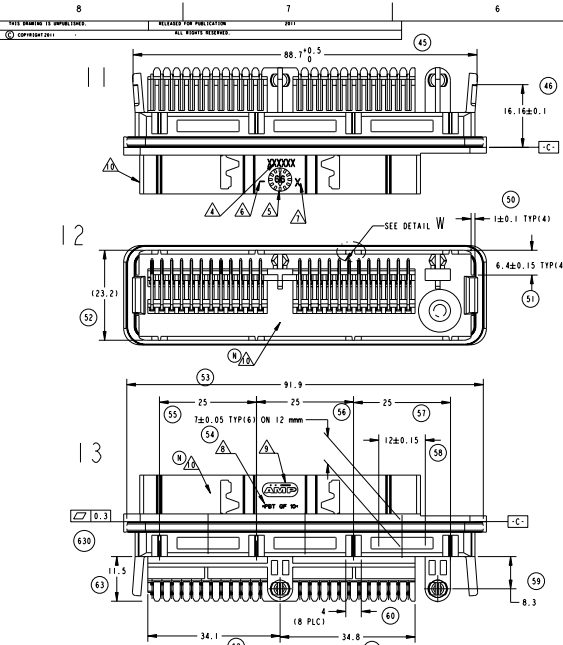


REV	DATE	DESCRIPTION	BY	CHK	APPV
F	7	N	ASST DATE CODE 100 M TYP IN OPTIONAL AREAS	FLUNDSH	BT, N J, L



THIS DRAWING IS A CONTROLLED DOCUMENT.		1. REVISION: TREC 08 2. REVISION: TREC 08 3. REVISION: TREC 08 4. REVISION: TREC 08 5. REVISION: TREC 08 6. REVISION: TREC 08 7. REVISION: TREC 08 8. REVISION: TREC 08 9. REVISION: TREC 08 10. REVISION: TREC 08 11. REVISION: TREC 08 12. REVISION: TREC 08 13. REVISION: TREC 08 14. REVISION: TREC 08 15. REVISION: TREC 08 16. REVISION: TREC 08 17. REVISION: TREC 08 18. REVISION: TREC 08 19. REVISION: TREC 08 20. REVISION: TREC 08 21. REVISION: TREC 08 22. REVISION: TREC 08 23. REVISION: TREC 08 24. REVISION: TREC 08 25. REVISION: TREC 08 26. REVISION: TREC 08 27. REVISION: TREC 08 28. REVISION: TREC 08 29. REVISION: TREC 08 30. REVISION: TREC 08 31. REVISION: TREC 08 32. REVISION: TREC 08 33. REVISION: TREC 08 34. REVISION: TREC 08 35. REVISION: TREC 08 36. REVISION: TREC 08 37. REVISION: TREC 08 38. REVISION: TREC 08 39. REVISION: TREC 08 40. REVISION: TREC 08 41. REVISION: TREC 08 42. REVISION: TREC 08 43. REVISION: TREC 08 44. REVISION: TREC 08 45. REVISION: TREC 08 46. REVISION: TREC 08 47. REVISION: TREC 08 48. REVISION: TREC 08 49. REVISION: TREC 08 50. REVISION: TREC 08 51. REVISION: TREC 08 52. REVISION: TREC 08 53. REVISION: TREC 08 54. REVISION: TREC 08 55. REVISION: TREC 08 56. REVISION: TREC 08 57. REVISION: TREC 08 58. REVISION: TREC 08 59. REVISION: TREC 08 60. REVISION: TREC 08 61. REVISION: TREC 08 62. REVISION: TREC 08 63. REVISION: TREC 08 64. REVISION: TREC 08 65. REVISION: TREC 08 66. REVISION: TREC 08 67. REVISION: TREC 08 68. REVISION: TREC 08 69. REVISION: TREC 08 70. REVISION: TREC 08 71. REVISION: TREC 08 72. REVISION: TREC 08 73. REVISION: TREC 08 74. REVISION: TREC 08 75. REVISION: TREC 08 76. REVISION: TREC 08 77. REVISION: TREC 08 78. REVISION: TREC 08 79. REVISION: TREC 08 80. REVISION: TREC 08 81. REVISION: TREC 08 82. REVISION: TREC 08 83. REVISION: TREC 08 84. REVISION: TREC 08 85. REVISION: TREC 08 86. REVISION: TREC 08 87. REVISION: TREC 08 88. REVISION: TREC 08 89. REVISION: TREC 08 90. REVISION: TREC 08 91. REVISION: TREC 08 92. REVISION: TREC 08 93. REVISION: TREC 08 94. REVISION: TREC 08 95. REVISION: TREC 08 96. REVISION: TREC 08 97. REVISION: TREC 08 98. REVISION: TREC 08 99. REVISION: TREC 08 100. REVISION: TREC 08	TE Connectivity TE HEADERS, CONNECTORS, AND ASSY. 24 + 24 POSITIONS RIGHT ANGLE .MDS 30.5g (-13) A 00779 ©-953621 CUSTOMER DRAWING
--	--	--	--



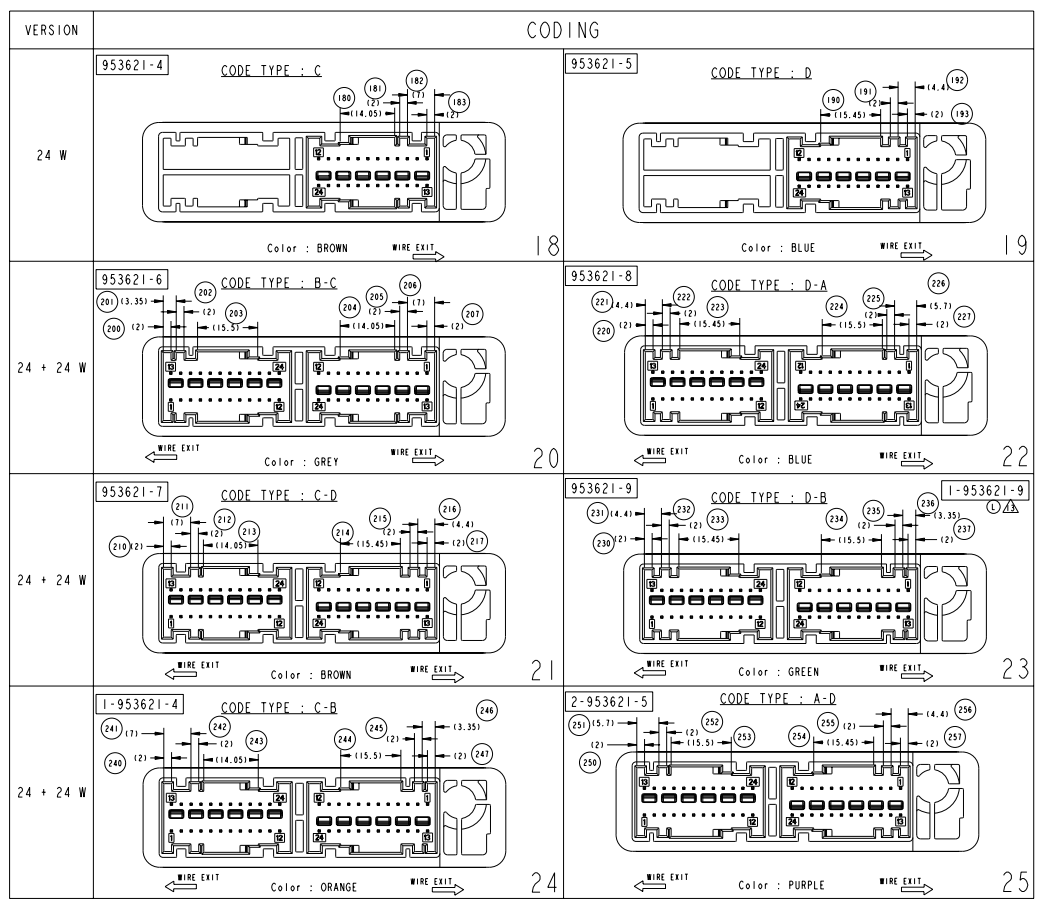
REV	DATE	REVISIONS
F	7	DESCRIPTION
		DATE
		BY
		CHK
		APP

- NOTES:
- △ TIN PLATED 2.5µm MINI OVER NICKEL
 - △ GOLD PLATED 0.4µm MINI OVER NICKEL 12µm MINI
 - △ CONTACTS : BRONZE (Cu546)
 - △ ASSY PART NUMBER : 953621-x , x ACCORDING TO CODING
 - △ HOUSING DATE CODE
 - △ CAVITY NUMBER
 - △ REVISION STATUS OF THE HOUSING -X-
 - △ MATERIAL REFERENCE : PBT GF 10
 - Ⓜ TE Connectivity LOGO (AMP)
 - Ⓝ ASSY DATE CODE: DD M Y (IN 3 POSSIBLE AREAS)
 - 11 MATERIAL FOR SEALING : 5025 SHORE A
 - △ FOR THE PART NUMBER 1-953621-1, THE PART NUMBER MARKING ON THE PLASTIC HOUSING : 953621-1.
 - △ FOR THE PART NUMBER 1-953621-9, THE PART NUMBER MARKING ON THE PLASTIC HOUSING : 953621-9.

VERSION	CODING
24 + 24 W	<p>953621-1 CODE TYPE : A-B</p> <p>15: Comfort module Color : BLACK</p>
24 W	<p>953621-2 CODE TYPE : A</p> <p>17: Basic module Color : BLACK</p> <p>953621-3 CODE TYPE : B</p> <p>16: Basic module Color : GREY</p>

THIS DRAWING IS A CONTROLLED DOCUMENT.		11. ACCEPTED / TRACC' RE 12. LAZIENDE / TRACC' RE 13. LABEL / TRACC' RE 14. LABEL / TRACC' RE 15. LABEL / TRACC' RE 16. LABEL / TRACC' RE 17. LABEL / TRACC' RE 18. LABEL / TRACC' RE 19. LABEL / TRACC' RE 20. LABEL / TRACC' RE 21. LABEL / TRACC' RE 22. LABEL / TRACC' RE 23. LABEL / TRACC' RE 24. LABEL / TRACC' RE 25. LABEL / TRACC' RE 26. LABEL / TRACC' RE 27. LABEL / TRACC' RE 28. LABEL / TRACC' RE 29. LABEL / TRACC' RE 30. LABEL / TRACC' RE 31. LABEL / TRACC' RE 32. LABEL / TRACC' RE 33. LABEL / TRACC' RE 34. LABEL / TRACC' RE 35. LABEL / TRACC' RE 36. LABEL / TRACC' RE 37. LABEL / TRACC' RE 38. LABEL / TRACC' RE 39. LABEL / TRACC' RE 40. LABEL / TRACC' RE 41. LABEL / TRACC' RE 42. LABEL / TRACC' RE 43. LABEL / TRACC' RE 44. LABEL / TRACC' RE 45. LABEL / TRACC' RE 46. LABEL / TRACC' RE 47. LABEL / TRACC' RE 48. LABEL / TRACC' RE 49. LABEL / TRACC' RE 50. LABEL / TRACC' RE 51. LABEL / TRACC' RE 52. LABEL / TRACC' RE 53. LABEL / TRACC' RE 54. LABEL / TRACC' RE 55. LABEL / TRACC' RE 56. LABEL / TRACC' RE 57. LABEL / TRACC' RE 58. LABEL / TRACC' RE 59. LABEL / TRACC' RE 60. LABEL / TRACC' RE 61. LABEL / TRACC' RE 62. LABEL / TRACC' RE 63. LABEL / TRACC' RE 64. LABEL / TRACC' RE 65. LABEL / TRACC' RE 66. LABEL / TRACC' RE 67. LABEL / TRACC' RE 68. LABEL / TRACC' RE 69. LABEL / TRACC' RE 70. LABEL / TRACC' RE 71. LABEL / TRACC' RE 72. LABEL / TRACC' RE 73. LABEL / TRACC' RE 74. LABEL / TRACC' RE 75. LABEL / TRACC' RE 76. LABEL / TRACC' RE 77. LABEL / TRACC' RE 78. LABEL / TRACC' RE 79. LABEL / TRACC' RE 80. LABEL / TRACC' RE 81. LABEL / TRACC' RE 82. LABEL / TRACC' RE 83. LABEL / TRACC' RE 84. LABEL / TRACC' RE 85. LABEL / TRACC' RE 86. LABEL / TRACC' RE 87. LABEL / TRACC' RE 88. LABEL / TRACC' RE 89. LABEL / TRACC' RE 90. LABEL / TRACC' RE 91. LABEL / TRACC' RE 92. LABEL / TRACC' RE 93. LABEL / TRACC' RE 94. LABEL / TRACC' RE 95. LABEL / TRACC' RE 96. LABEL / TRACC' RE 97. LABEL / TRACC' RE 98. LABEL / TRACC' RE 99. LABEL / TRACC' RE 100. LABEL / TRACC' RE
DRAWING NO. REV. DATE BY CHECKED BY APPROVED BY MATERIAL	953621-1 1-953621-1 30.5g (-13)	TE Connectivity ASSY 24 + 24 POSITIONS RIGHT ANGLE .MOS STATE CASE CODE DRAWING NO 00778 ©-953621 CUSTOMER DRAWING

REV	DATE	DESCRIPTION	BY	CHK
7		SEE SHEET 1		

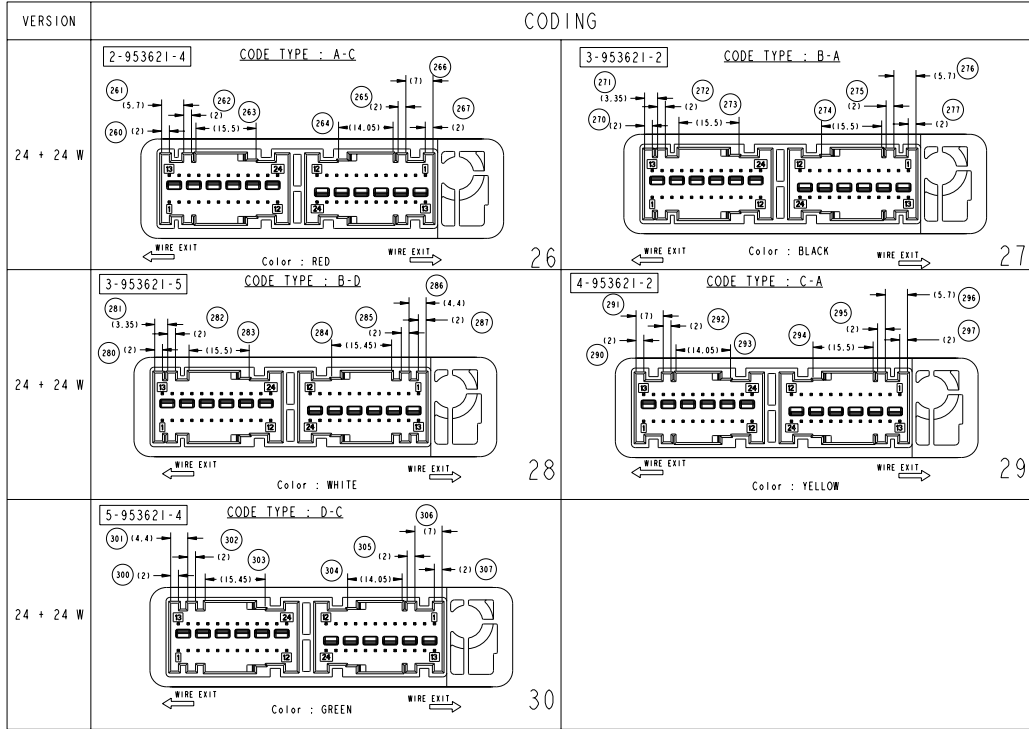


NOTES:

- △ TIN PLATED 0.25μm MINI OVER NICKEL
- △ GOLD PLATED 0.4μm MINI OVER NICKEL 1/2μm MINI
- △ CONTACTS : BRONZE (CuSn6)
- △ ASSY PART NUMBER : 953621-X . X ACCORDING TO CODING
- △ HOUSING DATE CODE
- △ CAVITY NUMBER
- △ REVISION STATUS OF THE HOUSING -X-
- △ MATERIAL REFERENCE : PBT GF 10
- ① TE Connectivity LOGO (AMP)
- ② ASSY DATE CODE: DD M Y (IN 3 POSSIBLE AREAS)
- || MATERIAL FOR SEALING : 50±5 SHORE A
- △ FOR THE PART NUMBER 1-953621-1:
THE PART NUMBER MARKING ON THE PLASTIC HOUSING : 953621-1.
- △ FOR THE PART NUMBER 1-953621-9:
THE PART NUMBER MARKING ON THE PLASTIC HOUSING : 953621-9.

THIS DRAWING IS A CONTROLLED DOCUMENT.		REV: 01	REVISED: 12DEC 08		TE Connectivity
REVISED:	DATE:	BY:	CHK:		HEADLINE: 24 + 24 POSITIONS RIGHT ANGLE .MOS
REVISED:	DATE:	BY:	CHK:	108-15214 108-15214	STATE: CA DATE: 08/20/11 DRAWING NO: 1-953621-1 00778 ©-953621
REVISED:	DATE:	BY:	CHK:	30.5g (-13)A	DRAWN BY: [blank] CHECKED BY: [blank] CUSTOMER DRAWING: [blank]

REVISE		REVISIONS			
NO.	DATE	DESCRIPTION	BY	CHK	APP
7		SEE SHEET 1			



PART NUMBER	1 CAVITY MOULD		4 CAVITY MOULD	
	TOOLED	PART NUMBER MARKING	TOOLED	PART NUMBER MARKING
953621-1	N		Y	953621-1
953621-2	N		Y	953621-2
953621-3	N		Y	953621-3
953621-4	Y		Y	953621-4
953621-5	Y		Y	953621-5
953621-6	possible		Y	953621-6
953621-7	possible		Y	953621-7
953621-8	possible		Y	953621-8
953621-9	possible		Y	953621-9
1-953621-4	N		Y	1-953621-4
2-953621-4	N		Y	2-953621-4
2-953621-5	Y		Y	2-953621-5
3-953621-2	N		Y	3-953621-2
3-953621-5	N		Y	3-953621-5
4-953621-2	N		Y	4-953621-2
5-953621-4	N		Y	5-953621-4

NO REQUIRED

THIS DRAWING IS A CONTROLLED DOCUMENT. **LAQUEB** **TE Connectivity**

REVISION: 001/02/2015. **LAQUEB**

DATE: 08-15-2014. **LAQUEB**

WEIGHT: 30.5g (-1.13). **LAQUEB**

CUSTOMER DRAWING. **LAQUEB**

STATE: CA. CASE CODE: 00778. **LAQUEB**

HEADLINE: HEADER ASSY, 24 + 24 POSITIONS RIGHT ANGLE .MOS

FIGURE: 2-1