

4

3

2

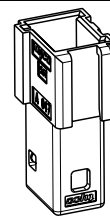
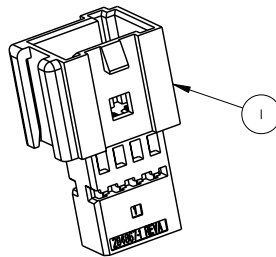
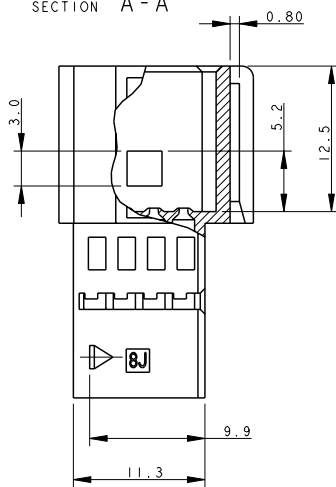
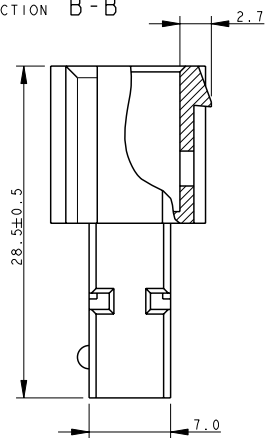
1

THIS DRAWING IS UNPUBLISHED. RELEASED FOR PUBLICATION 2002
COPYRIGHT 2002 BY TYCO ELECTRONICS CORPORATION. ALL RIGHTS RESERVED.

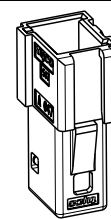
LOC	DIST	REVISIONS				
P	LTR	DESCRIPTION	DATE	DWN	APVD	
A2		ADDED -2 VERSION	31/03/2006	M.P.	R.M.	
A3		RELEASED DASH -2 (ECR-06-009425)	28/04/2006	M.P.	R.M.	
A4		RELEASED -3 AND -4 (ECR-08-027747)	04/11/2008	M.G.	M.G.	

SECTION B-B

SECTION A-A



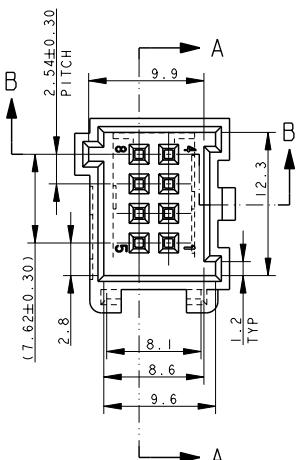
ASSY P/N 284869-1 /-2
VIEW ONLY FOR REF.



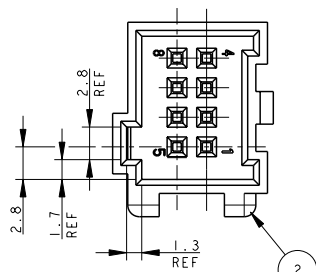
ASSY P/N 284869-3 /-4
VIEW ONLY FOR REF.

1 CAVITA' ADATTE PER TERMINALE MASCHIO MICRO QUADLOK SYSTEM TYCO ELECTRONICS P/N 963716-1 E 1-928918-1.
(CAVITIES SUITABLE FOR MICRO QUADLOK SYSTEM PIN CONTACTS TYCO ELECTRONICS P/N 963716-1 AND 1-928918-1).

2 STATO DI FORNITURA:
KIT COMPOSTO DA BLOCCHETTO PORTA CONTATTI COME INDICATO NEL FOGLIO 1 DI 2 E AGGANCIO SECONDARIO COME INDICATO NEL FOGLIO 2 DI 2 (NON ASSEMBLATI).
(SUPPLYING CONDITION:
KIT MADE OF PIN HOUSING AS SHOWN IN SHEET 1 OF 2 AND SECONDARY LOCK AS SHOWN IN SHEET 2 OF 2, NOT ASSEMBLED).



P/N 284869-2



PER DIMENSIONI E NOTE MANCANTI
VEDERE P/N 284869-1
(FOR MISSING DIMENSIONS
AND NOTES SEE P/N 284869-1)

BLOCCHETTO PORTA CONTATTI
COME INDICATO
(PIN HOUSING AS SHOWN)

QUANTITA' (QUANTITY)	REV. A	REV. A	REV. A	REV. A	ITEM	DESCRIZIONE (DESCRIPTION)	COLORE (COLOUR)	MATERIALE (MATERIAL)
4						AGG. SECOND. (SEC. LOCK)	BLU (BLUE)	PA 6.6 CA 6.6 G.F. FILLED
3						AGG. SECOND. (SEC. LOCK)	ROSSO (RED)	
2						BLOCCHETTO (PIN HOUSING)	GRIGIO (GRAY)	
1						BLOCCHETTO (PIN HOUSING)	NERO (BLACK)	
1						BLOCCHETTO (PIN HOUSING)	NERO (BLACK)	
P/N 284869								

THIS DRAWING IS A CONTROLLED DOCUMENT FOR TYCO ELECTRONICS CORPORATION
IT IS SUBJECT TO CHANGE AND THE CONTROLLING ENGINEERING ORGANIZATION
SHOULD BE CONTACTED FOR THE LATEST REVISION.

DWN: 22APR2002
M. PALMA
CHK: 22APR2002
R. MARTINI
APVD: 22APR2002
A. GENTA

Tyco Electronics AMP Italia S.r.l.
C.so F.lli Cervi 15 Collegno (TO)

NAME: 8 POS. MICRO QUADLOK SYSTEM
PIN CONNECTOR ASS'Y

PRODUCT SPEC: -
APPLICATION SPEC: -
WEIGHT: 2,6 gr

SIZE: A3 CAGE CODE: 00779 DRAWING NO: C-284869 RESTRICTED TO: -
CUSTOMER DRAWING SCALE: 5:1 SHEET 1 OF 2 REV A4

4

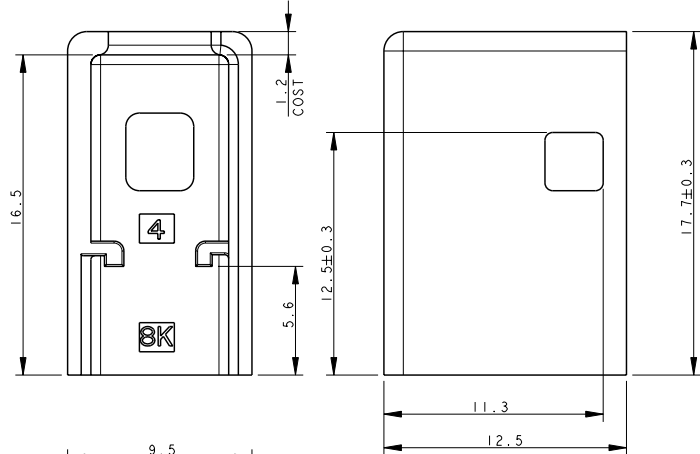
3

2

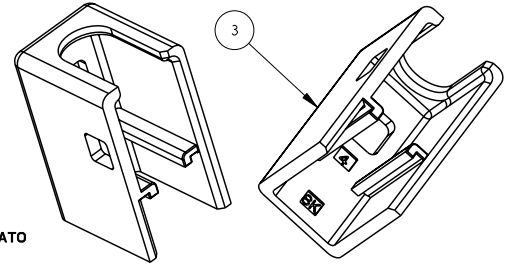
1

THIS DRAWING IS UNPUBLISHED. RELEASED FOR PUBLICATION 2002
 COPYRIGHT 2002 BY TYCO ELECTRONICS CORPORATION. ALL RIGHTS RESERVED.

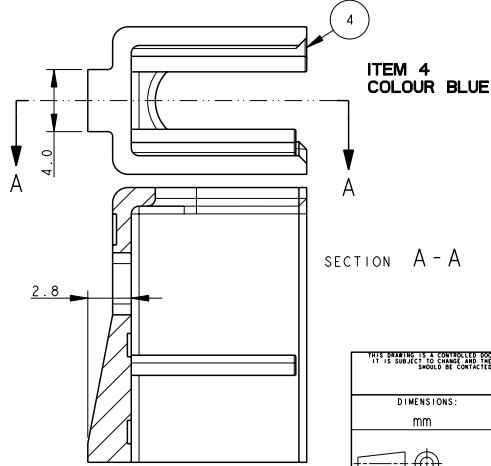
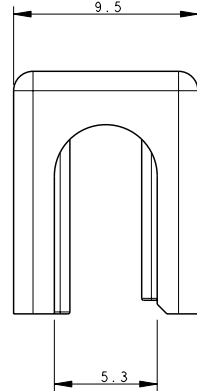
LOC		DIST		REVISIONS				
P	LTR	DESCRIPTION	DATE	DWN	APVD			
VEDERE PAG. 1 (SEE SHEET 1)								



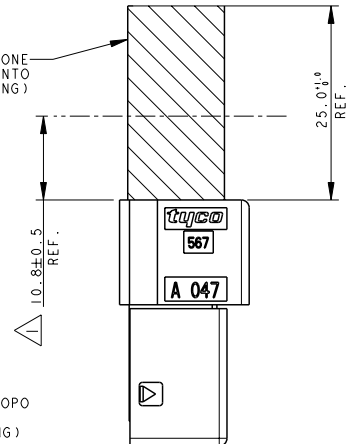
ITEM 3
COLOUR RED



AGGANCIO SECONDARIO COME INDICATO
(SECONDARY LOCK AS SHOWN)



INGOMBRO DELLA CONNESSIONE
PRIMA DELL'ACCOPIAMENTO
(CONNECTING AREA BEFORE MATING)



INGOMBRO DELLA CONNESSIONE DOPO
L'ACCOPIAMENTO.
(CONNECTING AREA AFTER MATING)

PER DIMENSIONI E NOTE MANCANTI
VEDERE ITEM -3-
(FOR MISSING DIMENSIONS
AND NOTES SEE ITEM -3-)

<small>THIS DRAWING IS A CONTROLLED DOCUMENT FOR TYCO ELECTRONICS CORPORATION IT IS SUBJECT TO CHANGE AND THE CONTROLLING ENGINEERING ORGANIZATION SHOULD BE CONTACTED FOR THE LATEST REVISION.</small>		DWN 22APR2002 M. PALMA CHK 22APR2002 R. MARTINI APVD 22APR2002 A. GENTA	AMP Italia S.r.l. C.so F.lli Cervi 15 Collegno (TO)
DIMENSIONS: mm	TOLERANCES UNLESS OTHERWISE SPECIFIED: 0 PLC ± 1 PLC ±0.3 2 PLC ± 3 PLC ± 4 PLC ± ANGLES ±1°	Tyco Electronics NAME 8 POSITION MICRO QUADLOK SYSTEM PIN CONNECTOR ASS'Y	RESTRICTED TO
MATERIAL VEDERE TABELLA PAG. 1 (SEE TABLE SHEET 1)	FINISH VEDERE TABELLA PAG. 1 (SEE TABLE SHEET 1)	APPLICATION SPEC - WEIGHT - SIZE A3 CAGE CODE 00779 DRAWING NO C-284869	CUSTOMER DRAWING SCALE 5:1 SHEET 2 OF 2 REV A4