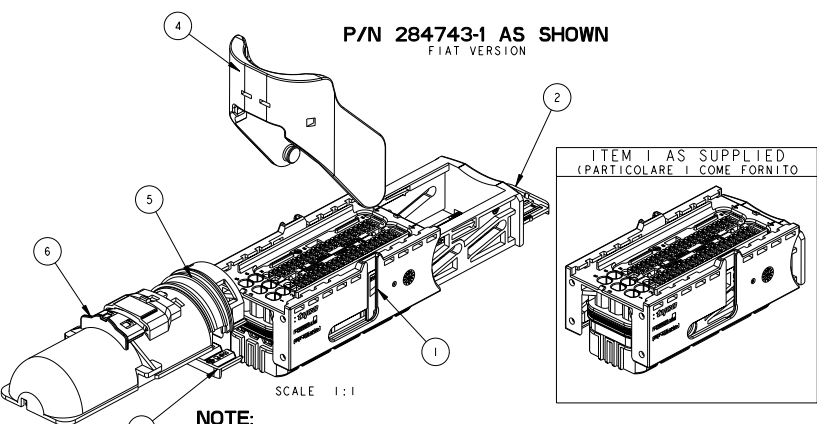
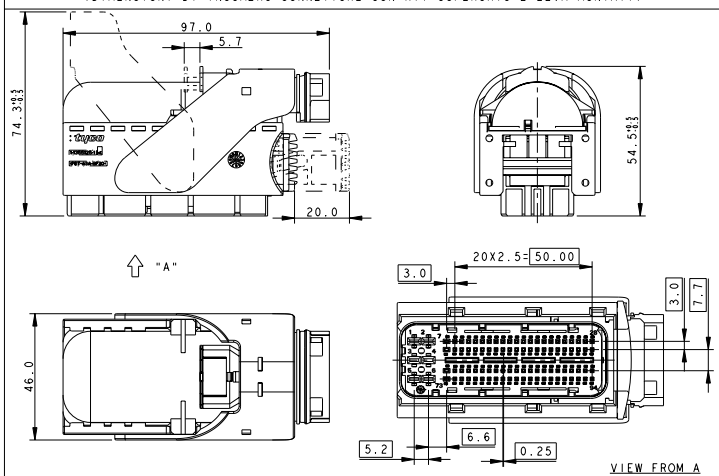


REV. NO.	DATE	BY	APP.	DESCRIPTION
1				
2	20020311	RR	HMR	REVISED PER ECO-11-005033

CONNECTOR OVERALL DIMENSIONS WITH COVER KIT AND LEVER ASSEMBLED
 (DIMENSIONI DI INGOMBRO CONNETTORE CON KIT COPERCHIO E LEVA MONTATI)



- NOTE:**
- CONNECTOR IS SUITABLE TO BE MATED WITH COUNTERPART P/N 284617-1 (IL CONNETTORE SI ACCOPPIA CON LA CONTROPARTE P/N 284617-1)
 - CONNECTOR CAVITIES ARE SUITABLE FOR CONTACTS: (LE CAVITA' DEL CONNETTORE SONO ADATTE PER CONTATTI:):
 - MOS Clean Body contact WSR 0.2-0.5 mm² P/N 968220-1
 - MOS Clean Body contact WSR 0.75 mm² P/N 968221-1
 - 1.5 MOS Clean Body contact WSR 0.5 mm² P/N 1452158-1
 - 1.5 MOS Clean Body contact WSR 0.75-1.5 mm² P/N 1241608-1
 - 2.8K MCP Contacts SWS, WSR 0.5-1.0 mm² P/N 1241394-1
 - WSR > 1-2.5 mm² P/N 1241396-1
 - SINGLE WIRE SEAL FOR MCP 2.8K (GOMMINI PASSACAVO PER TERMINALI MCP 2.8K):
 - P/N 963294-1 FOR WSR 0.35-1.0 mm²;
 - P/N 963293-1 FOR WSR 1.5 mm²;
 - P/N 963292-1 FOR WSR 2.5 mm²;
 - TO CLOSE UNUSED CAVITIES: (PER CHIUDERE LE CAVITA' NON UTILIZZATE)
 - P/N 284583-1 for MOS Clean Body contacts cavities
 - P/N 1394872-1 for 1.5 mm Clean Body contact cavities
 - P/N 828922-1 for 2.8K MCP contact cavities
 - ITEM 2, 3 AND 4 ARE SUPPLIED NOT ASSEMBLED IN THE SAME PACKAGE. (-I PARTICOLARI 2,3 AND 4 SONO FORNITI NON ASSEMBLATI NELLA STESSA CONFEZIONE.)
 - ITEMS 5 AND 6 ARE SUPPLIED PRE-ASSEMBLED, IN THE SAME PACKAGE. (-I PARTICOLARI 5 E 6 SONO FORNITI PRE-ASSEMBLATI NELLA STESSA CONFEZIONE)
 - ITEMS 5 IS SUPPLIED NOT ASSEMBLED IN THE SAME PACKAGE. ITEM 6 IS NOT SUPPLIED. (-L'ITEM 5 E' FORNITO NON ASSEMBLATO NELLA STESSA CONFEZIONE, L'ITEM 6 NON E' FORNITO.)

VISTA LATO INSERIMENTO CONTATTI (CONTACT INSERT SIDE VIEW)		CAVITIES POSITION (POSIZIONE IN CAVITA')	
		CONTACT P/N (P/N CONTATTO)	POSITION (POSIZIONE)
73	94	968220-1 & 968221-1	8 to 28; 30 to 50; 52 to 72; 74 to 94
6	72	1452158-1 & 1241608-1	7, 29, 51, 73
5	50	1241394-1 & 1241396-1	1 to 6
3	28		
1	29		
2	7		

QTY.	QTY.	RAW MATERIALS	COLOURS	REV	DESCRIPTION	ITEM
(NOTE 6)	(NOTE 5)	Materiali	Colori		Descrizione	Pos.
-	1	PA6.6 GF30	YELLOW	/	C.P.A. Disp. controllo aggancio leva	6
1	1	PA6.6 GF13	BLACK	/	COVER / Coperchio	5
1	1	PA6.6 GF30	BLACK	/	LEVER / Leva	4
1	1	PA6.6 GF30	VIOLET	/	SECONDARY LOCK 6 POSN. Disp. Ritenz. secondaria, 6 pos.	3
1	1	PA6.6 GF30	VIOLET	/	SECONDARY LOCK 88 POSN. Disp. Ritenz. secondaria, 88 pos.	2
1	1	PA6.6 GF30/PBT+ASA-GF20 PA6.6 GF13 + GF33 SILICON	BLACK/LIGHT BROWN:HOUSING YELLOW:PERIPHERAL SEAL RED-BROWN:FAMILY SEAL	/	CARRIER HSG. / Corpo connettore	1

THIS DRAWING IS A CONTROLLED DOCUMENT. DWG/PSL: 030C2001
 O. BISSI
 DIMENSIONS: DIMENSIONI: mm

TO BE USED IN THE FOLLOWING CASES: PER UTILIZZARE QUESTO DOCUMENTO NEI CASI SEGUENTI:
 1. PLC (REC. 80-3)
 2. PLC (REC. 80-3)
 3. PLC (REC. 80-3)
 4. PLC (REC. 80-3)
 5. PLC (REC. 80-3)
 6. PLC (REC. 80-3)

APPLICATION SPEC. SPEC. DI APPLICAZIONE: I.S. 411-20067

MATERIAL: MATERIALE: FINITURA

CUSTOMER DRAWING DISEGNO PER CLIENTE

SIZE: A2
 CASE CODE: 200779
 DRAWING NO.: 284743

RESTRICTED TO: -
 SCALE: 2:1
 SHEET: 1 OF 1
 REV: E 2