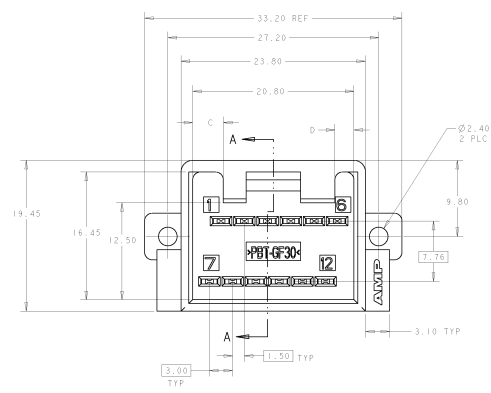
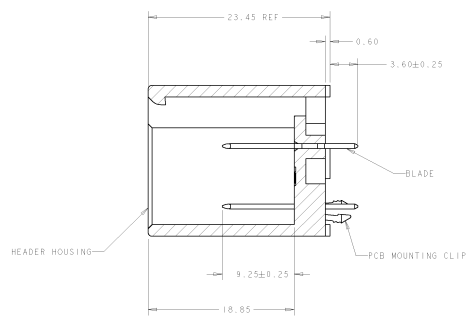


8	7	6	5	4	3	2	1
DATE APPROVED BY: [blank]	REVISED FOR FACILITIES:	79					
BY: [blank]	BY: [blank]	REVISED FOR FACILITIES:					

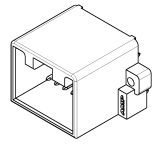
REV	DATE	REVISIONS	BY	CHK	APP
1	11	REV PER EC 0X60-0133-03	EMPHRO	DJA	CBP
2	11	REV PER EC 0X60-0181-03	EMPHRO	DJA	CBP



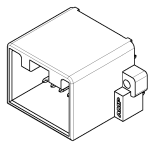
638141-1
KEY A CONFIGURATION



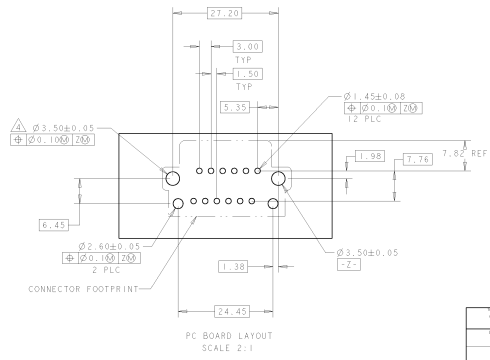
SECTION A-A



638141-1
KEY A CONFIGURATION
SCALE 2:1



638141-2
KEY B CONFIGURATION
SCALE 2:1



PC BOARD LAYOUT
SCALE 2:1

- △ MATERIAL: HEADER HOUSING-VALOX 508R, 30% GLASS
COLOR-SEE TABLE
BLADES-0.64 THK C260 BRASS, H04 TEMPER
PCB MOUNTING CLIP-0.57 THK C260 BRASS, H04 TEMPER
- △ FINISH: BLADES-0.0000-0.0016 THK MATTE TIN ON
MATING END: 0.0038-0.0064 THK TIN ON
SOLDER TAILS- ALL OVER 0.002 MIN THK NICKEL
PCB MOUNTING CLIP-0.00381 MIN THK MATTE TIN
OVER 0.00127 MIN THK NICKEL.
- 3. 638141-1 MATES WITH PLUG ASSEMBLY 638079-1
638141-2 MATES WITH PLUG ASSEMBLY 638079-2
- △ Ø3.50 HOLES USED FOR OPTIONAL MOUNTING SCREWS.

B	3.95	2.45	GRAY	638141-2
A	2.45	3.95	BLACK	638141-1
REV CONFIGURATION	D	C	COLOR	PART NUMBER

MATERIAL: [blank] FINISH: [blank]		PL NICKEL 92-05-95 S COATED 92-05-95 S COATED 92-05-95		AMP AMP Incorporated Allentown, PA 18106-3808	
PART NUMBER: [blank]		TITLE: 12 POSITION HEADER ASSEMBLY VERTICAL		CASE NO: [blank] C=638141	
MATERIAL: [blank]		REV: A1 00779		DATE: [blank]	
CUSTOMER DRAWING: [blank]		[blank]		[blank]	