

4

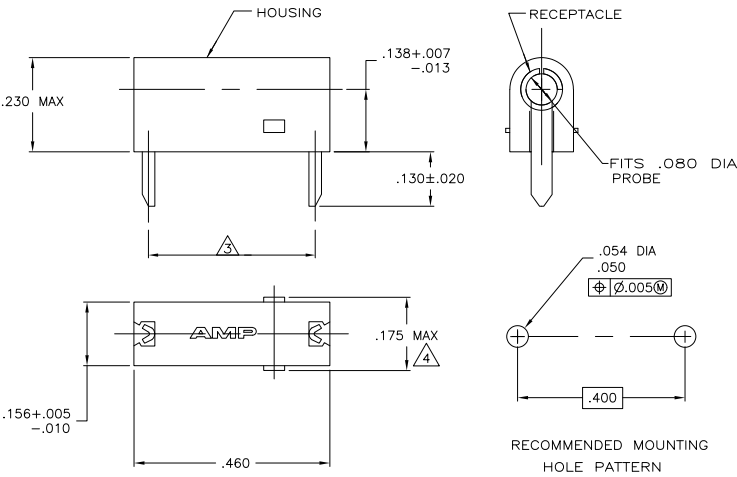
3

2

1

THIS DRAWING IS UNPUBLISHED. RELEASED FOR PUBLICATION. ALL RIGHTS RESERVED.

LOC		DISTR		REVISIONS			
F	REV	DESCRIPTION	DATE	BY	APP'D		
	AB1	REVISED PER ECO-11-004820	11MAR11	RK	HMR		



- 1 OPERATION TEMPERATURE IS 105° C MAX.
- 2 RETENTION FORCE - 16 OUNCES MIN INITIALLY. 6 OUNCES MIN AFTER 500 CYCLES.
- △ REFER TO MOUNTING HOLE PATTERN.
- △ .175 MAX TO BE MEASURED ACROSS THE CUT-OFF TABS.

	NYLON 6/6; WHITE	BRASS - GOLD	3-582118-9
OBSOLETE	<del>NYLON 6/6; GRAY</del>	<del>BRASS - GOLD</del>	<del>3-582118-8</del>
	NYLON 6/6; VIOLET	BRASS - GOLD	3-582118-7
	NYLON 6/6; BLUE	BRASS - GOLD	3-582118-6
	NYLON 6/6; GREEN	BRASS - GOLD	3-582118-5
	NYLON 6/6; YELLOW	BRASS - GOLD	3-582118-4
	NYLON 6/6; ORANGE	BRASS - GOLD	3-582118-3
	NYLON 6/6; RED	BRASS - GOLD	3-582118-2
OBSOLETE	<del>NYLON 6/6; BROWN</del>	<del>BRASS - GOLD</del>	<del>3-582118-1</del>
	NYLON 6/6; BLACK	BRASS - GOLD	3-582118-0
	NYLON 6/6; WHITE	BRASS - SILVER	2-582118-9
OBSOLETE	<del>NYLON 6/6; GRAY</del>	<del>BRASS - SILVER</del>	<del>2-582118-8</del>
OBSOLETE	<del>NYLON 6/6; VIOLET</del>	<del>BRASS - SILVER</del>	<del>2-582118-7</del>
	NYLON 6/6; BLUE	BRASS - SILVER	2-582118-6
OBSOLETE	<del>NYLON 6/6; GREEN</del>	<del>BRASS - SILVER</del>	<del>2-582118-5</del>
OBSOLETE	<del>NYLON 6/6; YELLOW</del>	<del>BRASS - SILVER</del>	<del>2-582118-4</del>
OBSOLETE	<del>NYLON 6/6; ORANGE</del>	<del>BRASS - SILVER</del>	<del>2-582118-3</del>
	NYLON 6/6; RED	BRASS - SILVER	2-582118-2
OBSOLETE	<del>NYLON 6/6; BROWN</del>	<del>BRASS - SILVER</del>	<del>2-582118-1</del>
	NYLON 6/6; BLACK	BRASS - SILVER	2-582118-0
	NYLON 6/6; WHITE	BRASS - TIN	1-582118-9
OBSOLETE	<del>NYLON 6/6; GRAY</del>	<del>BRASS - TIN</del>	<del>1-582118-8</del>
OBSOLETE	<del>NYLON 6/6; VIOLET</del>	<del>BRASS - TIN</del>	<del>1-582118-7</del>
OBSOLETE	<del>NYLON 6/6; BLUE</del>	<del>BRASS - TIN</del>	<del>1-582118-6</del>
	NYLON 6/6; GREEN	BRASS - TIN	1-582118-5
	NYLON 6/6; YELLOW	BRASS - TIN	1-582118-4
OBSOLETE	<del>NYLON 6/6; ORANGE</del>	<del>BRASS - TIN</del>	<del>1-582118-3</del>
	NYLON 6/6; RED	BRASS - TIN	1-582118-2
OBSOLETE	<del>NYLON 6/6; BROWN</del>	<del>BRASS - TIN</del>	<del>1-582118-1</del>
	NYLON 6/6; BLACK	BRASS - TIN	1-582118-0

OBSOLETE	<del>NYLON 6/6; NATURAL</del>	<del>BRASS - GOLD</del>	<del>6-582118-9</del>
	NYLON 6/6; NATURAL	BRASS - SILVER	5-582118-9
	HOUSING - MATERIAL; COLOR	RECEPTACLE - MATERIAL; FINISH	PART NUMBER

THIS DRAWING IS A CONTROLLED DOCUMENT. DIM M.S. FEHR 13APR2004  
 DIM C.W. HOWARD 13APR2004  
 DIM E. HOWARD 13APR2004  
 DIM PRODUCT SPEC NAME

**TE** TE Connectivity

ASSEMBLY, TEST PROBE

APPLICATION SPEC: SIZE CASE CODE DRAWING NO. RESTRICTED TO: A2 00779 C=582118

WEIGHT: CUSTOMER DRAWING SCALE: 6:1 SHEET: 1 of 1 REV: AB1