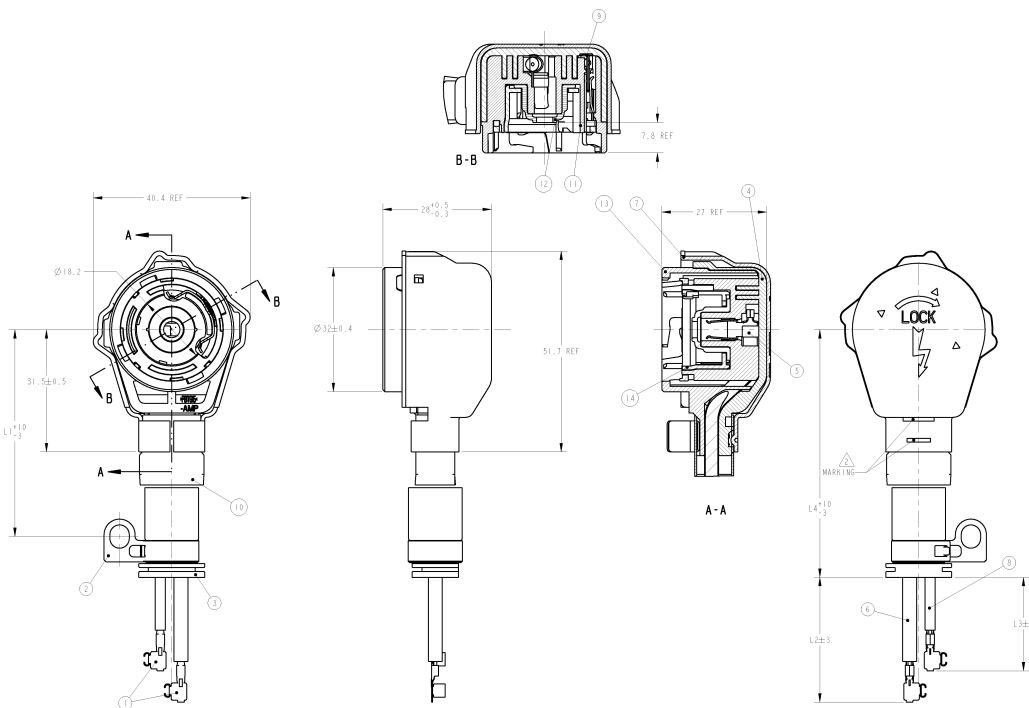
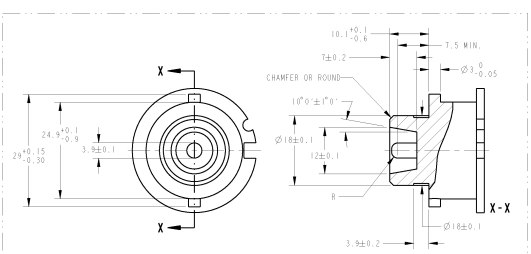


REV.	DATE	DESCRIPTION	BY	CHK	APP	DATE
0		RELEASED	YAN YAN-41	YUENKI	TS	10
A		REVISED	YAN YAN-44	HAFRKA	TS	51
A1		REVISED	YAN YAN-4000	HAFRKA	SF	88



△ 規格(0.7/0.7/0.7-D2)に準拠して設計された製品は、1/10°の傾斜(30°)
 △ 傾斜角は、0.7/0.7/0.7-D2に準拠して設計された製品は、1/10°の傾斜(30°)
 △ 傾斜角は、0.7/0.7/0.7-D2に準拠して設計された製品は、1/10°の傾斜(30°)
 △ 傾斜角は、0.7/0.7/0.7-D2に準拠して設計された製品は、1/10°の傾斜(30°)

△ TO BE MATED SMOOTHLY WITH THE HID BULB(D2) (MATING ANGLE:30°)
 △ WORKING FOR DISCRIMINATION OF WIRE LENGTH
 △ TEMPERATURE RATING : +200~1200
 △ WITHSTAND VOLTAGE (RATED TEMPERATURE) : HV-LV 25KV MIN.
 HV-SHIELD 25KV MIN.
 LV-SHIELD 15KV MIN.



△△ ソケット嵌合相手/バルブ形状(D2バルブ) SCALE 2:1
 MATING CAP OF SOCKET(D2 BULB) SCALE 2:1

WEIGHT(g)	WIRE SIZE(GoW)	MARKING	LEN(mm)	CS(mm)	FLZ(mm)	FINISH	SHEATH P/V	WIRE P/V	ASS'Y P/V
49.8	0.5	GREEN	231	0.4	220	1123645-3	1-1123644-3	-3	
52.8		ORANGE	321	0.4	310	1123645-4	1-1123644-4	-2	
51.7		PURPLE	291	0.4	280	1123645-5	1-1123644-5	-1	

ITEM	DESCRIPTION	QTY	UNIT	REMARKS
1	PBT G15	1	INDIVIDUAL	RUBBER RETAINER
1	PBT G15	1	INDIVIDUAL	HOUSING
1	SILICON	1	SEA	ROBBER
1	COPPER ALLOY	1	LV RECEPTACLE CONTACT	
1	ALUMINUM	1	SHIELD SHEATH	
1	ALUMINUM	1	SHIELD COVER	
1	BRASS	1	LV TAB CONTACT	
1	BRASS	1	HV WIRE	
1	SUS	1	HV RECEPTACLE CONTACT	
1	PBT G30	1	HOUSING COVER	
1	EPDM	1	GROUND	
1	SUS	1	CLIP	
1	BRASS	1	BALLAST RECEPTACLE CONTACT	

YUEN KEI ELECTRONICS CORPORATION	YUEN KEI ELECTRONICS CORPORATION	YUEN KEI ELECTRONICS CORPORATION	YUEN KEI ELECTRONICS CORPORATION
YUEN KEI ELECTRONICS CORPORATION	YUEN KEI ELECTRONICS CORPORATION	YUEN KEI ELECTRONICS CORPORATION	YUEN KEI ELECTRONICS CORPORATION
YUEN KEI ELECTRONICS CORPORATION	YUEN KEI ELECTRONICS CORPORATION	YUEN KEI ELECTRONICS CORPORATION	YUEN KEI ELECTRONICS CORPORATION
YUEN KEI ELECTRONICS CORPORATION	YUEN KEI ELECTRONICS CORPORATION	YUEN KEI ELECTRONICS CORPORATION	YUEN KEI ELECTRONICS CORPORATION

YUEN KEI ELECTRONICS CORPORATION	YUEN KEI ELECTRONICS CORPORATION	YUEN KEI ELECTRONICS CORPORATION	YUEN KEI ELECTRONICS CORPORATION
YUEN KEI ELECTRONICS CORPORATION	YUEN KEI ELECTRONICS CORPORATION	YUEN KEI ELECTRONICS CORPORATION	YUEN KEI ELECTRONICS CORPORATION
YUEN KEI ELECTRONICS CORPORATION	YUEN KEI ELECTRONICS CORPORATION	YUEN KEI ELECTRONICS CORPORATION	YUEN KEI ELECTRONICS CORPORATION
YUEN KEI ELECTRONICS CORPORATION	YUEN KEI ELECTRONICS CORPORATION	YUEN KEI ELECTRONICS CORPORATION	YUEN KEI ELECTRONICS CORPORATION