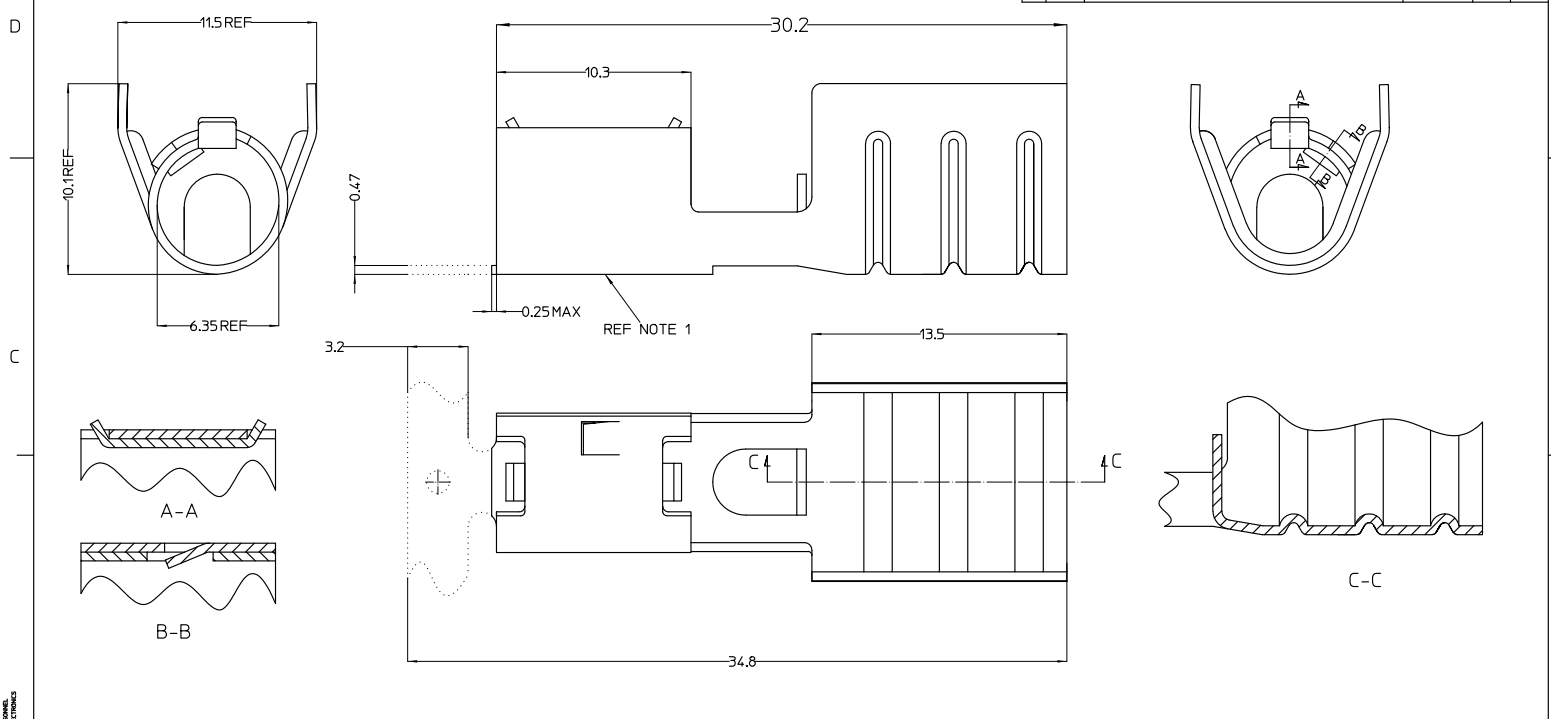
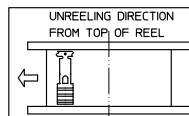


THIS DRAWING IS UNPUBLISHED.		RELEASED FOR PUBLICATION		LOC	DIST	REVISIONS					
COPYRIGHT BY TYCO ELECTRONICS CORPORATION. ALL RIGHTS RESERVED.				U	-	P	LTR	DESCRIPTION	DATE	DWN	APVD
						-	-		-	-	-



STAINLESS STEEL GRADE 430	TERMINAL, SPARK PLUG H28311A	1-1627131-0
MATERIAL	DESCRIPTION	PART No.

- NOTES:
- 'UTILUX' OR 'AMP' LOGO STAMPED AS REQUIRED.
 - WIRE SIZE: $\phi 8$ mm HIGH TENSION CABLE



THIS DRAWING IS A CONTROLLED DOCUMENT.		DWN: WR 27MAY05	Tyco Electronics Corporation AUSTRALIA	
ALL DIMENSIONS IN mm		CHK: HT 27MAY05		
TOLERANCES UNLESS OTHERWISE SPECIFIED:		APVD: WR 27MAY05	NAME: TERMINAL, SPARK PLUG	
DIMENSION (mm) TOLERANCE (+/-mm) LESS THAN 10 0.4 OVER 10 TO 30 0.5 OVER 30 TO 80 0.7 OVER 80 TO 250 1.0 ANGLES 42°		PRODUCT SPEC: -	SIZE: A3	
MATERIAL: REF. BLOCK		APPLICATION SPEC: -	DRAWING NO: 1627131	
FINISH: NATURAL		WEIGHT: -	RESTRICTED TO: -	
CUSTOMER DRAWING			SCALE: 5:1	SHEET 1 OF 1
			REV: 0	

THIS INFORMATION IS CONFIDENTIAL AND PROPRIETARY TO TYCO ELECTRONICS CORPORATION AND IS NOT TO BE RELEASED TO ANY OTHER PARTY WITHOUT THE WRITTEN PERMISSION OF TYCO ELECTRONICS CORPORATION. HARRISBURG, PENNSYLVANIA, USA.