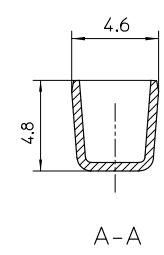
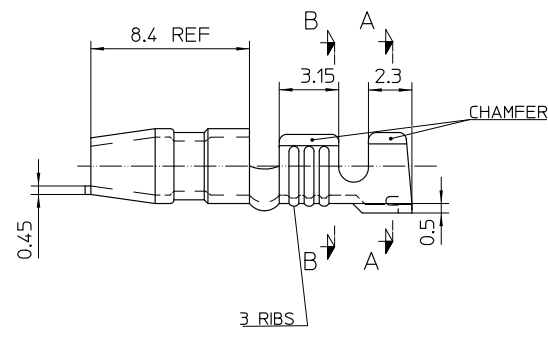
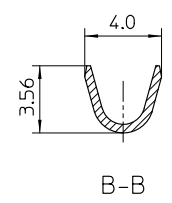
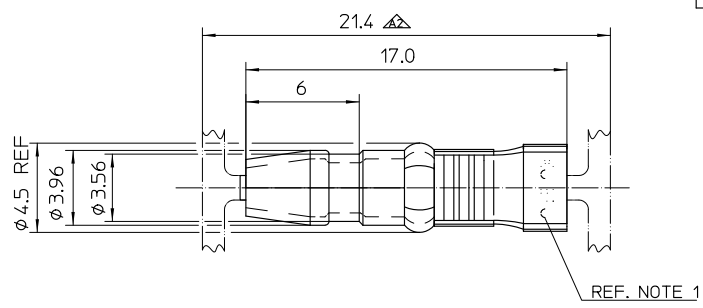


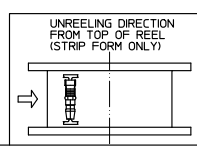
THIS DRAWING IS UNPUBLISHED. RELEASED FOR PUBLICATION
 COPYRIGHT BY TYCO ELECTRONICS CORPORATION. ALL RIGHTS RESERVED.

LOC		DIST		REVISIONS			
P	LTR	DESCRIPTION	DATE	DWN	APVD		
A		REDRAWN - WAS UTX DRG N° 0102782.01	10 SEP 08	W.M.	W.R.		
A1		ECR-09-004847 P/N 1-1627117-4 ADDED	03 MAR 09	WR	WR		
A2		ECR-09-0019053 - STRIP DIM. CORRECTED	03 SEP 09	WR	WR		



- NOTES:
- 'UTILUX' OR 'AMP' LOGO STAMPED AS REQUIRED.
 - WIRE RANGE:
 CONDUCTOR: 0.75 - 1.5mm²
 INSULATION: Ø3.3mm MAX.

THIS INFORMATION IS CONFIDENTIAL AND PROPRIETARY TO TYCO ELECTRONICS CORPORATION AND IS NOT TO BE DISCLOSED TO ANYONE OTHER THAN TYCO ELECTRONICS CORPORATION, HANNOVER, PENNSYLVANIA, USA.



LOOSE PIECE IN PACKS OF 10000	BRASS ALLOY C26000	TERMINAL, BULLET (H2782/10000)	1-1627117-4
CONTINUOUS STRIP FORM IN REELS OF 3000	BRASS ALLOY C26000	TERMINAL, BULLET (H2782/R3000)	1-1627117-2
PACK SIZE	MATERIAL DESC.	DESCRIPTION (UTXP/N:)	PART No.
THIS DRAWING IS A CONTROLLED DOCUMENT.		DWN: V.MEDOVKOV 10 SEP 08	Kingsgrove AUSTRALIA
ALL DIMENSIONS IN mm		CHK: W.RIEDE 10 SEP 08	
TOLERANCES UNLESS OTHERWISE SPECIFIED: DIMENSION (mm) TOLERANCE (mm) LESS THAN 10 0.4 OVER 10 TO 30 0.5 OVER 30 TO 80 0.7 OVER 80 TO 250 1.0 ANGLES 12°		APVD: W.RIEDE 10 SEP 08	
MATERIAL	FINISH	PRODUCT SPEC:	NAME: TERMINAL, BULLET
REF BLOCK	NATURAL	APPLICATION SPEC:	SIZE: A3
		WEIGHT: -	DRAWING NO: ©=1627117
CUSTOMER DRAWING			RESTRICTED TO: -
			SCALE: 5:1
			SHEET: 1 OF 1
			REV: A2