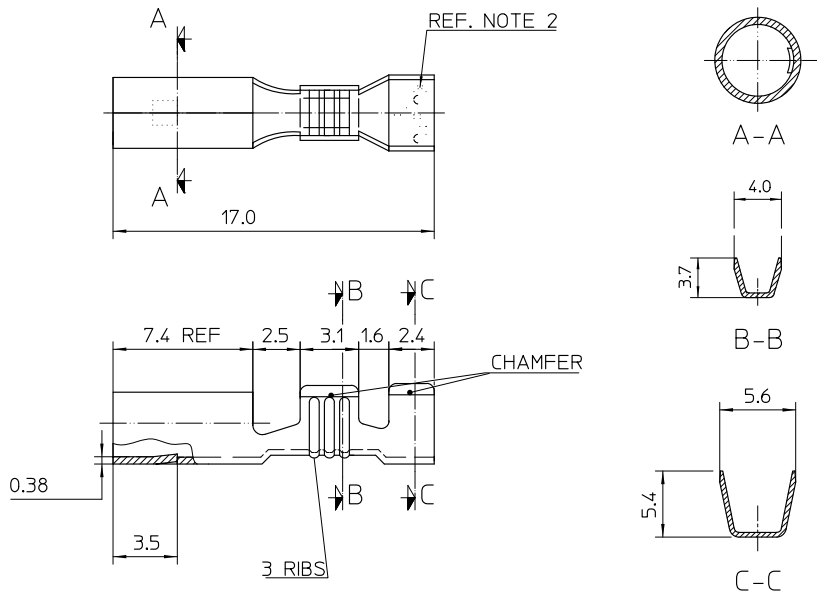


THIS DRAWING IS UNPUBLISHED. RELEASED FOR PUBLICATION
 © COPYRIGHT BY TYCO ELECTRONICS CORPORATION. ALL RIGHTS RESERVED.

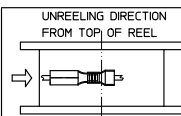
LOC	DIST	REVISIONS			
P	LTR	DESCRIPTION	DATE	DWN	APVD
U	-	0	REDRAWN - WAS UTX DRG N° 01.02743.01E	01 OCT 08	V.M. W.R.



- NOTES:
1. WIRE RANGE:
 CONDUCTOR: 0.7 - 2.1mm²
 INSULATION: ϕ 3.3mm. MAX.
 2. 'UTILUX' OR 'AMP' LOGO STAMPED AS REQUIRED.

LOOSE PIECE IN PACKS OF 10K	BRASS C26000 NATURAL	TERMINAL, BULLET (H2743/10000)	1-1627113-4
CONTINUOUS STRIP IN REELS OF 6K	BRASS C26000 PRE-TIN	TERMINAL, BULLET (H2743ET/R6000)	1-1627113-3
CONTINUOUS STRIP IN REELS OF 6K	BRASS C26000 NATURAL	TERMINAL, BULLET (H2743/R6000)	1-1627113-2
PACK SIZE	MATERIAL DESC.	DESCRIPTION (UTX P/No.)	PART No.

THIS DRAWING IS A CONTROLLED DOCUMENT.		DWN: V.MEDOVKOV 01 OCT 08	Kingsgrove AUSTRALIA	
ALL DIMENSIONS IN mm		CHK: W.RIEDE 01 OCT 08		
TOLERANCES UNLESS OTHERWISE SPECIFIED:		APVD: W.RIEDE 01 OCT 08	NAME: TERMINAL, BULLET	
DIMENSION (mm) TOLERANCE(+/-mm) LESS THAN 10 0.4 OVER 10 TO 30 0.5 OVER 30 TO 80 0.7 OVER 80 TO 250 1.0 ANGLES 12°		PRODUCT SPEC:	SIZE: A3	
MATERIAL: REF BLOCK		APPLICATION SPEC:	CAGE CODE:	DRAWING NO: 1627113
FINISH: REF BLOCK		WEIGHT: -	SCALE: 5:1	SHEET 1 OF 1
CUSTOMER DRAWING			REV: 0	RESTRICTED TO



THIS INFORMATION IS CONFIDENTIAL AND PROPRIETARY TO TYCO ELECTRONICS CORPORATION. IT IS NOT TO BE RELEASED TO ANYONE OTHER THAN TYCO ELECTRONICS CORPORATION, HANNOVER, PENNSYLVANIA, USA.