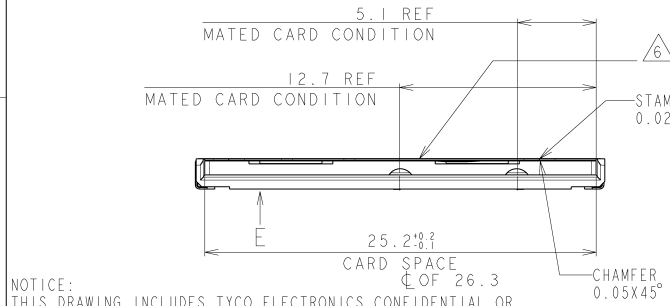
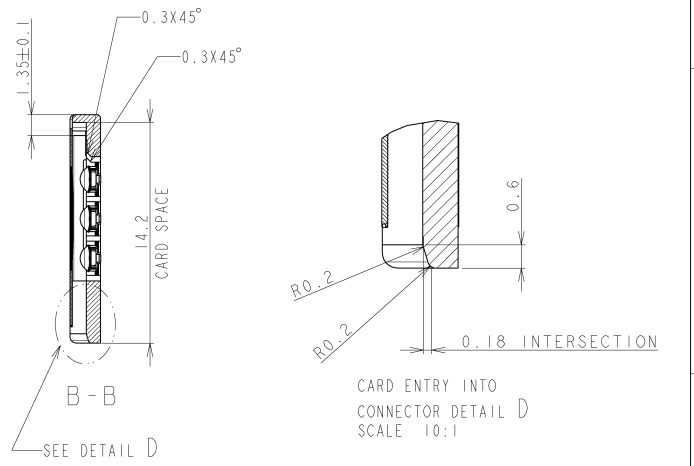
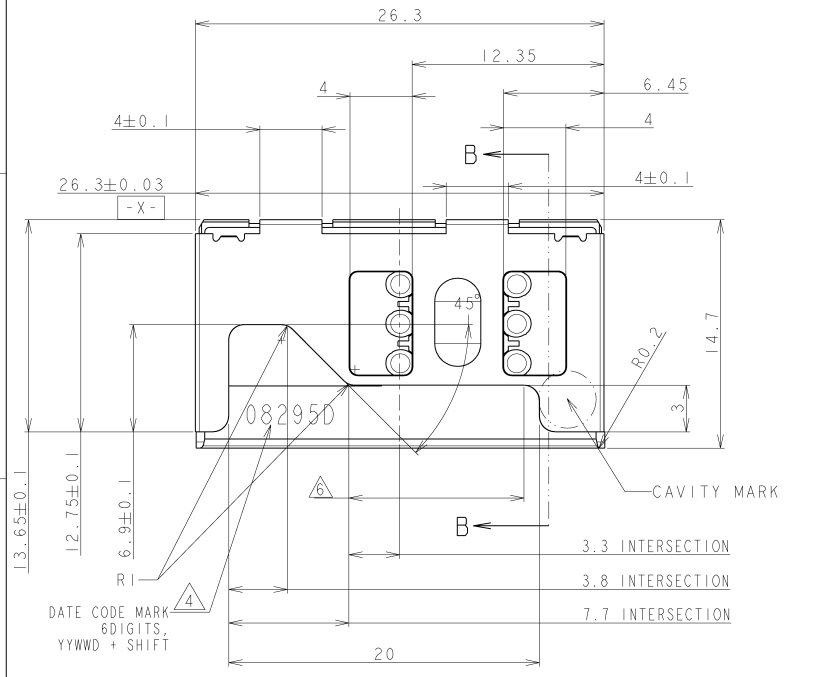


THIS DRAWING IS UNPUBLISHED. RELEASED FOR PUBLICATION 2010  
 © COPYRIGHT 2010 BY Tyco Electronics Japan G.K. ALL RIGHTS RESERVED.

LOC	DIST	REVISIONS			
P	LTR	DESCRIPTION	DATE	DWN	APVD
C		REVISED	20JUL2011	Y.K	T.K
-	-	-	-	-	-



NOTICE: THIS DRAWING INCLUDES TYCO ELECTRONICS CONFIDENTIAL OR PROPRIETARY INFORMATION THAT MAY ALSO BE LEGALLY PRIVILEGED.

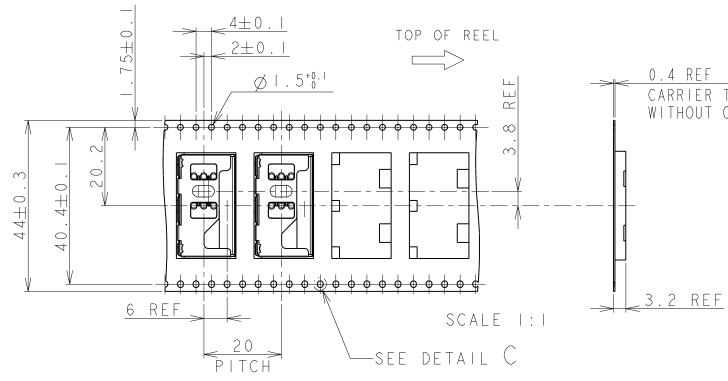
2069248-1; AS SHOWN

DESCRIPTION	MATERIAL	FINISH	ITEM
HOUSING	LCP	FLAME CLASS: UL94V-0 COLOR: BLACK	③
CONTACT	PHOS. BRONZE	UNDER PLATING: Ni 1.2µm MIN CONTACT AREA: Au 0.4µm MIN SOLDERING AREA: Au FLASH 0.05 MIN	②
CLIP	STAINLESS, SUS301	UNDER PLATING: Ni 1.2µm MIN SOLDERING AREA: Sn 1µm MIN	①

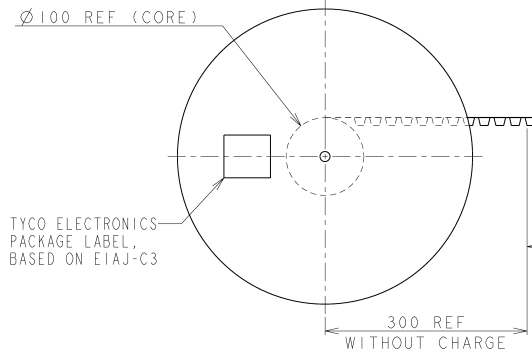
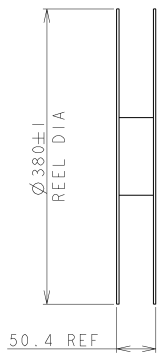
THIS DRAWING IS A CONTROLLED DOCUMENT.		DWN Y. KUDO 27AUG2010	TE Connectivity SIDE SLIDE SIM CONNECTOR WITH SHIELD CLIP	
DIMENSIONS: 単位: mm		CHK Y. NAKAZAWA 27AUG2010		
TOLERANCES UNLESS OTHERWISE SPECIFIED: ±0.15		APVD Y. NAKAZAWA 27AUG2010	NAME 名称	RESTRICTED ①
0-PLC ±0.15		PRODUCT SPEC 108-78590	SIZE	
1-PLC ±0.15		APPLICATION SPEC	CAGE CODE	DRAWING NO
2-PLC ±0.13			A300779	C-2069248
3-PLC ±0.04			WEIGHT 0.74g	SCALE 4:1
4-PLC ±0.000			CUSTOMER DRAWING	SHEET 1 OF 3
ANGLES ±5°				REV C
MATERIAL 材料	SEE NOTE	FINISH 仕上	SEE NOTE	



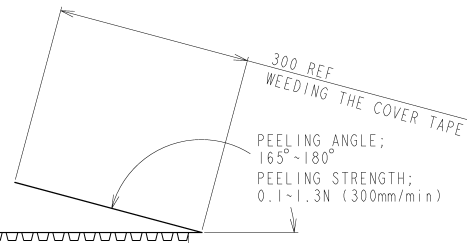
LOC		DIST		REVISIONS				
P	LTR	DESCRIPTION	DATE	DWN	APVD			
-		SEE SHEET 1	-	-	-			



- MATERIAL AND FINISH: SEE TABLE.
- COPLANARITY : 0.10MAX  
BASED ON THE FLOATING TAILS FROM FLAT SURFACE.
- RECOMMENDED THICKNESS OF METAL MASK FOR SOLDERING: 0.100mm MIN.  
ALSO ADD RECOMMEND THAT HOLE-DIMENSION ON MASK MEETS 100% TO REFERENCE PC BOARD LAYOUT.
- INDICATED DATE CODE MARK ON HOUSING SURFACE : 6DIGITS, YYWWDS  
YY: MFG YEAR, WW: MFG WEEK CODE, D: MFG DAY CODE, S: SHIFT CODE  
CHARACTOR HEIGHT 1.5 MAX, A COVERT MARKING.
- PACKING QTY: 1,500PCS PER REEL, SEE SHEET 2 OF 2.
- ADDED MINIMUM AREA OF CHAMFER ON TOP SURFACE MAY ALSO BE LEGALLY PRIVILEGED.



SCALE 5:1



1,500EA / REEL  
 WITH PRODUCT CHARGE WITHOUT CHARGE  
 20 HOLES MIN

SCALE 1:5

THIS DRAWING IS A CONTROLLED DOCUMENT.		DWN	TE Connectivity	
DIMENSIONS: 単位:mm		CHK		
TOLERANCES UNLESS OTHERWISE SPECIFIED: ±0.15		APVD	NAME: SIDE SLIDE SIM CONNECTOR WITH SHIELD CLIP	
0-PLC ±0.15		PRODUCT SPEC	SIZE: A300779 CAGE CODE: 2069248 DRAWING NO: 2069248	
1-PLC ±0.15		APPLICATION SPEC	RESTRICTED	
2-PLC ±0.13		WEIGHT	SCALE: 1:1 SHEET 3 OF 3 REV C	
3-PLC ±0.13		CUSTOMER DRAWING		
4-PLC ±0.000				
ANGLES ±0.2				
FINISH SEE NOTE				
MATERIAL SEE NOTE				