

4

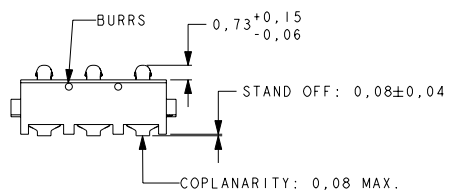
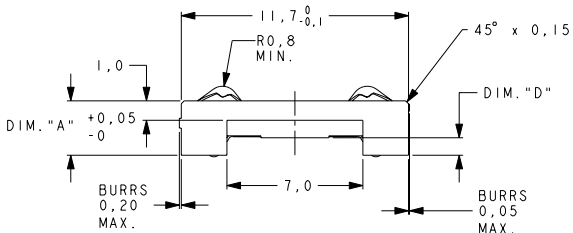
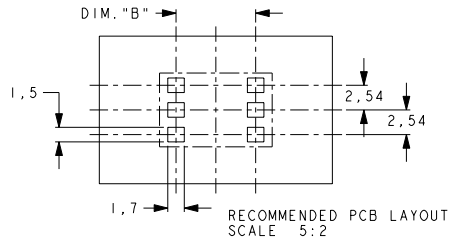
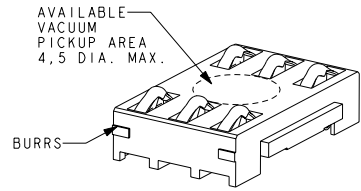
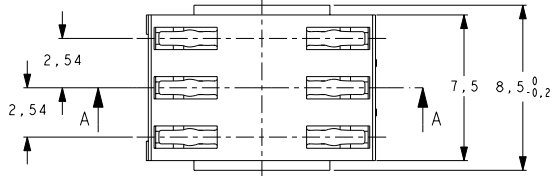
3

2

1

THIS DRAWING IS UNPUBLISHED. RELEASED FOR PUBLICATION
COPYRIGHT BY TYCO ELECTRONICS CORPORATION, ALL RIGHTS RESERVED.

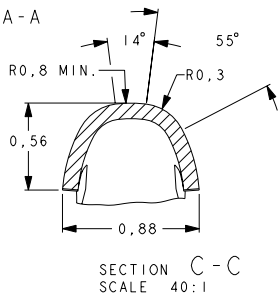
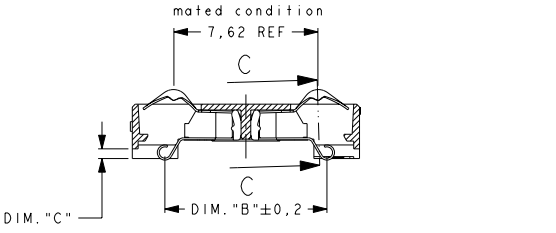
LOC	DIST	REVISIONS				
P	LTR	DESCRIPTION	DATE	DWN	APVD	
H	-	K5	ECR-07-029842	11DEC2007	WJ	DH



2-338063-8 AS SHOWN

MATERIAL & FINISH:
HOUSING: GF LIQUID CRISTAL POLYMER UL 94V-0, COLOUR BLACK
CONTACT: PHOSPHOR BRONZE
PLATING: - CARD SIDE 1,25 µm Au SELECTIVE
 - SOLDER SIDE 0,1-0,2 µm Au SELECTIVE
 - UNDER LAYER 1,3 µm Ni
PACKAGING: POCKET TAPE ACCORDING EIA 481-2 SEE SHEET 2

part number	DIM. "A"	DIM. "B"	DIM. "C"	DIM. "D"	TOOLED
1-338063-9	1,9	8,3	0,0	0,0	YES
2-338063-0	2,0	8,3	0,1	0,0	YES
2-338063-1	2,1	8,3	0,2	0,1	NOT YET
2-338063-2	2,2	8,3	0,3	0,2	YES
2-338063-3	2,3	8,3	0,4	0,3	NOT YET
2-338063-4	2,4	8,2	0,5	0,4	YES
2-338063-5	2,5	8,2	0,5	0,5	YES
2-338063-6	2,6	8,2	0,5	0,6	YES
2-338063-7	2,7	8,1	0,5	0,7	NOT YET
2-338063-8	2,8	8,1	0,5	0,8	YES
2-338063-9	2,9	9,3	0,5	0,9	NOT YET
3-338063-0	3,0	9,3	0,5	1,0	NOT YET
3-338063-1	3,1	9,2	0,5	1,1	NOT YET
3-338063-2	3,2	9,2	0,5	1,2	NOT YET
3-338063-3	3,3	9,1	0,5	1,3	NOT YET
3-338063-4	3,4	9,1	0,5	1,4	NOT YET
3-338063-5	3,5	9,0	0,5	1,5	YES
3-338063-6	3,6	8,9	0,5	1,6	NOT YET
3-338063-7	3,7	8,9	0,5	1,7	YES
3-338063-8	3,8	8,8	0,5	1,8	NOT YET
3-338063-9	3,9	8,7	0,5	1,9	NOT YET
4-338063-0	4,0	8,6	0,5	2,0	YES



<small>THIS DRAWING IS A CONTROLLED DOCUMENT FOR TYCO ELECTRONICS CORPORATION IT IS SUBJECT TO CHANGE AND THE CONTROLLING ENGINEERING ORGANIZATION SHOULD BE CONTACTED FOR THE LATEST REVISION.</small>		DWN: W. Jansen CHG: W. Jansen 07Nov96 APVD: C. v. Tilburg 07Nov96	Tyco Electronics Corporation 's-Hertogenbosch, Nederland
DIMENSIONS: mm TOLERANCES UNLESS OTHERWISE SPECIFIED: 0 PLC ± 1 PLC ± 2 PLC ± 3 PLC ± 4 PLC ± ANGLES ±	MATERIAL: - FINISH: -	NAME: W. Jansen PRODUCT SPEC: 108-19122 APPLICATION SPEC: 114-19054 WEIGHT: 0,22-0,29 gr.	NAME: GENERIC SIM CONTACT MODULE WITH CONTACT STOP SIZE: A3 CAGE CODE: 00779 DRAWING NO: C-338063 RESTRICTED TO: -
CUSTOMER DRAWING		SCALE: 5:1	SHEET 1 OF 2 REV K5

4

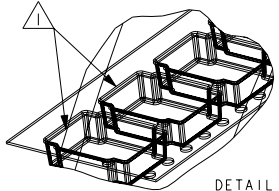
3

2

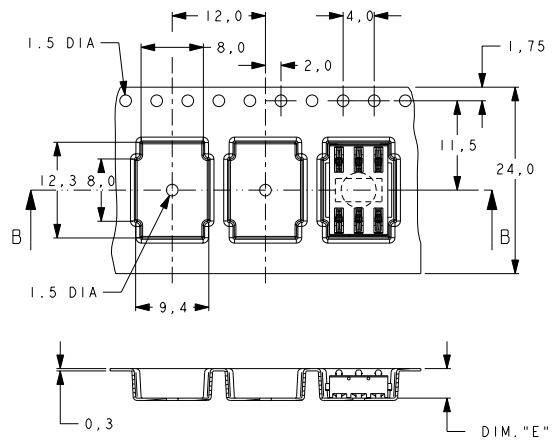
1

THIS DRAWING IS UNPUBLISHED. RELEASED FOR PUBLICATION
COPYRIGHT BY TYCO ELECTRONICS CORPORATION. ALL RIGHTS RESERVED.

LOC	DIST	REVISIONS					
H	-	P	LTR	DESCRIPTION	DATE	DWN	APVD
		-		SEE SHEET 1		-	-

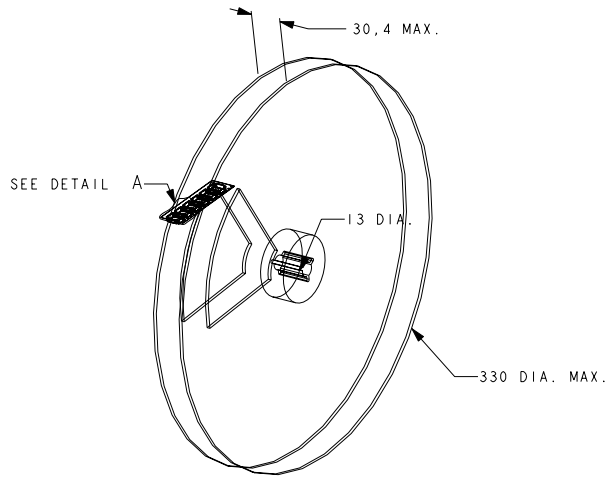


DETAIL A
SCALE 2:1



SECTION B-B

part number	POCKET TAPE VERSION	DIM. "E"
1-338063-9	LOW	3,8
2-338063-0	LOW	3,8
2-338063-1	LOW	3,8
2-338063-2	LOW	3,8
2-338063-3	LOW	3,8
2-338063-4	LOW	3,8
2-338063-5	LOW	3,8
2-338063-6	LOW	3,8
2-338063-7	LOW	3,8
2-338063-8	LOW	3,8
2-338063-9	HIGH	5,3
3-338063-0	HIGH	5,3
3-338063-1	HIGH	5,3
3-338063-2	HIGH	5,3
3-338063-3	HIGH	5,3
3-338063-4	HIGH	5,3
3-338063-5	HIGH	5,3
3-338063-6	HIGH	5,3
3-338063-7	HIGH	5,3
3-338063-8	HIGH	5,3
3-338063-9	HIGH	5,3
4-338063-0	HIGH	5,3



SCALE 3:10

NOTES:

- 1 THE FIRST 33 POCKETS ARE EMPTY AND THE LAST 14 POCKETS ARE EMPTY.
- ONE REEL CONTAINS 1400 PRODUCTS FOR LOW VERSION
- ONE REEL CONTAINS 1140 PRODUCTS FOR HIGH VERSION

SEALED COVER TAPE	PET/PE	TRANSPARENT
EMBOSSED CARRIER TAPE	PS	GREY
REEL	PS	GREY
DESCRIPTION	MATERIAL	COLOUR

DIMENSIONS:		TOLERANCES UNLESS OTHERWISE SPECIFIED:	
mm			
	0 PLC	±	
	1 PLC	±	
	2 PLC	±	
	3 PLC	±	
	4 PLC	±	
	ANGLES	±	
MATERIAL	FINISH		

OWN	W. Jansen	07Nov96	Tyco Electronics Corporation 's-Hertogenbosch, Nederland
CHK	W. Jansen	07Nov96	
APVD	C. v. Tilburg		NAME
PRODUCT SPEC			GENERIC SIM CONTACT MODULE WITH CONTACT STOP
APPLICATION SPEC			
114-19054	SIZE	CAGE CODE	DRAWING NO
WEIGHT	A3	00779	338063
CUSTOMER DRAWING	SCALE	5:1	SHEET 2 OF 2 REV K5