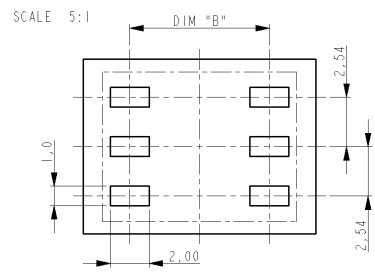
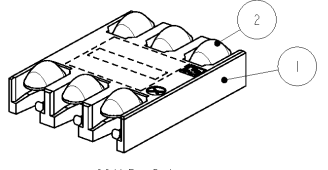
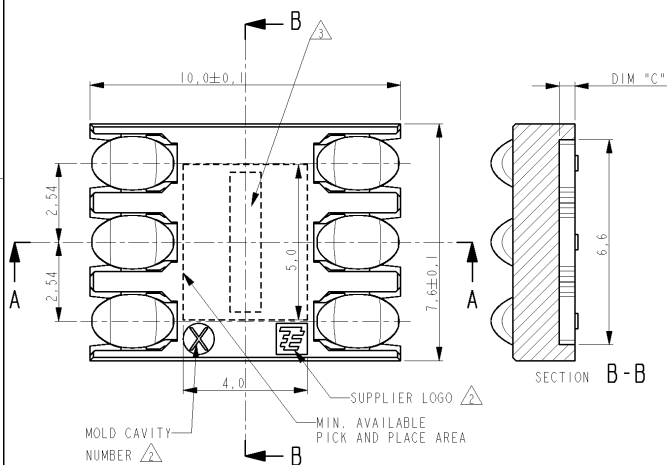
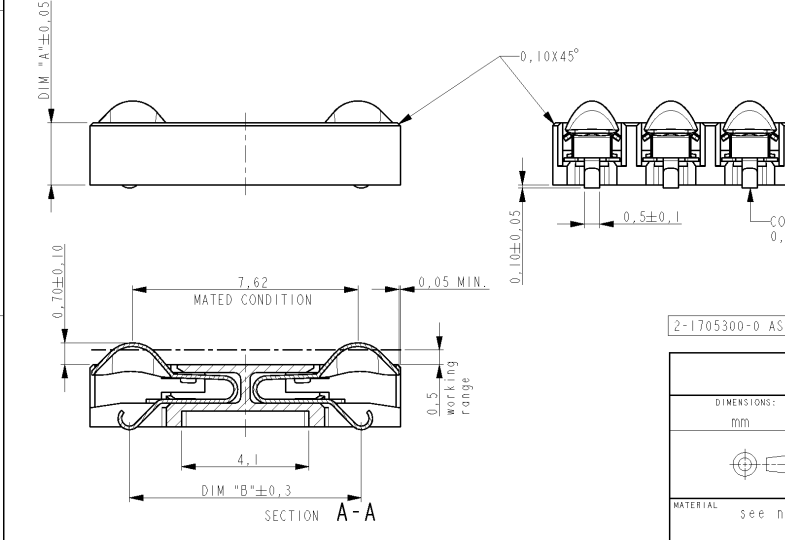


LOC	DIST	REVISIONS			
P	LTR	DESCRIPTION	DATE	DWN	AFVD
H1		REVISED PER ECO-11-005294	28APR11	RK	HMR



PARTNUMBER	WEIGHT	DIM A	DIM B	DIM C
5-1705300-0	0.34	5.00	6.6	3.5
4-1705300-9	0.33	4.90	7.6	3.4
4-1705300-8	0.33	4.80	6.6	3.3
4-1705300-7	0.32	4.70	7.6	3.2
4-1705300-6	0.32	4.60	6.9	3.1
4-1705300-5	0.32	4.50	7.7	3.0
4-1705300-4	0.31	4.40	6.8	2.9
4-1705300-3	0.31	4.30	7.6	2.8
4-1705300-2	0.30	4.20	6.8	2.7
4-1705300-1	0.30	4.10	7.5	2.6
4-1705300-0	0.29	4.00	6.8	2.5
3-1705300-9	0.29	3.90	7.5	2.4
3-1705300-8	0.28	3.80	7.1	2.3
3-1705300-7	0.28	3.70	7.6	2.2
3-1705300-6	0.27	3.60	7.1	2.1
3-1705300-5	0.27	3.50	7.6	2.0
3-1705300-4	0.26	3.40	6.7	1.9
3-1705300-3	0.26	3.30	7.3	1.8
3-1705300-2	0.25	3.20	7.7	1.7
3-1705300-1	0.25	3.10	7.0	1.6
3-1705300-0	0.24	3.00	7.4	1.5
2-1705300-9	0.24	2.90	7.7	1.4
2-1705300-8	0.23	2.80	6.9	1.3
2-1705300-7	0.23	2.70	7.2	1.2
2-1705300-6	0.23	2.60	7.5	1.1
2-1705300-5	0.22	2.50	7.7	1.0
2-1705300-4	0.22	2.40	7.1	0.9
2-1705300-3	0.21	2.30	7.3	0.8
2-1705300-2	0.20	2.20	7.3	0.7
2-1705300-1	0.20	2.10	7.5	0.6
2-1705300-0	0.20	2.00	7.5	0.5
1-1705300-9	0.19	1.90	7.6	0.4
1-1705300-8	0.19	1.80	7.7	0.3
1-1705300-7	0.18	1.70	7.8	0.2
1-1705300-6	0.18	1.60	7.8	0.1
1-1705300-5	0.18	1.50	7.8	0.0



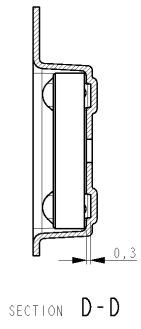
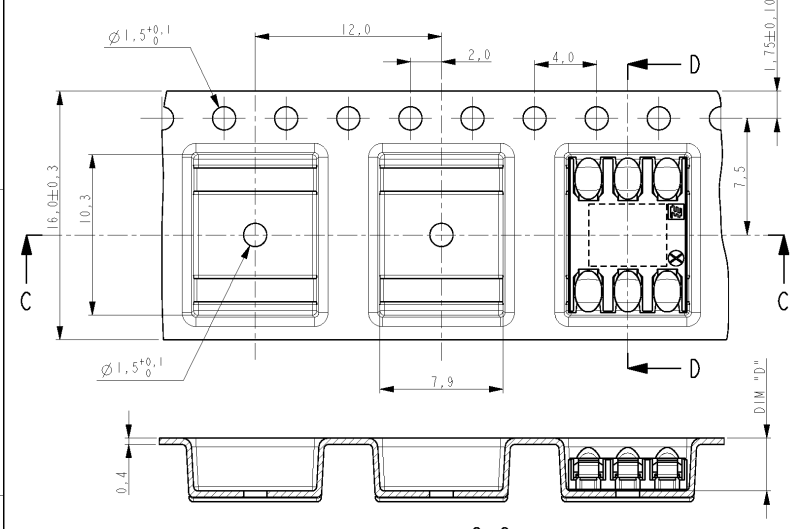
NOTES:
 1 CONTACT PLATING:
 1,2µm NICKEL UNDERLAYER
 1,25µm MIN. GOLD AT CARD SIDE
 0,1-0,2µm GOLD AT SOLDER SIDE
 MARKINGS ON RECESSED AREA
 LASER PRINTED: EXAMPLE: 3104 AH:
 DAY 3, WEEK 10, YEAR 2004.
 PRODUCTIONLINE A, PRODUCTION DRAWING REVISION H
 4 PACKAGING INFO SEE SHEET 2.

2-1705300-0 AS SHOWN

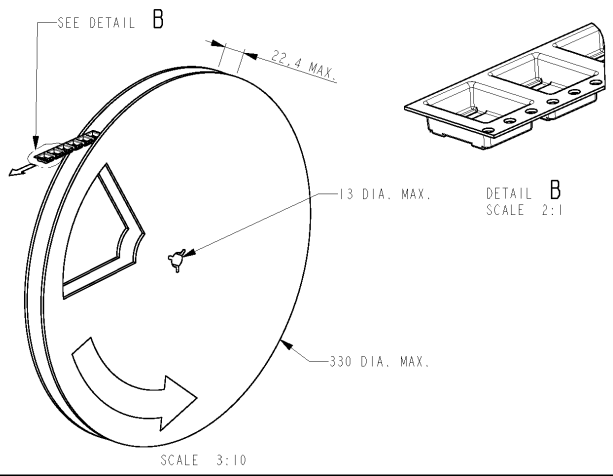
DIMENSIONS: mm		TOLERANCES UNLESS OTHERWISE SPECIFIED:		DWN W. Jansen 17-Sep-03		CHG W. Jansen 17-Sep-03		APVD P. Jansen 17-Sep-03		NAME		SIZE		CAGE CODE		DRAWING NO		RESTRICTED TO	
0 PLC	±	1 PLC	±0,1	1	W. Jansen	1	W. Jansen	1	P. Jansen	STE TE Connectivity		A3		00779		C-1705300		-	
2 PLC	±0,05	3 PLC	±	PRODUCT SPEC 108-19280		APPLICATION SPEC 114-19092		WEIGHT gram		SIM CONNECTOR 5 DIRECTIONAL 6 positions		SCALE 8:1		SHEET 1		OF 2		REV H1	
4 PLC	±	ANGLES	±	MATERIAL see notes		FINISH see notes		CUSTOMER DRAWING											

THIS DRAWING IS UNPUBLISHED. RELEASED FOR PUBLICATION
 © COPYRIGHT BY ALL RIGHTS RESERVED.

LOC	DIST	REVISIONS			
P	LTR	DESCRIPTION	DATE	DWN	APVD
-	-	SEE SHEET 1	-	-	-



SECTION C-C



DETAIL B
SCALE 2:1

NOTES:
 ▲ THE FIRST 33 POCKETS ARE EMPTY AND THE LAST 13 POCKETS ARE EMPTY.
 ONE REEL CONTAINS X PRODUCTS (SEE TABLE).

PARTNUMBER	DIM "D"	PRODUCTS/REEL
5-1705300-0	6,4	800
4-1705300-9	6,4	800
4-1705300-8	6,4	800
4-1705300-7	6,4	800
4-1705300-6	6,4	800
4-1705300-5	6,4	800
4-1705300-4	5,4	950
4-1705300-3	5,4	950
4-1705300-2	5,4	950
4-1705300-1	5,4	950
4-1705300-0	5,4	950
3-1705300-9	5,4	950
3-1705300-8	5,4	950
3-1705300-7	5,4	950
3-1705300-6	5,4	950
3-1705300-5	5,4	950
3-1705300-4	4,4	1150
3-1705300-3	4,4	1150
3-1705300-2	4,4	1150
3-1705300-1	4,4	1150
3-1705300-0	4,4	1150
2-1705300-9	4,4	1150
2-1705300-8	4,4	1150
2-1705300-7	4,4	1150
2-1705300-6	4,4	1150
2-1705300-5	4,4	1150
2-1705300-4	3,4	1450
2-1705300-3	3,4	1450
2-1705300-2	3,4	1450
2-1705300-1	3,4	1450
2-1705300-0	3,4	1450
1-1705300-9	3,4	1450
1-1705300-8	3,4	1450
1-1705300-7	3,4	1450
1-1705300-6	3,4	1450
1-1705300-5	3,4	1450

2-1705300-0 AS SHOWN

DESCRIPTION	MATERIAL	COLOUR
SEALED COVER TAPE	PET/PE	TRANSPARENT
EMBOSSED CARRIER TAPE	PS	GREY
REEL	PS	GREY

DIMENSIONS: mm 		TOLERANCES UNLESS OTHERWISE SPECIFIED: 0 PLC ± 1 PLC ±0,1 2 PLC ±0,05 3 PLC ± 4 PLC ± ANGLES ±		DWN W. Jansen 17-Sep-03 CHR W. Jansen 17-Sep-03 APVD P. Jaeger 17-Sep-03			
MATERIAL see notes FINISH see notes		PRODUCT SPEC 108-19280 APPLICATION SPEC 114-19092 WEIGHT gram		NAME SIM CONNECTOR 5 DIRECTIONAL 6 positions		SIZE A3 CAGE CODE 00779 DRAWING NO. C-1705300 RESTRICTED TO	
CUSTOMER DRAWING				SCALE 8:1	SHEET 2	OF 2	REV H1