

4

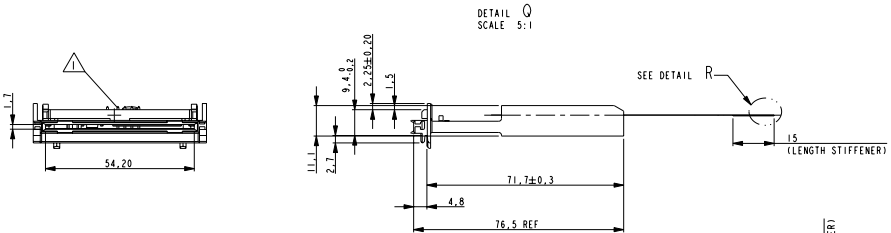
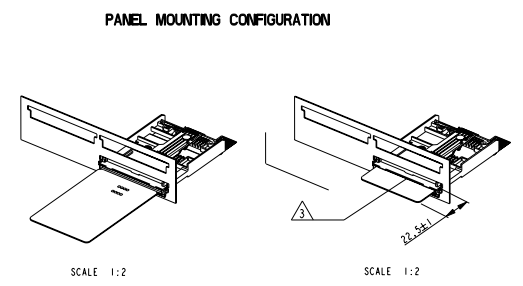
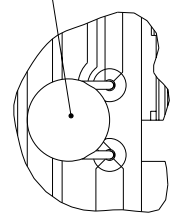
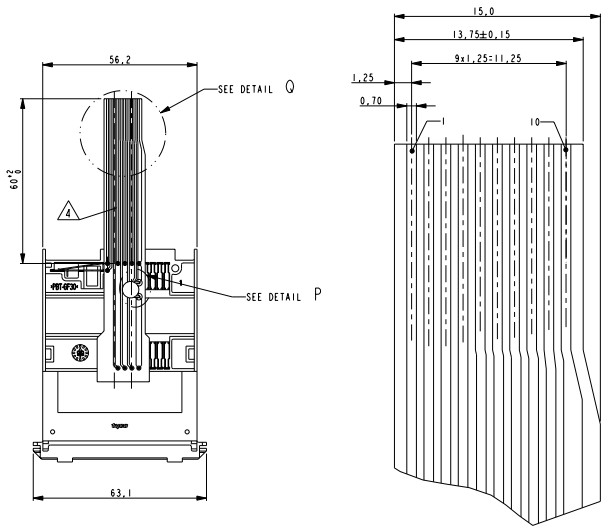
3

2

1

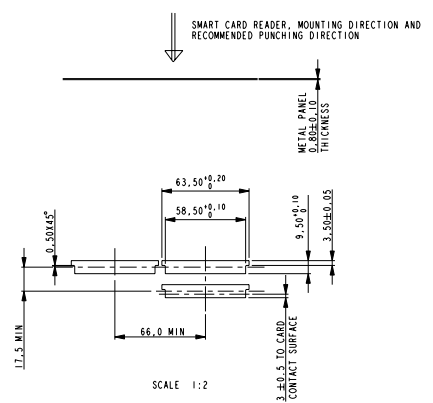
THIS DRAWING IS UNPUBLISHED. RELEASED FOR PUBLICATION. ALL RIGHTS RESERVED.

LOC	DISP	REVISIONS			
P	LYA	DESCRIPTION	DATE	DRW	APVSD
C		ECR-09-024818	12 NOV 2009	GG	PCH
C1		ECR-11-004915	08 MAR 2011	GG	PKS

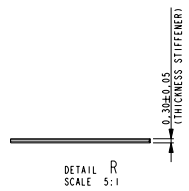


PN 1857012-1 AS SHOWN

RECOMMENDED METAL PANEL CUT-OUT



- NOTES:
- CONTACTS PLATING :
    - OVERALL: Ni 2µm MIN. ALL OVER THE CONTACTS.
    - SOLDER ZONE: Sn 2.5µm MIN ON THE SOLDER ZONE OF THE CONTACTS.
    - MATING ZONE: PLATING CONFIRMS TO PRODUCT REQUIREMENTS AS PER SPECIFICATION 108-15202.
  - MATERIAL :
    - HOUSING: PBT-GF, BLACK UL 94V0.
    - CONTACTS: PHOSPHOR BRONZE.
    - TE SMART CARD RECEPTACLE DESIGNED TO ACCEPT ISO 7810-7816 TYPE INTEGRATED CIRCUIT SMART CARDS (0.76MM REF. THICKNESS)
    - BASE FILM: POLYESTER, THICKNESS 100 µm
    - CONDUCTOR: COPPER, THICKNESS 35 µm
    - COVERCOATING: COLOR GREEN, THICKNESS 15-25 µm



THIS DRAWING IS A CONTROLLED DOCUMENT. DWG NO. 23 FEB 2005

DESIGNED BY: J. V. D. HEIJDEN

APPROVED BY: J. JAEGER

NAME: BROEKSTEEG

PRODUCT SPEC: SMART CARD READER, 8 POS.

APPLICATION SPEC: PANEL MOUNT VERSION WITH FPC 10 POS.

PITCH: 1.25 MM

SIZE: A2

CAGE CODE: 00779

DRAWING NO: 1857012

RESTRICTED TO: -

CUSTOMER DRAWING

SCALE: 1:1

SHEET: 1 OF 1

REV: C1