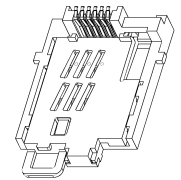
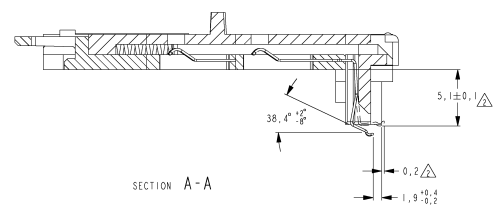


LOC	DIST	REVISIONS			
P	LYE	DESCRIPTION	DATE	DAW	APVD
A		EH00-0140-01	31JAN01	-	JvdH
A1		ECR-09-022508	2502C2009	AEG	JHA



SCALE 2:1

- NOTES:
- △ END STAGE OF THE LOCKING LEVER WHILE REMOVING THE SIM-CARD.
 - △ MINIMUM DIMENSION, POSITION OF THE CONTACT AFTER MOUNTING ON THE PCB.
(INSIDE THE DIMENSIONS OF THE HOUSING.)
 - 3) SUPERCEDES DRAWING V 23533-A9222-A106-4-7626.



SECTION A-A

1393701-1 AS SHOWN.

DIMENSIONS: mm		TOLERANCES UNLESS OTHERWISE SPECIFIED: 0 PLC ±0.1 1 PLC ±0.1 2 PLC ±0.1 3 PLC ±0.1 4 PLC ±0.1 ANGLES ±0.1		DWG: J.V.D. HEIJDEN CD: B. TRIPPE APPR: C.V. TILBURG PRODUCT SPEC: APPLICATION SPEC	Iyco Electronics Corporation 's-Hertogenbosch, Nederland SIM READER ASSEMBLY, SOLDERLESS.
MATERIAL:	FENNER	WEIGHT:	-	SIXE: A2	CASE CODE: 00778
CUSTOMER DRAWING		DRAWING NO:	1393701	RESTRICTED TO:	-
		SCALE:	1:1	SHEET:	1 OF 4
				REV:	A1

4

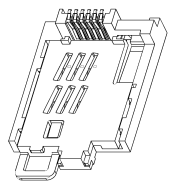
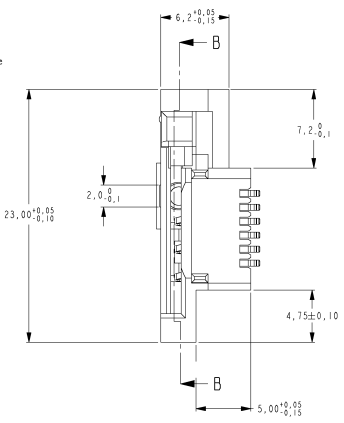
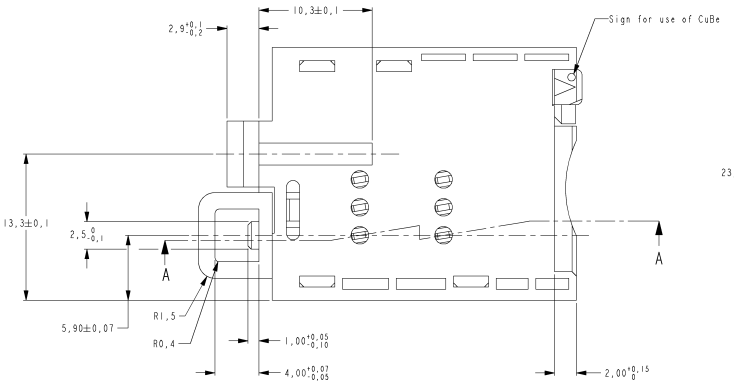
3

2

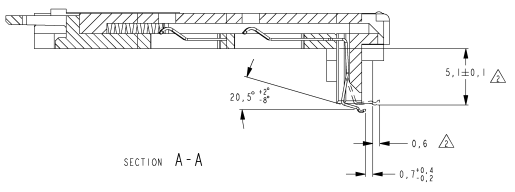
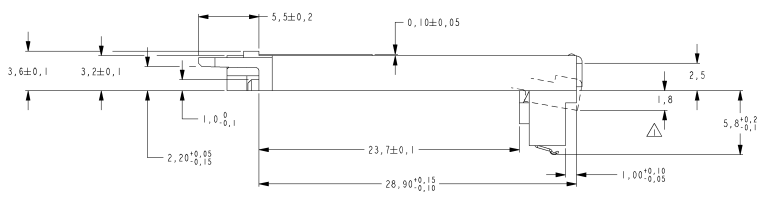
1

THIS DRAWING IS UNPUBLISHED. RELEASED FOR PUBLICATION 2009
BY TYCO ELECTRONICS CORPORATION. ALL INTERNATIONAL RIGHTS RESERVED.
COPYRIGHT 2009

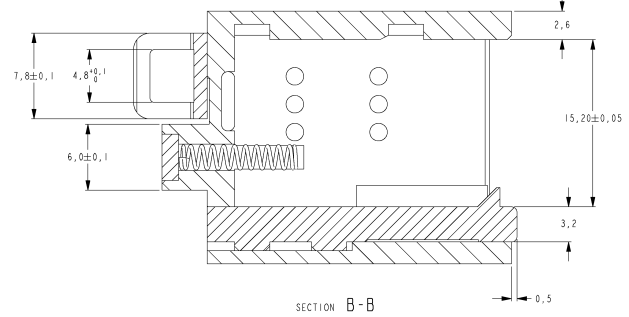
LOC	DIST	REV	DESCRIPTION	DATE	BY	APPD
H	-	P	LYE	-	-	-
		-	SEE SHEET 1			



NOTES:
 △ END STAGE OF THE LOCKING LEVER WHILE REMOVING THE SIM-CARD.
 △ MAXIMUM DIMENSION, POSITION OF THE CONTACT AFTER MOUNTING ON THE PCB.
 (INSIDE THE DIMENSIONS OF THE HOUSING.)
 3) SUPERCEDES DRAWING V 23533 A9222-A206-4-7626.



1393701-2 AS SHOWN.



DIMENSIONS: mm TOLERANCES UNLESS OTHERWISE SPECIFIED: 0 PLC ±0,1 1 PLC ±0,2 2 PLC ±0,3 3 PLC ±0,4 4 PLC ±0,5 ANGLES ±0,5		DWG: J. V. D. HEIJDEN CD: B. TRIPPE APPR: C. V. TILBURG PRODUCT SPEC: APPLICATION SPEC WEIGHT: - CUSTOMER DRAWING	3 JAN 01 Tyco Electronics Tyco Electronics Corporation 's-Hertogenbosch, Nederland SIM READER ASSEMBLY, SOLDERLESS.	SIZE: A2 CASE CODE: 00778 DRAWING NO: 1393701 RESTRICTED TO: - SCALE: 1:1 SHEET: 2 OF 4 REV: A.1
---	--	--	---	--

4

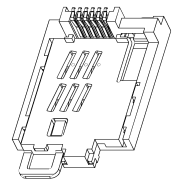
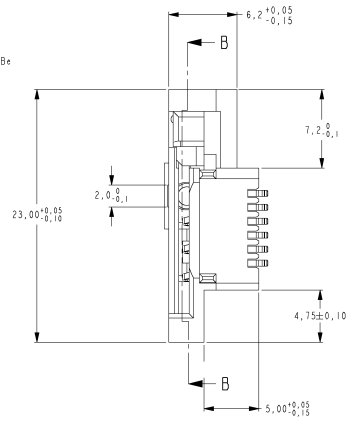
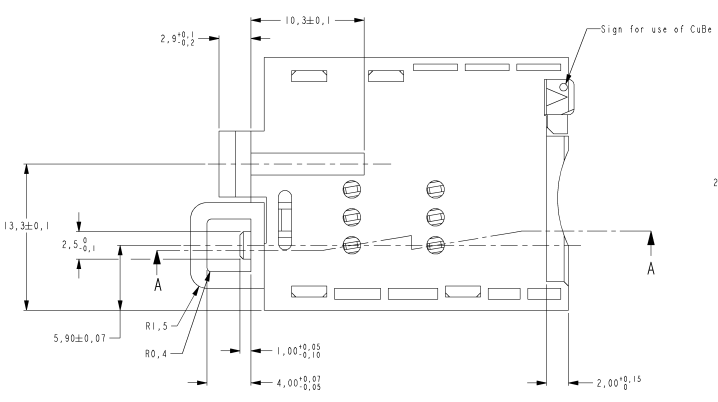
3

2

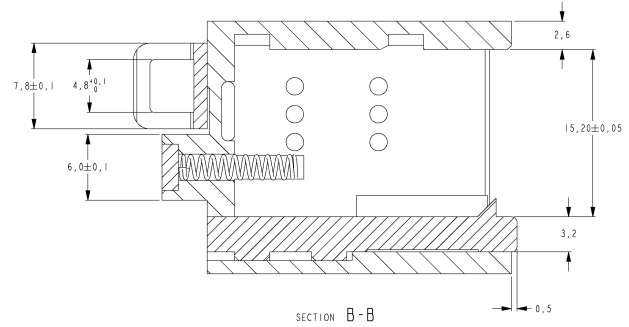
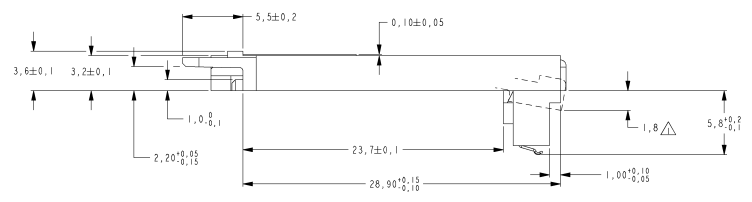
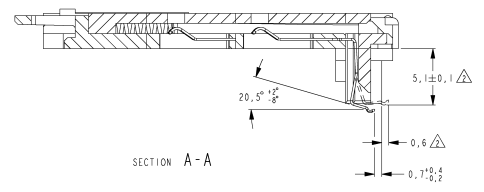
1

THIS DRAWING IS UNPUBLISHED. RELEASED FOR PUBLICATION 2009
 BY TYCO ELECTRONICS CORPORATION. ALL INTERNATIONAL RIGHTS RESERVED.
 COPYRIGHT 2009

LOC	DIST	REV	DESCRIPTION	DATE	BY	APPD
H	-	P	LYE	-	-	-
		-	SEE SHEET 1			



- NOTES:
- △ END STAGE OF THE LOCKING LEVER WHILE REMOVING THE SIM-CARD.
 - △ MAXIMUM DIMENSION, POSITION OF THE CONTACT AFTER MOUNTING ON THE PCB. (INSIDE THE DIMENSIONS OF THE HOUSING.)
 - 3) SUPERCEDES DRAWING V 23533-A9222-A306-4-7626.



OBSELETE 1393701-3 AS SHOWN.

DIMENSIONS: mm TOLERANCES UNLESS OTHERWISE SPECIFIED: 0 PLC ±0.1 1 PLC ±0.1 2 PLC ±0.1 3 PLC ±0.1 4 PLC ±0.1 ANGLES ±0.1°		DWG: J. V. D. HEIJDEN CD: B. TRIPPE APPD: C. V. TILBURG PRODUCT SPEC: APPLICATION SPEC WEIGHT: - MATERIAL: FENESTER	3 JAN 01 Tyco Electronics Corporation 's-Hertogenbosch, Nederland SIM READER ASSEMBLY, SOLDERLESS.	SIZE: A2 CASE CODE: 00778 DRAWING NO: 1393701 RESTRICTED TO: - SCALE: 1:1 SHEET: 3 OF 4 REV: A.1
--	--	--	---	--

4

3

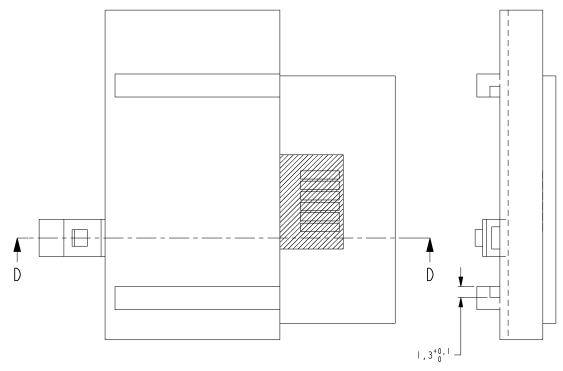
2

1

THIS DRAWING IS UNPUBLISHED. RELEASED FOR PUBLICATION 2009
COPYRIGHT 2009 BY TYCO ELECTRONICS CORPORATION. ALL INTERNATIONAL RIGHTS RESERVED.

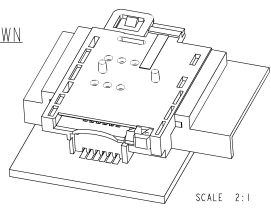
LOC	DIST	REV	DESCRIPTION	DATE	BY	APPD
h	-	P	LYR	-	-	-
-	-	-	SEE SHEET 1	-	-	-

MOUNTING REQUIREMENTS FOR HOUSING AND PCB.

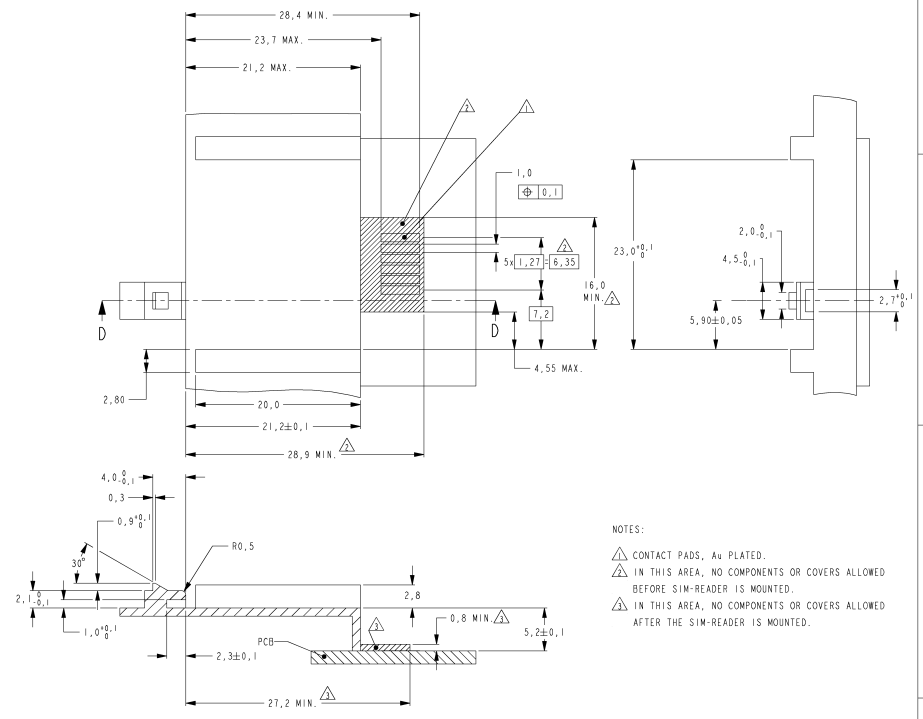


SECTION D-D

FOR 1393701-1 AND -2 AS SHOWN
FOR ALL OTHER DIMENSIONS SEE 1393701-3



SCALE 2:1



SECTION D-D

FOR 1393701-3 AS SHOWN. OBSOLETE

- NOTES:
- △ CONTACT PADS, Au PLATED.
 - △ IN THIS AREA, NO COMPONENTS OR COVERS ALLOWED BEFORE SIM-READER IS MOUNTED.
 - △ IN THIS AREA, NO COMPONENTS OR COVERS ALLOWED AFTER THE SIM-READER IS MOUNTED.

DIMENSIONS: mm 0 PLC ±0.1 1 PLC ±0.1 2 PLC ±0.1 3 PLC ±0.1 4 PLC ±0.1 ANGLES ±0.1 FINISH ±0.1		TOLERANCES UNLESS OTHERWISE SPECIFIED: DIMENSIONS IN MILLIMETERS OPERATIONAL SPECIFICATIONS	DWG: J. V. D. HEIJDEN CD: B. TRIPPE APPR: C. V. TILBURG PRODUCT SPEC: APPLICATION SPEC WEIGHT: - CUSTOMER DRAWING	3 JAN 01 Tyco Electronics Corporation 's-Hertogenbosch, Nederland Eng. oblig. for Deliv. SIM READER	SIZE: A2 CASE CODE: 00778 DRAWING NO: 1393701 RESTRICTED TO: - SCALE: 3:1 SHEET: 4 OF 4 REV: A1
---	--	---	--	--	---