

4

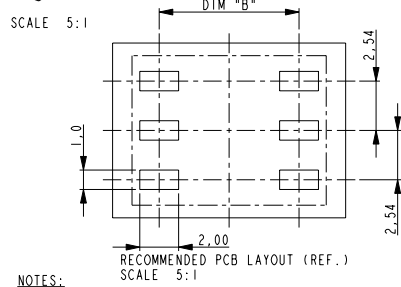
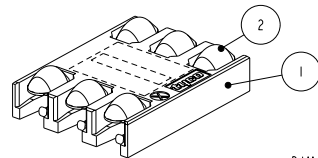
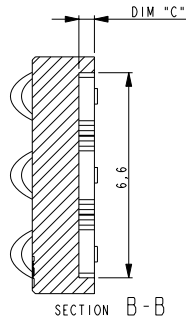
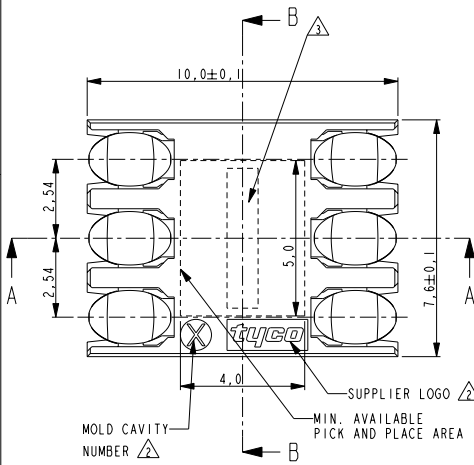
3

2

1

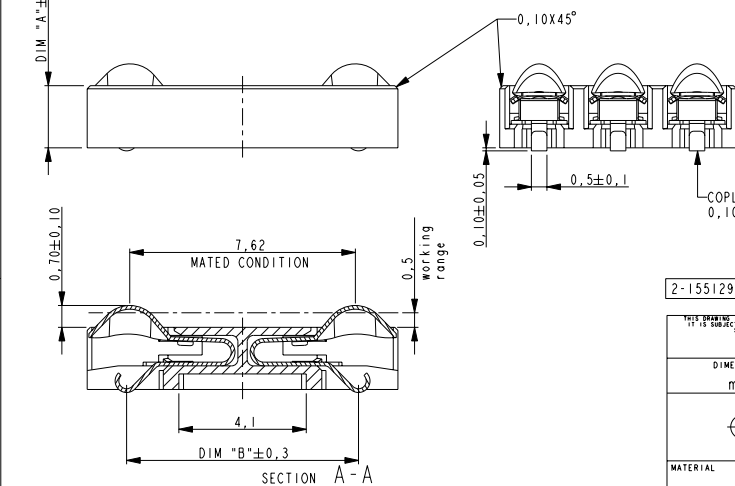
THIS DRAWING IS UNPUBLISHED. RELEASED FOR PUBLICATION
COPYRIGHT BY TYCO ELECTRONICS CORPORATION. ALL RIGHTS RESERVED.

LOC	DIST	REVISIONS				
P	LTR	DESCRIPTION	DATE	OWN	APVD	
A		Release For Production	18JUN2009	WJ	DH	



PARTNUMBER	WEIGHT	DIM A	DIM B	DIM C
5-1551295-0	0.34	5.00	6.6	3.5
4-1551295-9	0.33	4.90	7.6	3.4
4-1551295-8	0.33	4.80	6.6	3.3
4-1551295-7	0.32	4.70	7.6	3.2
4-1551295-6	0.32	4.60	6.9	3.1
4-1551295-5	0.32	4.50	7.7	3.0
4-1551295-4	0.31	4.40	6.8	2.9
4-1551295-3	0.31	4.30	7.6	2.8
4-1551295-2	0.30	4.20	6.8	2.7
4-1551295-1	0.30	4.10	7.5	2.6
4-1551295-0	0.29	4.00	6.8	2.5
3-1551295-9	0.29	3.90	7.5	2.4
3-1551295-8	0.28	3.80	7.1	2.3
3-1551295-7	0.28	3.70	7.6	2.2
3-1551295-6	0.27	3.60	7.1	2.1
3-1551295-5	0.27	3.50	7.6	2.0
3-1551295-4	0.26	3.40	6.7	1.9
3-1551295-3	0.26	3.30	7.3	1.8
3-1551295-2	0.25	3.20	7.7	1.7
3-1551295-1	0.25	3.10	7.0	1.6
3-1551295-0	0.24	3.00	7.4	1.5
2-1551295-9	0.24	2.90	7.7	1.4
2-1551295-8	0.23	2.80	6.9	1.3
2-1551295-7	0.23	2.70	7.2	1.2
2-1551295-6	0.23	2.60	7.5	1.1
2-1551295-5	0.22	2.50	7.7	1.0
2-1551295-4	0.22	2.40	7.1	0.9
2-1551295-3	0.21	2.30	7.3	0.8
2-1551295-2	0.20	2.20	7.3	0.7
2-1551295-1	0.20	2.10	7.5	0.6
2-1551295-0	0.20	2.00	7.5	0.5
1-1551295-9	0.19	1.90	7.6	0.4
1-1551295-8	0.19	1.80	7.7	0.3
1-1551295-7	0.18	1.70	7.8	0.2
1-1551295-6	0.18	1.60	7.8	0.1
1-1551295-5	0.18	1.50	7.8	0.0

- NOTES:
- CONTACT PLATING:
1.2µm NICKEL UNDERLAYER
0.5µm MIN. GOLD AT CARD SIDE
0.1-0.2µm GOLD AT SOLDER SIDE
 - MARKINGS ON RECESSED AREA
 - LASER PRINTED: EXAMPLE: 3109 AH:
DAY 3, WEEK 10, YEAR 2009,
PRODUCTIONLINE A, PRODUCTION DRAWING REVISION A
 - PACKAGING INFO SEE SHEET 2.
 - ACCORDING TO PRODUCT SPEC 108-19280 EXCEPT FOR MECHANICAL OPERATIONS TILL 1500 CYCLES

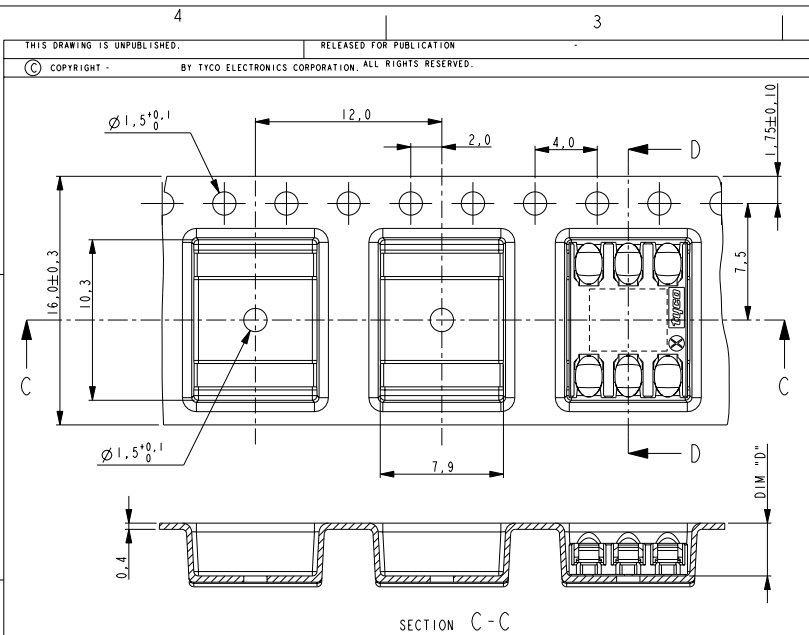


2-1551295-0 AS SHOWN

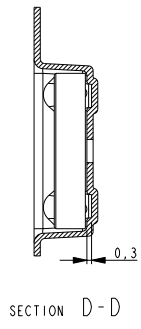
2	CONTACT	COPPER ALLOY		SEE NOTES
1	HOUSING	GF LIQUID CRISTAL POLYMER		BLACK
ITEM NO.	DESCRIPTION	MATERIAL	FINISH	
18-Jun-09	W. Jansen	TYCO ELECTRONICS NEDERLAND B.V.		
18-Jun-09	W. Jansen	's-HERTOGENBOSCH, THE NETHERLANDS		
18-Jun-09	D. Halberstadt	NAME		
PRODUCT SPEC		SIM CONNECTOR		
APPLICATION SPEC		5 DIRECTIONAL		
114-19092		6 positions		
SIZE	CAGE CODE	DRAWING NO	RESTRICTED TO	
A3	00779	C-1551295	-	
WEIGHT		gram	SCALE	8:
CUSTOMER DRAWING		SHEET	1	OF 2
		REV	A	

DIMENSIONS:		TOLERANCES UNLESS OTHERWISE SPECIFIED:	
mm		0 PLC	±
		1 PLC	±0.1
		2 PLC	±0.05
		3 PLC	±
		4 PLC	±
		ANGLES	±
MATERIAL	see notes	FINISH	see notes

AMP 1470-19 REV 31MAR2000
Prof/ENGINEER DRAWING

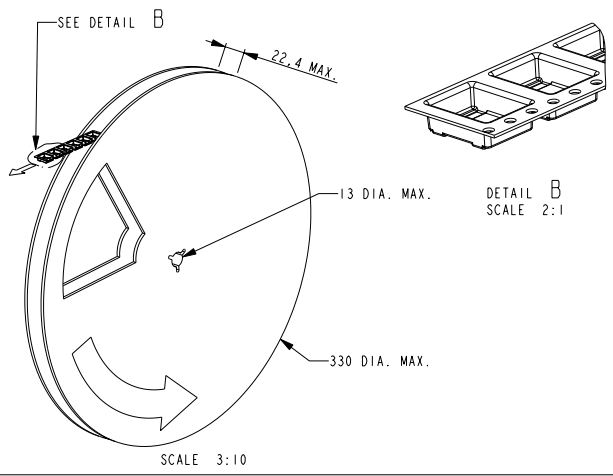


LOC	DIST	REVISIONS			
P	LTR	DESCRIPTION	DATE	DNW	APVD
H	-	SEE SHEET 1			



PARTNUMBER	DIM "D"	PRODUCTS/REEL
5-1551295-0	6,4	800
4-1551295-9	6,4	800
4-1551295-8	6,4	800
4-1551295-7	6,4	800
4-1551295-6	6,4	800
4-1551295-5	6,4	800
4-1551295-4	5,4	950
4-1551295-3	5,4	950
4-1551295-2	5,4	950
4-1551295-1	5,4	950
4-1551295-0	5,4	950
3-1551295-9	5,4	950
3-1551295-8	5,4	950
3-1551295-7	5,4	950
3-1551295-6	5,4	950
3-1551295-5	5,4	950
3-1551295-4	4,4	1150
3-1551295-3	4,4	1150
3-1551295-2	4,4	1150
3-1551295-1	4,4	1150
3-1551295-0	4,4	1150
2-1551295-9	4,4	1150
2-1551295-8	4,4	1150
2-1551295-7	4,4	1150
2-1551295-6	4,4	1150
2-1551295-5	4,4	1150
2-1551295-4	3,4	1450
2-1551295-3	3,4	1450
2-1551295-2	3,4	1450
2-1551295-1	3,4	1450
2-1551295-0	3,4	1450
1-1551295-9	3,4	1450
1-1551295-8	3,4	1450
1-1551295-7	3,4	1450
1-1551295-6	3,4	1450
1-1551295-5	3,4	1450

SECTION C-C



NOTES:
 ▲ THE FIRST 33 POCKETS ARE EMPTY AND THE LAST 13 POCKETS ARE EMPTY.
 ONE REEL CONTAINS X PRODUCTS (SEE TABLE).

2-1551295-0 AS SHOWN

DESCRIPTION	MATERIAL	COLOUR
SEALED COVER TAPE	PET/PE	TRANSPARENT
EMBOSSED CARRIER TAPE	PS	GREY
REEL	PS	GREY

<small>THIS DRAWING IS A CONTROLLED DOCUMENT FOR TYCO ELECTRONICS CORPORATION IT IS SUBJECT TO CHANGE AND THE CONTROLLING ENGINEERING ORGANIZATION SHOULD BE CONTACTED FOR THE LATEST REVISION.</small>		DWN W. Jansen 18-Jun-09 CHG W. Jansen 18-Jun-09 APVD D. Halberstadt 18-Jun-09	TYCO ELECTRONICS NEDERLAND B.V. 's-HERTOGENBOSCH, THE NETHERLANDS
DIMENSIONS: mm 	TOLERANCES UNLESS OTHERWISE SPECIFIED: 0 PLC ± 1 PLC ±0,1 2 PLC ±0,05 3 PLC ± 4 PLC ± ANGLES ±	NAME: SIM CONNECTOR 5 DIRECTIONAL 6 positions	RESTRICTED TO: -
MATERIAL: see notes	FINISH: see notes	APPLICATION SPEC: 108-19280 WEIGHT: 114-19092 gram SIZE: A3 CAGE CODE: 00779 DRAWING NO: C-1551295	CUSTOMER DRAWING: - SCALE: 8:1 SHEET: 2 of 2 REV: A

AMP 1470-19 REV 31MAR2000