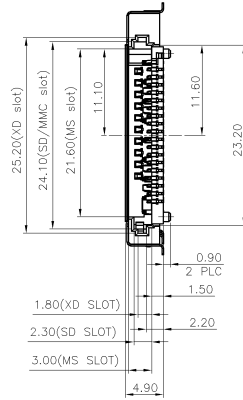
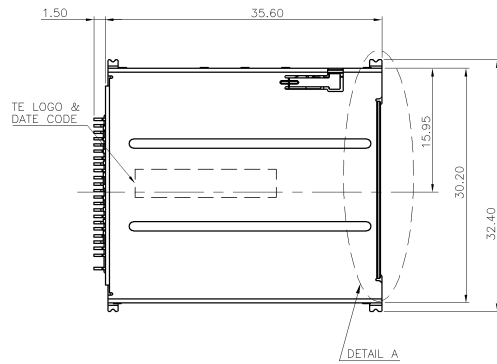
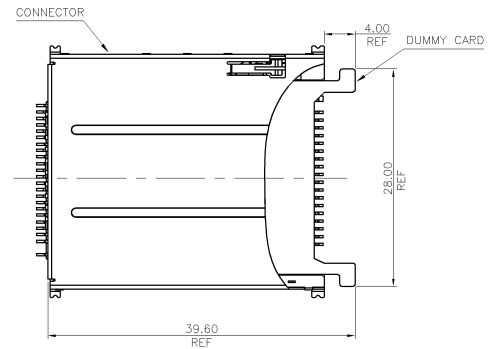


THIS DRAWING IS UNPUBLISHED. RELEASED FOR PUBLICATION
 © COPYRIGHT - BY TYCO ELECTRONICS CORPORATION. ALL RIGHTS RESERVED.

LOC	DIST	REVISIONS			
P	LTR	DESCRIPTION	DATE	DWN	APVD
B		REVISED (ECR-09-018382)	31AUG09	JL	WK

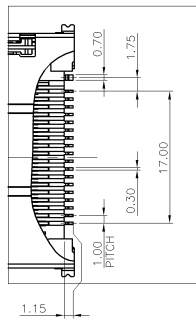
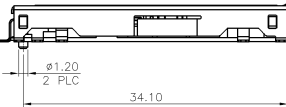


NOTE:
 1. MATERIAL:
 HOUSING: PA9T WITH 35% GF, UL 94V-0, BLACK COLOR.
 CONTACTS: PHOSPHOR BRONZE.
 SHELL: STAINLESS SHELL.
 SPRING: SWP
 DUMMY CARD: PA9T
 2. FINISH:
 CONTACTS: (SEE TABLE) SELECTIVE GOLD PLATED ON CONTACT AREA,
 GOLD FLASH ON SOLDERTAILS, WITH ENTIRE CONTACT
 UNDERPLATED 1.27μm~2.54μm [50u"~100u"] MIN. NICKEL.
 SHELL: 0.0254μm [1u"] SELECTIVE GOLD FLASH PLATED ON SOLDERTAILS.
 SPRING: 2.032μm [80u"] NICKEL.
 3. REFLOW SOLDER CAPABLE TO 260°C PER TE SPEC 109-201, CONDITION B.

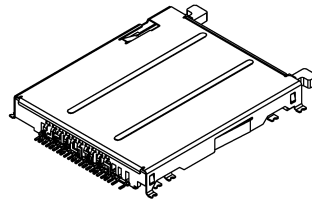


WITH DUMMY CARD CONDITION

0.12
 ALL SOLDERTAILS
 AND FEES



DETAIL A

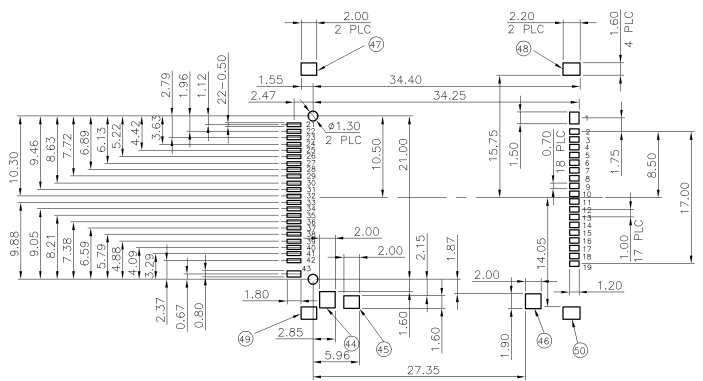


0.762μm [30μ"]	1775524-2
0.381μm [15μ"]	1775524-1
MIN. GOLD THICKNESS	PART NUMBER

THIS DRAWING IS A CONTROLLED DOCUMENT.		DWN		31AUG2009		Tyco Electronics Corporation	
DIMENSIONS:		CHK	J. LAI	31AUG2009		Tyco Electronics Corporation	
TOLERANCES UNLESS OTHERWISE SPECIFIED:		APVD	S. CHIEN	31AUG2009		Taipei, Taiwan	
MM		NAME		Tyco Electronics Corporation			
0 PLC ± 0.5		W. KODAMA		4 IN 1 COMBO PUSH/PUSH CONNECTOR			
1 PLC ± 0.3		PRODUCT SPEC		(SD/MMC4.0/MS/XD)			
2 PLC ± 0.2		QUALIFICATION TEST REPORT		108-57648			
3 PLC ± -		WEIGHT		5.23 GRAMS			
4 PLC ± -		SIZE		A3		CAGE CODE	
ANGLES ± -		DRAWING NO		00779		DRAWING NO	
MATERIAL		FINISH		C=1775524		RESTRICTED TO	
SEE NOTE		SEE NOTE		CUSTOMER DRAWING		SCALE	
						SHEET 1 OF 4	
						REV B	

THIS DRAWING IS UNPUBLISHED. RELEASED FOR PUBLICATION
 © COPYRIGHT BY TYCO ELECTRONICS CORPORATION. ALL RIGHTS RESERVED.

LOC	DIST	REVISIONS					
DW	—	P	LTR	DESCRIPTION	DATE	DWN	APVD
				SEE SHEET 1.			

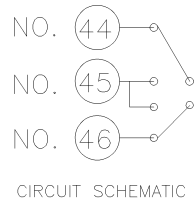


RECOMMENDED P.C.B. LAYOUT
 TOLERANCES: ±0.05mm

XD		SD/MMC4.0		MS (MS PRO)	
PIN #	NAME	PIN#	NAME	PIN #	NAME
1	NC	43	DAT1	40	VSS
2	CD	42	DAT0	37	BS
3	R/-B	41	DAT7	35	VCC (DATA1)
4	/RE	39	VSS2	34	SDIO (DATA0)
5	/CE	38	DAT6	32	Reserved (DATA2)
6	CLE	36	CLK	31	INS
7	ALE	33	VDD	28	Reserved (DATA3)
8	/WE	30	VSS1	25	SCLK
9	/WP	29	DAT5	23	VCC
10	GND	27	CMD	22	VSS
11	D0	26	DAT4		
12	D1	24	CD/DAT3		
13	D2	21	DAT2		
14	D3				
15	D4				
16	D5				
17	D6				
18	D7				
19	Vcc				

Pad #	Description
(44)	SD_CD
(45)	SD COMMON GND
(46)	SD_WP
(47)	GND
(48)	GND
(49)	GND
(50)	GND

PIN ASSIGNMENT TABLE



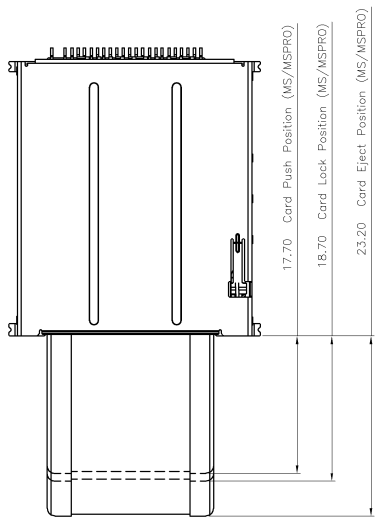
RELATION OF DETECTION SWITCHES CONDITION

Terminal Number	(44) — (45)		(45) — (46)	
	Card attach condition	Card detect switch	Write enable	Write unable
Card not attached	Open	Open	Open	Open
Card attached	Closed	Closed	Closed	Open

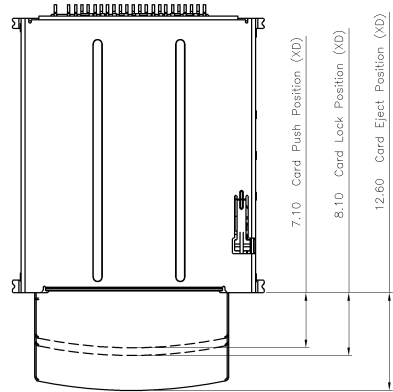
THIS DRAWING IS A CONTROLLED DOCUMENT.		DWN _____ CHK _____ APVD _____		Tyco Electronics Corporation Taipei, Taiwan	
DIMENSIONS: MM 		TOLERANCES UNLESS OTHERWISE SPECIFIED: 0 PLC ± 0.8 1 PLC ± 0.3 2 PLC ± 0.2 3 PLC ± — 4 PLC ANGLES ± —		NAME	
MATERIAL SEE NOTE		FINISH SEE NOTE		4 IN 1 COMBO PUSH/PUSH CONNECTOR (SD/MMC4.0/MS/XD)	
		QUALIFICATION TEST REPORT WEIGHT		SIZE CAGE CODE DRAWING NO. RESTRICTED TO A3 00779 C=1775524	
CUSTOMER DRAWING			SCALE —	SHEET 2 of 4	REV B

THIS DRAWING IS UNPUBLISHED. RELEASED FOR PUBLICATION
 © COPYRIGHT - BY TYCO ELECTRONICS CORPORATION. ALL RIGHTS RESERVED.

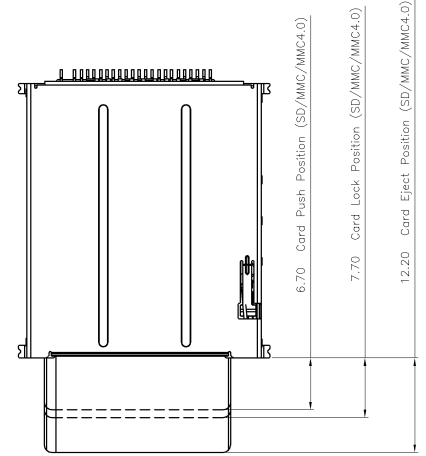
LOC	DIST	REVISIONS				
P	LTR	DESCRIPTION	DATE	DWN	APVD	
		SEE SHEET 1.				



(MS/MSPRO)
 INSERTION CONDITION
 REFERENCE



(XD)
 INSERTION CONDITION
 REFERENCE

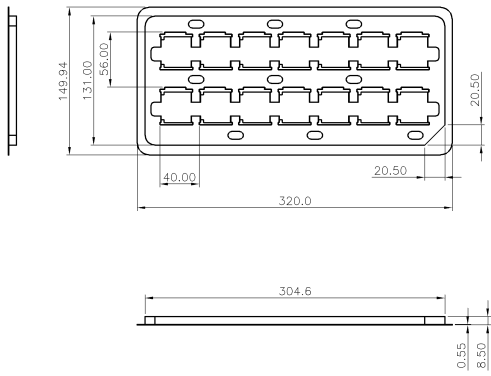


(SD/MMC/MMC4.0)
 INSERTION CONDITION
 REFERENCE

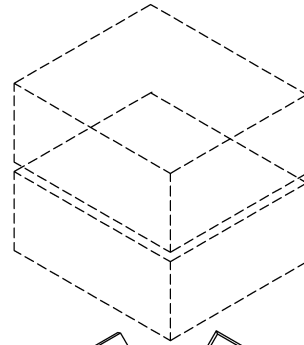
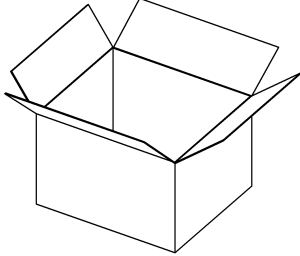
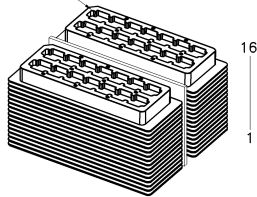
THIS DRAWING IS A CONTROLLED DOCUMENT.		DWN	Tyco Electronics Corporation Taipei, Taiwan	
DIMENSIONS: MM		CHK	NAME	
TOLERANCES UNLESS OTHERWISE SPECIFIED:		APVD	4 IN 1 COMBO PUSH/PUSH CONNECTOR (SD/MMC4.0/MS/XD)	
0 PLC ± -		PRODUCT SPEC	SIZE	CAGE CODE
1 PLC ± -		QUALIFICATION TEST REPORT	A3	00779
2 PLC ± -		WEIGHT	DRAWING NO. C-1775524	
3 PLC ± -		CUSTOMER DRAWING	SCALE	SHEET
4 PLC ± -				3 of 4
ANGLES ± -				REV B
MATERIAL SEE NOTE	FINISH SEE NOTE			

THIS DRAWING IS UNPUBLISHED. RELEASED FOR PUBLICATION
 © COPYRIGHT BY TYCO ELECTRONICS CORPORATION. ALL RIGHTS RESERVED.

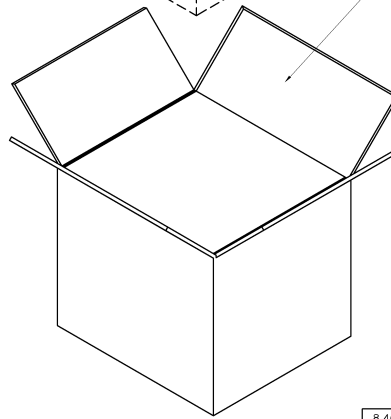
LOC	DIST	REVISIONS				
P	LTR	DESCRIPTION	DATE	DWN	APVD	
		SEE SHEET 1.				



TOP TRAY WITHOUT EJECTOR
 14 PCS/TARAY



CARTON SIZE
 350(L)X335(W)X320(H)



NOTE:
 1. TOP LAYER IS EMPTY.

GROSS WEIGHT	NET WEIGHT	PCS/TRAY	TRAYS / CARTON	QUANTITY
8.40 Kg	4.40 Kg	14	60	840 PCS

THIS DRAWING IS A CONTROLLED DOCUMENT.		DWN	Tyco Electronics Corporation Taipei, Taiwan	
DIMENSIONS: MM	TOLERANCES UNLESS OTHERWISE SPECIFIED:	CHK	NAME	
0 PLC ± -	1 PLC ± -	APVD	4 IN 1 COMBO PUSH/PUSH CONNECTOR (SD/MMC4.0/MS/XD)	
2 PLC ± -	3 PLC ± -	PRODUCT SPEC	SIZE	CAGE CODE DRAWING NO
4 PLC ± -	ANGLES ± -	QUALIFICATION TEST REPORT	A3	00779 C-1775524
MATERIAL SEE NOTE	FINISH SEE NOTE	WEIGHT	RESTRICTED TO	
			CUSTOMER DRAWING	
			SCALE	SHEET 4 of 4 REV B