

4

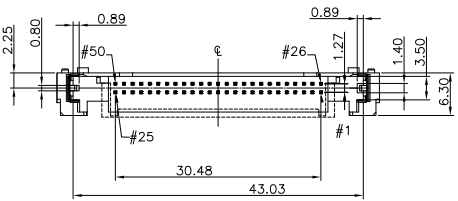
3

2

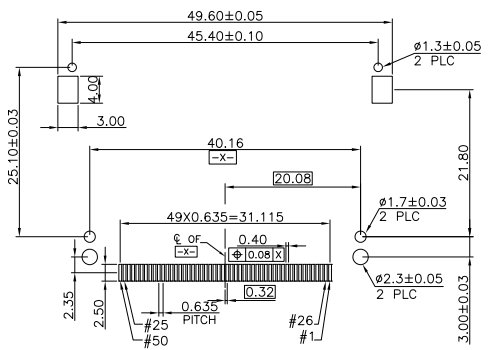
1

THIS DRAWING IS UNPUBLISHED. RELEASED FOR PUBLICATION
 © COPYRIGHT - BY - ALL RIGHTS RESERVED.

LOC		DIST		REVISIONS				
P	LTR	DESCRIPTION	DATE	DWN	APVD			
D1		REVISED PER ECO-11-005301	07MAR11	RK	HMR			



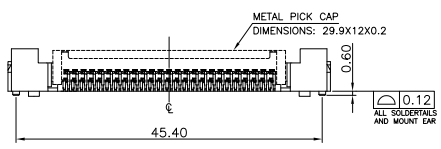
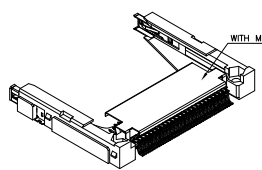
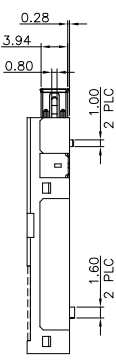
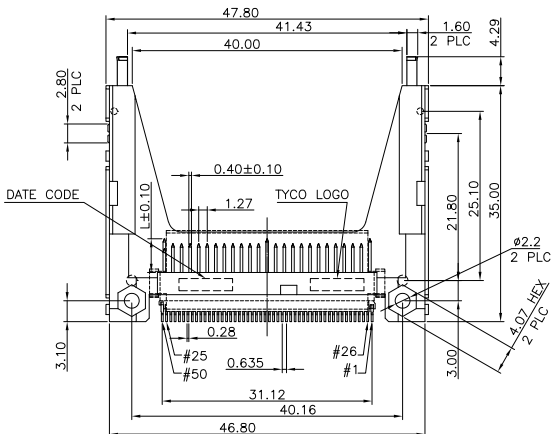
POWER	5.00mm
GENERAL	4.25mm
DETECT	3.50mm
PIN TYPE	INTERFACE DIM. L



RECOMMENDED P.C.B LAYOUT
 TOLERANCE: ±0.05

- NOTE:
- MATERIAL:
 HOUSING: LCP WITH 30% GF, UL 94V-0, WHITE COLOR.
 CONTACTS: BRASS.
 MOUNT EAR: BRASS.
 GROUNDING: PHOSPHOR BRONZE.
 PICKCAP: STEEL.
 MYLAR: CLEAR POLYESTER FILM.
 - FINISH:
 CONTACTS: GOLD PLATED(SEE TABLE) ON CONTACT AREA.
 2.54μm [100μ"] MIN. MATTE-TIN ON SOLDER TAIL, WITH
 1.27μm [50μ"] MIN. NICKEL ENTIRE CONTACT UNDERPLATED.
 MOUNT EAR: 2.54μm [100μ"] MIN. TIN PLATED ON SOLDER AREA
 1.27μm [50μ"] MIN. NICKEL UNDERPLATED ALL OVER
 GROUNDING: 2.03μm [80μ"] MIN. NICKEL UNDERPLATED ALL OVER
 - REFLOW SOLDER CAPABLE TO 260°C PER TE CONNECTIVITY TEST SPEC.109-201, CONDITION B.

W/	0.762μm [30μ"]	TAPE & REEL	1-1734448-3
		TRAY	1734448-2
W/O	0.381μm [15μ"]	TAPE & REEL	1-1734448-1
		TRAY	1734448-1
PICK CAP	FINISH(GOLD)	PACKAGING	PART NUMBER



THIS DRAWING IS A CONTROLLED DOCUMENT.

DIMENSIONS:	TOLERANCES UNLESS OTHERWISE SPECIFIED:	DWN S. CHIEN 30DEC2008	TE Connectivity PIN HEADER TYPE 2, 50 POS, SMT, TOP BOARD, COMPACT FLASH CARD	
MM		CHK S. CHIEN 30DEC2008		
		APVD W. KODAMA 30DEC2008		
		NAME		
	0 PLC ± 0.5	PRODUCT SPEC	108-57134	RESTRICTED TO
	1 PLC ± 0.3	QUALIFICATION TEST REPORT	501-57118	
	2 PLC ± 0.2	WEIGHT	4.145 GRAMS	
	3 PLC ± -	SIZE	A3	
	4 PLC ± -	CAGE CODE	00779	
	ANGLES ± -	DRAWING NO	C=1734448	
MATERIAL	FINISH	CUSTOMER DRAWING	SCALE	SHEET 1 of 4
SEE NOTE	SEE NOTE			REV D1

4

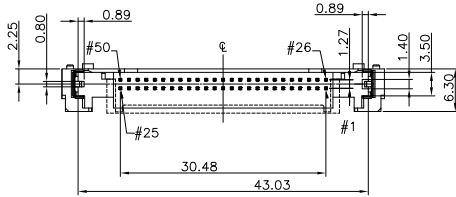
3

2

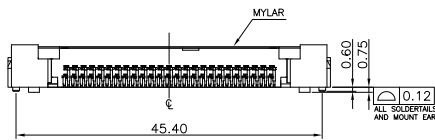
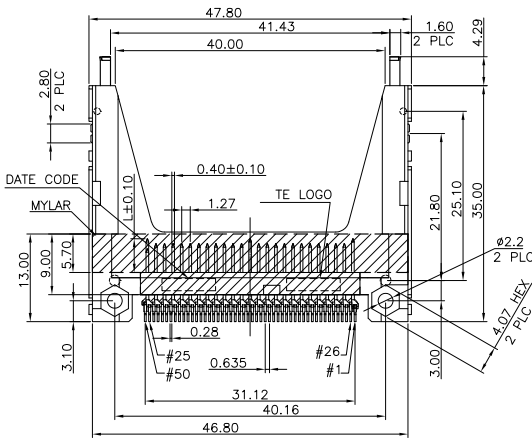
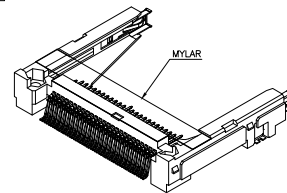
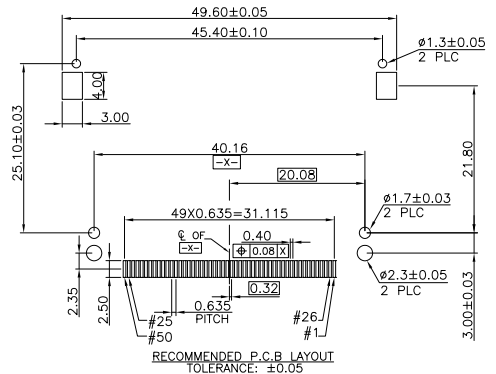
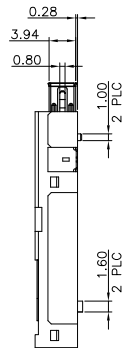
1

THIS DRAWING IS UNPUBLISHED. RELEASED FOR PUBLICATION
 © COPYRIGHT - BY - ALL RIGHTS RESERVED.

LOC		DIST		REVISIONS				
P	LTR	DESCRIPTION	DATE	DWN	APVD			
-	-	SEE SHEET 1.	-	-	-			



POWER	5.00mm
GENERAL	4.25mm
DETECT	3.50mm
PIN TYPE	INTERFACE DIM. L



W/	0.381µm [15u"]	TAPE & REEL	1-1734448-2
MYLAR	FINISH(GOLD)	PACKAGING	PART NUMBER

THIS DRAWING IS A CONTROLLED DOCUMENT.		DWN	-	
DIMENSIONS:		CHK	-	
MM	TOLERANCES UNLESS OTHERWISE SPECIFIED:	APVD	-	
0 PLC	± 0.5	PRODUCT SPEC	-	
1 PLC	± 0.3	QUALIFICATION TEST REPORT	-	
2 PLC	± 0.2	WEIGHT	-	
3 PLC	± -	SIZE	A3	00779
4 PLC	± -	CAGE CODE	C=1734448	
ANGLES	± -	DRAWING NO	C=1734448	
MATERIAL	FINISH	RESTRICTED TO	-	
SEE SHEET 1.	SEE SHEET 1.	CUSTOMER DRAWING	SCALE	-
			SHEET	2 of 4
			REV	D1

STE TE Connectivity

PIN HEADER TYPE 2, 50 POS, SMT,
TOP BOARD, COMPACT FLASH CARD

4

3

2

1

THIS DRAWING IS UNPUBLISHED. RELEASED FOR PUBLICATION
 © COPYRIGHT - BY - ALL RIGHTS RESERVED.

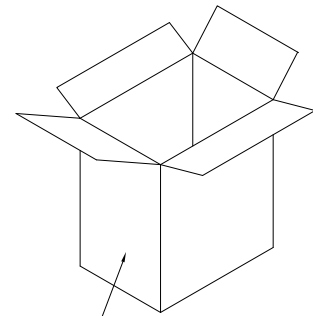
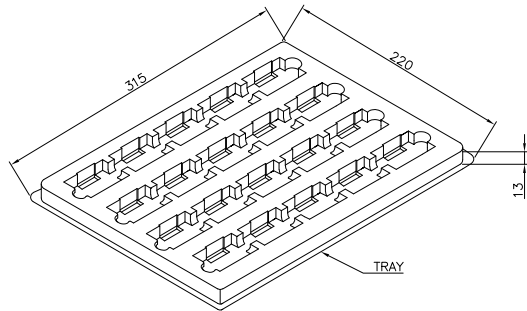
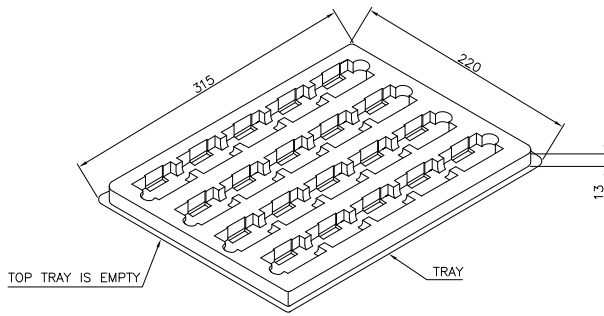
LOC		DIST		REVISIONS				
P	LTR	DESCRIPTION			DATE	DWN	APVD	
-	-	SEE SHEET 1.			-	-	-	

NOTE:

1. MATERIAL:

TRAY: PET

CARTON: CORRUGATED FIBERBOARD DOUBLE WALL



CARTON SIZE
 450(L) X 310(W) X 265(H)

8KG	7KG	51	20	1000
G/W	N/W	TRAY/ CARTON	PCS/ TRAY	QUANTITY

THIS DRAWING IS A CONTROLLED DOCUMENT.		DWN	TE Connectivity														
DIMENSIONS: MM		CHK															
TOLERANCES UNLESS OTHERWISE SPECIFIED:		APVD	NAME														
<table border="1"> <tr><td>0 PLC</td><td>±</td></tr> <tr><td>1 PLC</td><td>±</td></tr> <tr><td>2 PLC</td><td>±</td></tr> <tr><td>3 PLC</td><td>±</td></tr> <tr><td>4 PLC</td><td>±</td></tr> <tr><td>ANGLES</td><td>±</td></tr> </table>		0 PLC	±	1 PLC	±	2 PLC	±	3 PLC	±	4 PLC	±	ANGLES	±	PRODUCT SPEC	PIN HEADER TYPE 2, 50 POS, SMT, TOP BOARD, COMPACT FLASH CARD		
0 PLC	±																
1 PLC	±																
2 PLC	±																
3 PLC	±																
4 PLC	±																
ANGLES	±																
MATERIAL		APPLICATION SPEC	SIZE	CAGE CODE	DRAWING NO												
FINISH		WEIGHT	A3	00779	C=1734448												
CUSTOMER DRAWING			RESTRICTED TO	-													
			SCALE	SHEET	REV												
			-	3 of 4	D1												

4

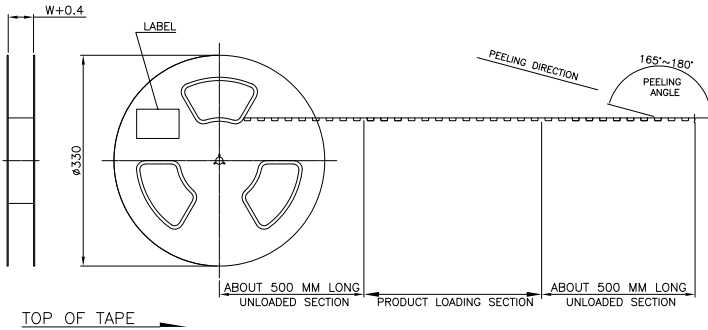
3

2

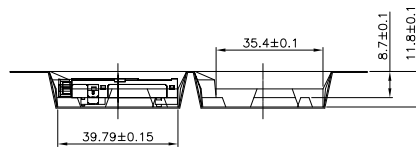
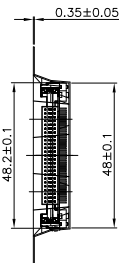
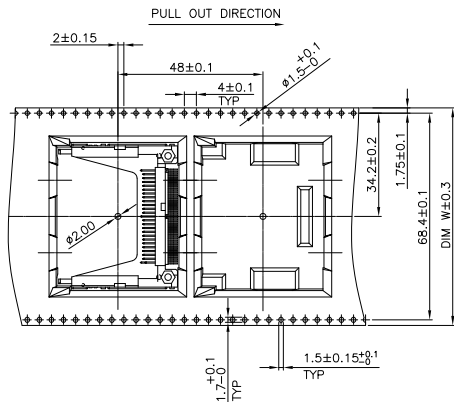
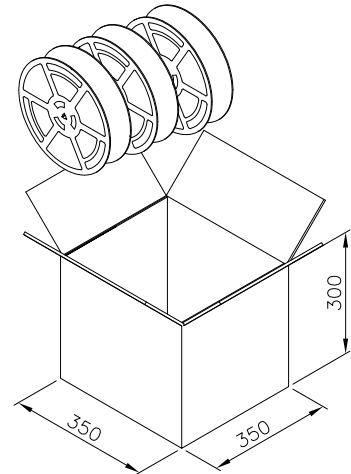
1

THIS DRAWING IS UNPUBLISHED. RELEASED FOR PUBLICATION
 © COPYRIGHT - BY - ALL RIGHTS RESERVED.

LOC		DIST		REVISIONS			
P	LTR	DESCRIPTION		DATE	DWN	APVD	
-	-	SEE SHEET 1.		-	-	-	



- NOTE:
- MATERIAL :
 COVER TAPE : PET
 CARRIER TAPE : PS
 REEL : PS
 SHIPPING BOX : CORRUGATED FIBERBOARD DOUBLE WALL
 - PEELING RESISTANCE : 10gf~150gf
 - PEELING SPEED : 300mm/MINUTES



72	70	3	210	4	5
DIM W	PCS/TAPE	REELS/CARTON	QUANTITY (PCS)	G/W (kg)	N/W (kg)

THIS DRAWING IS A CONTROLLED DOCUMENT.

DIMENSIONS: MM	TOLERANCES UNLESS OTHERWISE SPECIFIED:	DWN	TE Connectivity	
0 PLC ±	1 PLC ±	CHK	NAME	
2 PLC ±	3 PLC ±	APVD	PIN HEADER TYPE 2, 50 POS, SMT, TOP BOARD, COMPACT FLASH CARD	
4 PLC ±	ANGLES ±	PRODUCT SPEC	SIZE	RESTRICTED TO
MATERIAL	FINISH	APPLICATION SPEC	A3	
		WEIGHT	CAGE CODE	DRAWING NO
			00779	1734448
		CUSTOMER DRAWING	SCALE	SHEET
			-	4 of 4
				REV D1