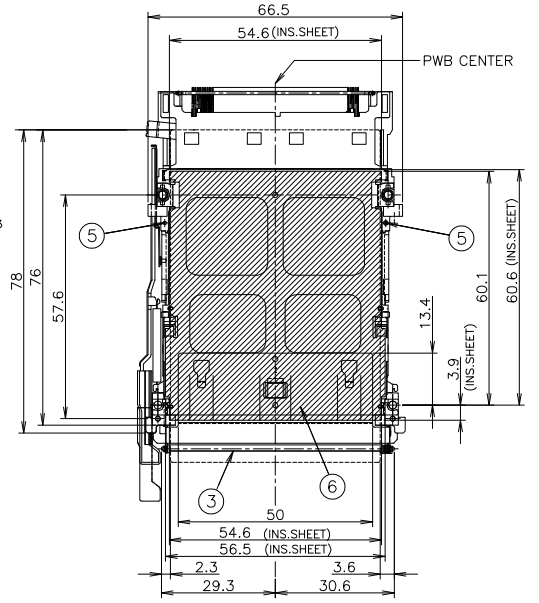
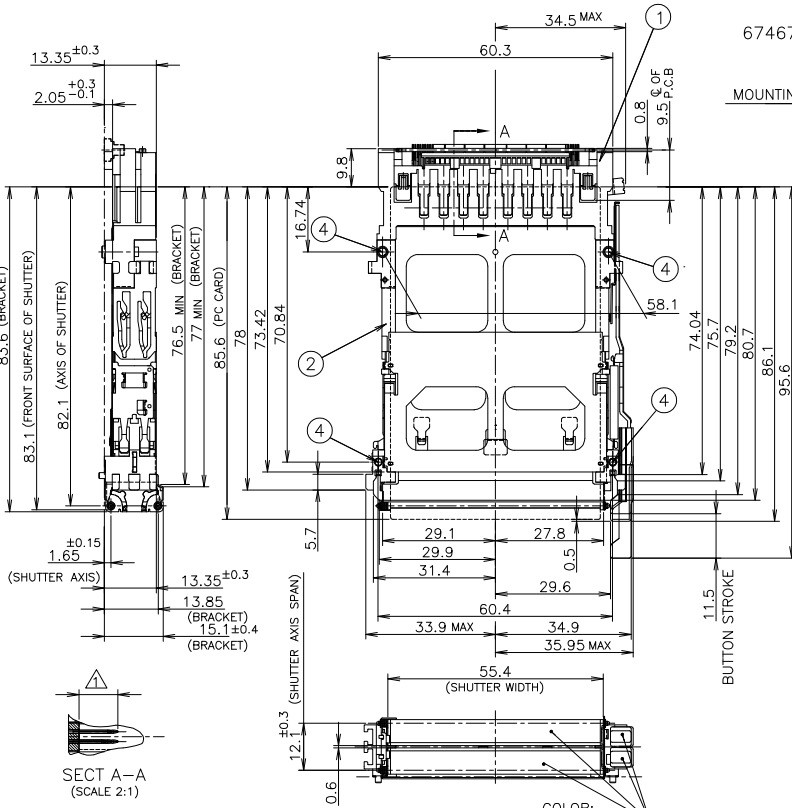


THIS DRAWING IS UNPUBLISHED. RELEASED FOR PUBLICATION
 © COPYRIGHT 2005 BY TYCO ELECTRONICS CORPORATION. ALL RIGHTS RESERVED.

LOC	DIST	REVISIONS					
J		P	LTR	DESCRIPTION	DATE	DWN	APVD
		A		RELEASED	09NOV05	T.T	Y.Y

6746754-1: AS SHOWN



1	INSULATOR SHEET	⑥
2	SPRING PIN	⑤
4	NUT (M2)	④
1	SHUTTER SUB ASSEMBLY	③
1	EJECTOR SUB ASSEMBLY	②
1	HEADER MAIN ASSEMBLY	①
QTY	NAME	ITEM

TABLE 1

POST LENGTH	5	3.5	4.25
CIRCUIT NO.	1,17,34,35,51,68	36,67	OTHERS

- △ REFER TO TABLE 1 FOR POST CONTACT LENGTH.
- 2 RECOMMENDED TIGHTENING TORQUE :FROM 0.15N·m(1.5kg·cm) TO 0.2N·cm(2kg·cm)
- 3 APPLIED CARD: PCMCIA ATTRIBUTE PC CARD.
- 4 DOUBLE SLOT INSTALLED SCREW (M2, P=0.4) (4PLACES) (METRIC COARSE SCREW THREADS, APPLICABLE M2xL12)

COLOR: BLACK

THIS DRAWING IS A CONTROLLED DOCUMENT.

DIMENSIONS: 単位: 概 mm	TOLERANCES UNLESS OTHERWISE SPECIFIED: 数公差
	0. PLC ± 0.1 1. PLC ± 0.1 2. PLC ± 0.1 3. 概 ± 0.5 4. PLC ANGLES ± 1°
MATERIAL 材料	FINISH 仕上

DWN	280CT05	Tyco Electronics AMP K.K.
CHK	09NOV05	Kawasaki, Japan
APVD	09NOV05	NAME 名称
PRODUCT SPEC 製品規格	108-78192	CARD BUS DOUBLE SLOT TOP MOUNT PUSH-PUSH TYPE
APPLICATION SPEC 取付適用規格		SIZE
WEIGHT	35 gr	CAGE CODE
CUSTOMER DRAWING	A3	DRAWING NO 番号
		①-6746754
	SCALE 尺度	1:1
	SHEET	1 of 2
	REV	A

