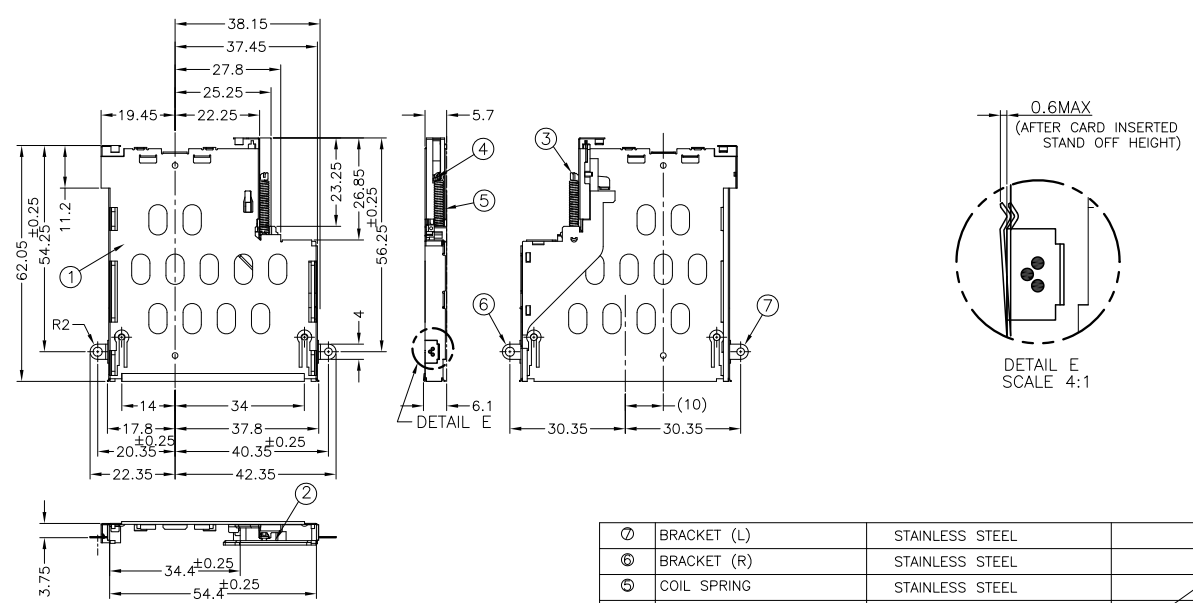


2129179-1: AS SHOWN



7	BRACKET (L)	STAINLESS STEEL		1
6	BRACKET (R)	STAINLESS STEEL		1
5	COIL SPRING	STAINLESS STEEL		1
4	CAM ROD	STAINLESS STEEL		1
3	SLIDER	STAINLESS STEEL		1
2	GUIDE RAIL HOUSING	THERMOPLASTIC (UL94 V-0)	BLACK	1
1	UPPER SHELL	STAINLESS STEEL		1
ITEM	NAME	MATERIAL	FINISH / COLOR	Q'TY

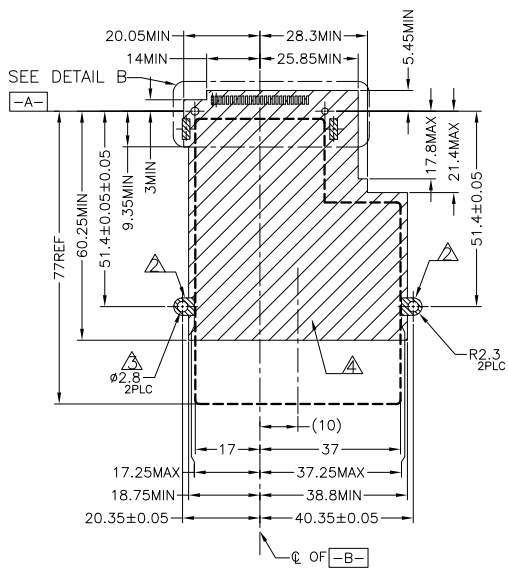
THIS DRAWING IS A CONTROLLED DOCUMENT.

DWN: W.CHEN	26MAY10	Tyco Electronics Corporation Taipei, Taiwan	
CHK: W.CHEN	26MAY10		
APVD: H.KODAMA	26MAY10	NAME	
PRODUCT SPEC		EJECTOR ASSEMBLY	
APPLICATION SPEC		ExpressCard CONNECTOR, CARD PUSH	
501-99000		TOP MOUNT H=5.7	
SIZE	CAGE CODE	DRAWING NO	RESTRICTED TO
A3	00779	C-2129179	
CUSTOMER DRAWING		SCALE	SHEET
		1:1	1 of 4
			REV B

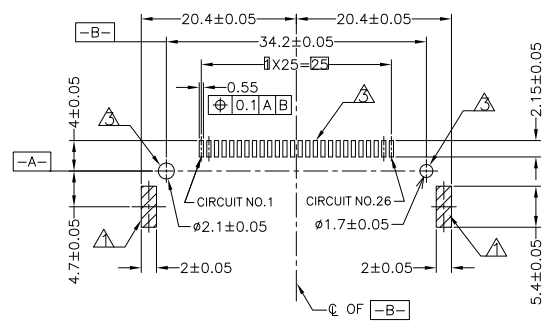
4 3 2 1

THIS DRAWING IS UNPUBLISHED. RELEASED FOR PUBLICATION  
 COPYRIGHT BY TYCO ELECTRONICS CORPORATION. ALL RIGHTS RESERVED.

LOC		DIST		REVISIONS			
P	LTR	DESCRIPTION	DATE	DWN	APVD		
		SEE SHEET 1					



RECOMENDED PCB LAYOUT  
 TOLERANCE: ±0.05



DETAIL B  
 (SCALE : 2:1)

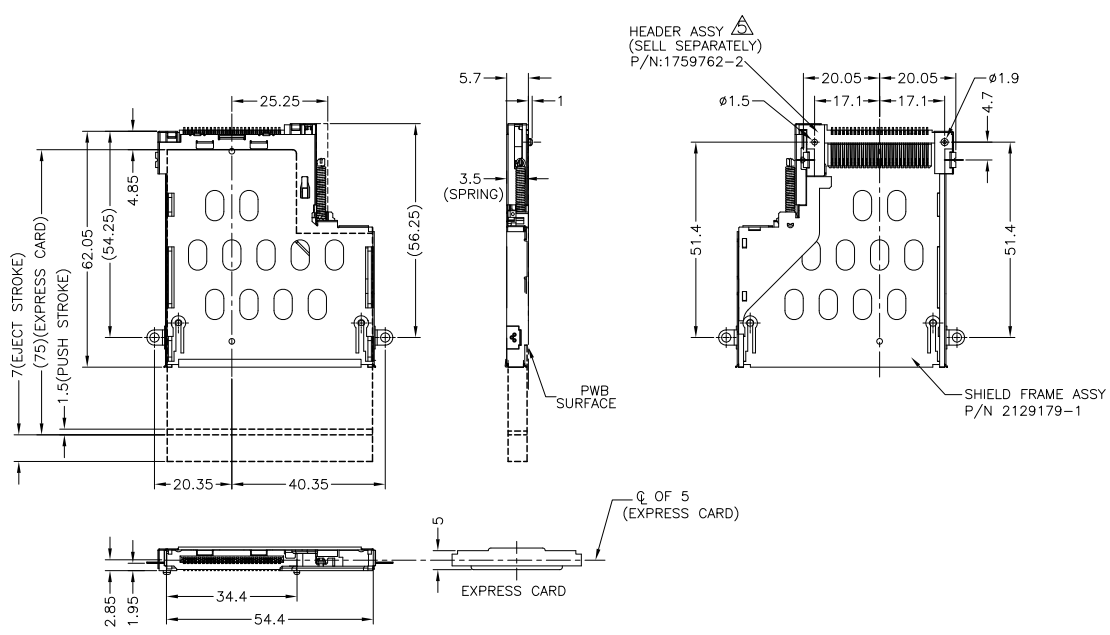
- △ □ SOLDERING PAD
- △ ▨ GROUNDING PAD
- △ NPTH
- △ ▩ NO COMPONENT AND NO SIGNAL LINE AREA
- △ HEADER ASSEMBLY, P/N 1759762-2, PURCHASED SEPARATELY.

THIS DRAWING IS A CONTROLLED DOCUMENT.		DWN	Tyco Electronics Corporation	
DIMENSIONS: mm		CHK	Taipei, Taiwan	
TOLERANCES UNLESS OTHERWISE SPECIFIED:		APVD	NAME	
0. PLC ± 1. PNC ±0.5 2. PLC ± ±3' 3. PLC ± 4. PLC ± ANGLES ±		PRODUCT SPEC	EJECTOR ASSEMBLY	
MATERIAL		APPLICATION SPEC	ExpressCard CONNECTOR, CARD PUSH	
SEE NOTE	FINISH	WEIGHT	SIZE CAGE CODE DRAWING NO	RESTRICTED TO
SEE NOTE	SEE NOTE		A3 00779 C-2129179	
		CUSTOMER DRAWING	SCALE 1:1	SHEET 2 OF 4 REV B

4 3 2 1

THIS DRAWING IS UNPUBLISHED. RELEASED FOR PUBLICATION  
 © COPYRIGHT BY TYCO ELECTRONICS CORPORATION. ALL RIGHTS RESERVED.

LOC	DIST	REVISIONS			
P	LTR	DESCRIPTION	DATE	DWN	APVD
		SEE SHEET 1	-	-	-



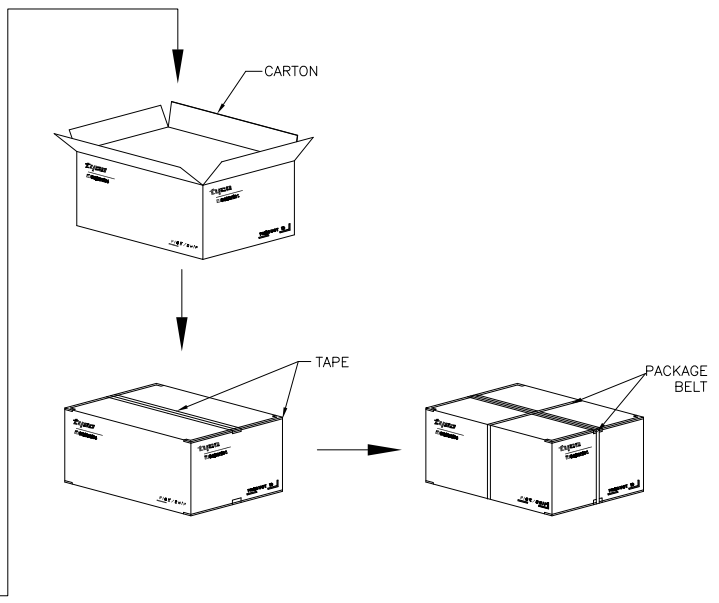
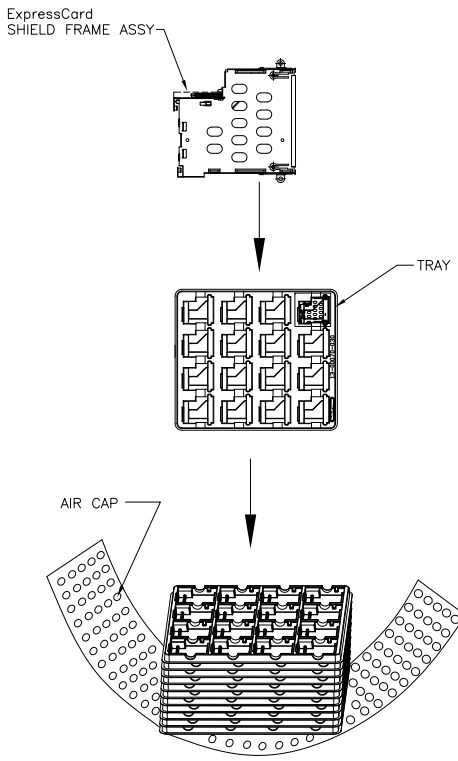
REFERENCE FIGURE WHICH ATTACHED  
 HEADER ASSEMBLY

THIS DRAWING IS A CONTROLLED DOCUMENT.		DWN	Tyco Electronics Corporation Taipei, Taiwan													
DIMENSIONS: mm		CHK	NAME													
TOLERANCES UNLESS OTHERWISE SPECIFIED:		APVD	EJECTOR ASSEMBLY ExpressCard CONNECTOR, CARD PUSH, TOP MOUNT, H=5.7													
<table border="1"> <tr><td>Ø, PLC</td><td>±</td></tr> <tr><td>1. PNC</td><td>±</td></tr> <tr><td>2. PLC</td><td>±0.5</td></tr> <tr><td>3. PLC</td><td>±3'</td></tr> <tr><td>4. PLC</td><td>±</td></tr> <tr><td>ANGLES</td><td>±</td></tr> </table>		Ø, PLC	±	1. PNC	±	2. PLC	±0.5	3. PLC	±3'	4. PLC	±	ANGLES	±	PRODUCT SPEC	SIZE	CAGE CODE
Ø, PLC	±															
1. PNC	±															
2. PLC	±0.5															
3. PLC	±3'															
4. PLC	±															
ANGLES	±															
MATERIAL	FINISH	APPLICATION SPEC	DRAWING NO	RESTRICTED TO												
SEE NOTE	SEE NOTE	WEIGHT	A300779	C=2129179												
CUSTOMER DRAWING		SCALE	1:1	SHEET 3 of 4												
		REV	B													

4 3 2 1

THIS DRAWING IS UNPUBLISHED. RELEASED FOR PUBLICATION  
 COPYRIGHT BY TYCO ELECTRONICS CORPORATION. ALL RIGHTS RESERVED.

LOC	DIST	REVISIONS			
P	LTR	DESCRIPTION	DATE	DWN	APVD
		SEE SHEET 1	-	-	-



- 1. MATERIAL: TRAY: PS, COLOR: CLEAR, t=0.8mm
- 2. CARTON DIMENSION: 363mmX320mmX152mm

16	10	160
PCS/TRAY	TRAY/CARTON	TOTAL Q'TY

THIS DRAWING IS A CONTROLLED DOCUMENT.		DWN: W.CHEN 26MAY10	Tyco Electronics Corporation Taipei, Taiwan
DIMENSIONS: mm		QW: W.CHEN 26MAY10	
TOLERANCES UNLESS OTHERWISE SPECIFIED: 0. PLC ± 1. PLC ± 2. PLC ± ±0.5 3. PLC ± ±3' 4. PLC ± ± ANGLES ±		APVD: 26MAY10	NAME: EJECTOR ASSEMBLY ExpressCard CONNECTOR, CARD PUSH, TOP MOUNT, H=5.7
MATERIAL: SEE NOTE		FINISH: SEE NOTE	RESTRICTED TO
CUSTOMER DRAWING		SCALE: 1:1	SHEET: 4 OF 4
		SIZE: A3	CAGE CODE: 00779
		DRAWING NO: C-2129179	REV: B