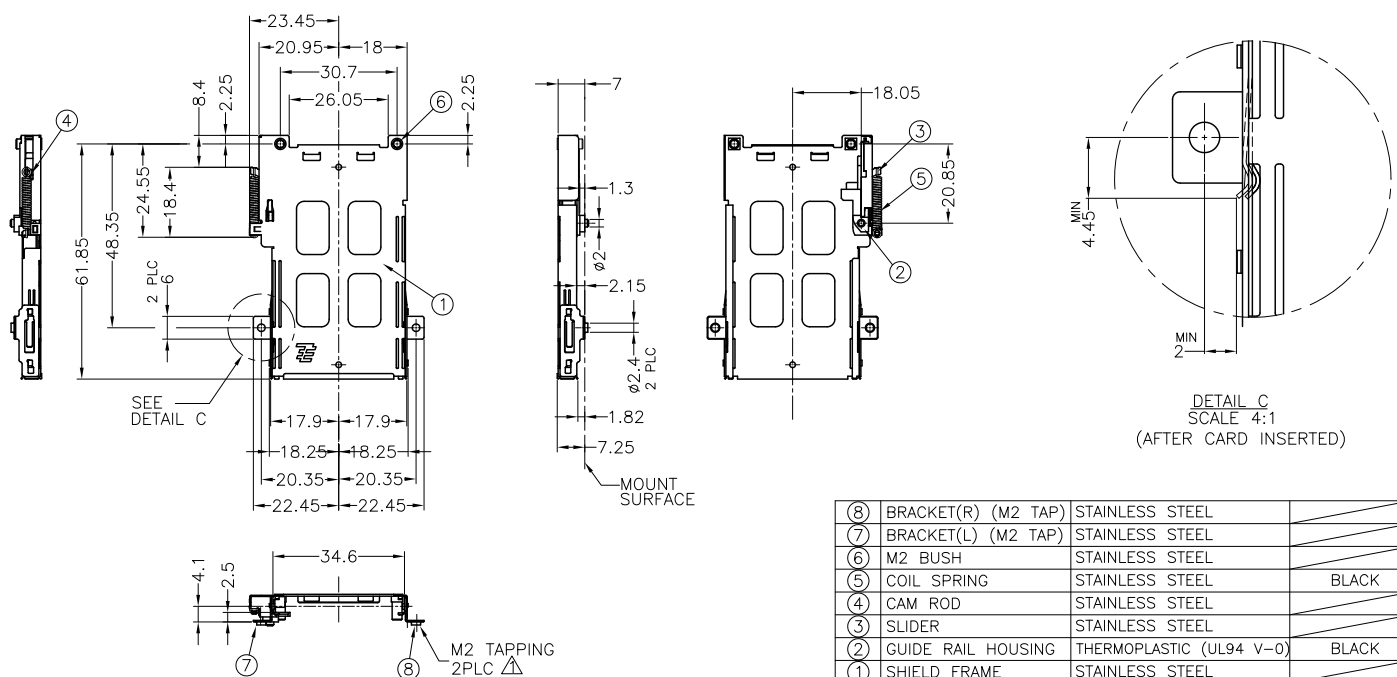


THIS DRAWING IS UNPUBLISHED. RELEASED FOR PUBLICATION
 COPYRIGHT BY TYCO ELECTRONICS CORPORATION. ALL RIGHTS RESERVED.

LOC	DIST	REVISIONS					
DW		P	LTR	DESCRIPTION	DATE	DWN	APVD
		C1		REVISED (ECR-10-007493)	02APR'10	J.S	H.K

2023386-1 : AS SHOWN

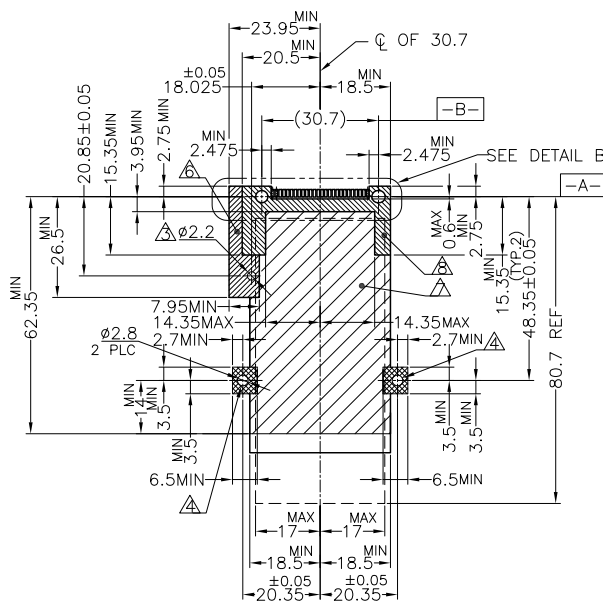


ITEM	NAME	MATERIAL	FINISH/COLOR	QTY
8	BRACKET(R) (M2 TAP)	STAINLESS STEEL		1
7	BRACKET(L) (M2 TAP)	STAINLESS STEEL		1
6	M2 BUSH	STAINLESS STEEL		2
5	COIL SPRING	STAINLESS STEEL	BLACK	1
4	CAM ROD	STAINLESS STEEL		1
3	SLIDER	STAINLESS STEEL		1
2	GUIDE RAIL HOUSING	THERMOPLASTIC (UL94 V-0)	BLACK	1
1	SHIELD FRAME	STAINLESS STEEL		1

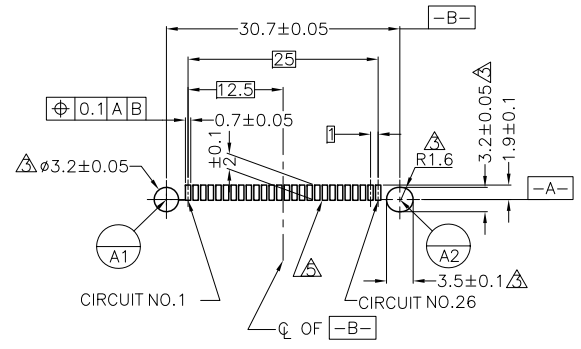
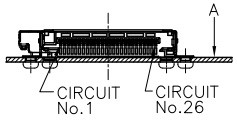
THIS DRAWING IS A CONTROLLED DOCUMENT.

DWN	J.SUE	19JAN'09	 Tyco Electronics Corporation Taipei, Taiwan
CHK	C.WAYDE	19JAN'09	
APVD	H.KODAMA	19JAN'09	
PRODUCT SPEC	108-99000	NAME	EJECTOR ASSEMBLY, TOP MOUNT CARD PUSH TYPE, H=7 EXPRESS CARD CONNECTOR
APPLICATION SPEC		SIZE	A3
MATERIAL		WEIGHT	6.8g
FINISH		CAGE CODE	00779
		DRAWING NO	2023386
		CUSTOMER DRAWING	SCALE 1:1 SHEET 1 OF 4 REV C1

LOC	DIST	REVISIONS			
P	LTR	DESCRIPTION	DATE	DWN	APVD
DW		SEE SHEET 1			



VIEW A (TOLERANCES : ±0.05)
REFERENCE P.C.BOARD LAYOUT



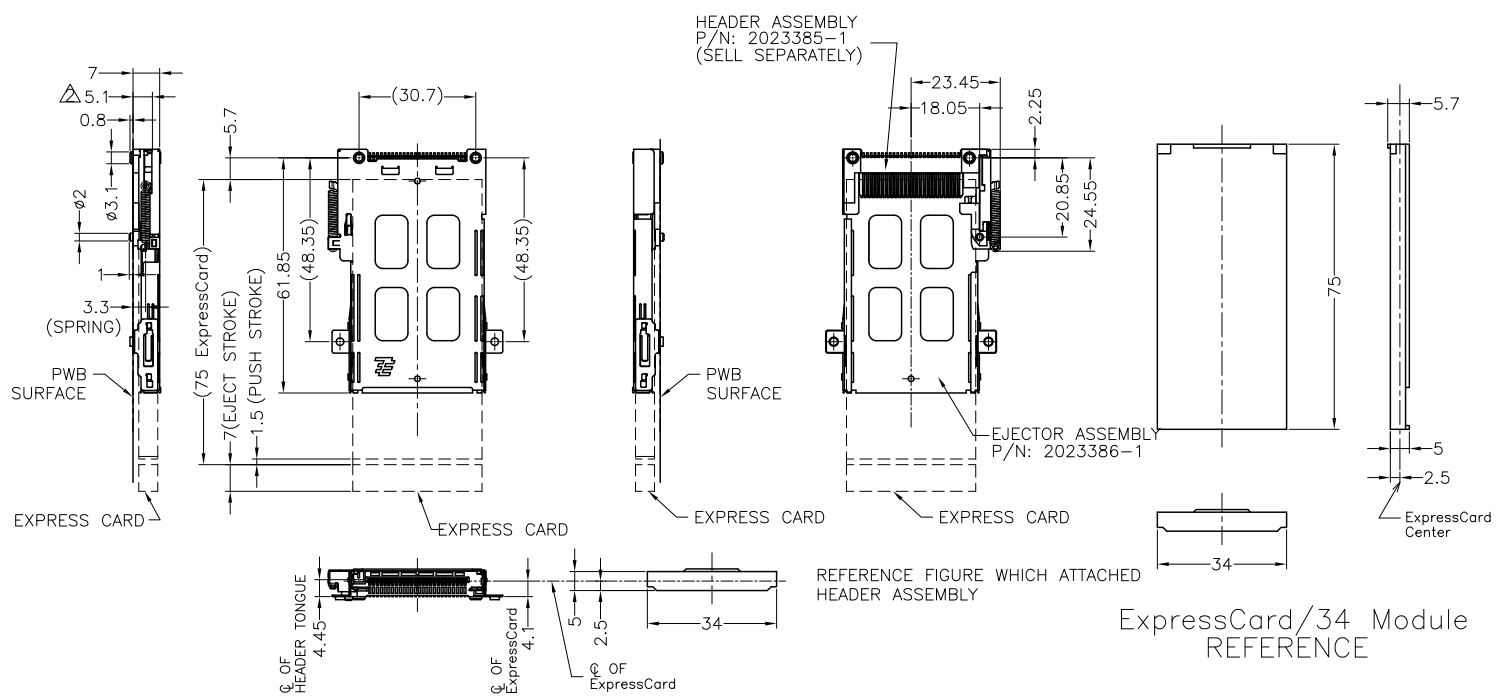
DETAIL B
(SCALE: 2:1)
REFERENCE P.C.BOARD LAYOUT

- NOTE.
- ▲ RECOMENDED TIGHTENING TORQUE : 0.15~0.2N·m
 - ▲ M2 BUSH HEIGHT(FROM MOUNT SURFACE)
 - ▲ NPTH
 - ▲ GROUNDING PAD
 - ▲ SOLDERING PAD
 - ▲ CONNECTOR AREA (NO COMPONENT AREA)
 - ▲ STAND OFF AREA 1.3mm
 - ▲ NO COMPONENT AND NO SIGNAL LINE AREA

THIS DRAWING IS A CONTROLLED DOCUMENT.		DWN	Tyco Electronics Corporation Taipei, Taiwan	
DIMENSIONS: mm		CHK	NAME	
TOLERANCES UNLESS OTHERWISE SPECIFIED: 0 PLC ± 0.5 1 PLC ± 0.5 2 PLC ± 0.5 3 PLC ± 0.5 4 PLC ± 0.5 ANGLES ± 1°		APVD	EJECTOR ASSEMBLY, TOP MOUNT CARD PUSH TYPE, H=7 EXPRESS CARD CONNECTOR	
MATERIAL		PRODUCT SPEC	SIZE	RESTRICTED TO
FINISH		APPLICATION SPEC	A3 00779 C-2023386	
		WEIGHT	CUSTOMER DRAWING	SCALE 1:1 SHEET 2 OF 4 REV C1

THIS DRAWING IS UNPUBLISHED. RELEASED FOR PUBLICATION
 © COPYRIGHT BY TYCO ELECTRONICS CORPORATION. ALL RIGHTS RESERVED.

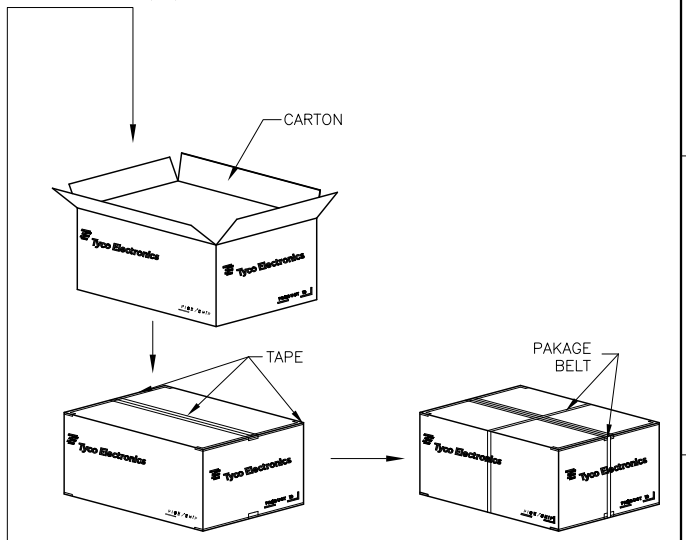
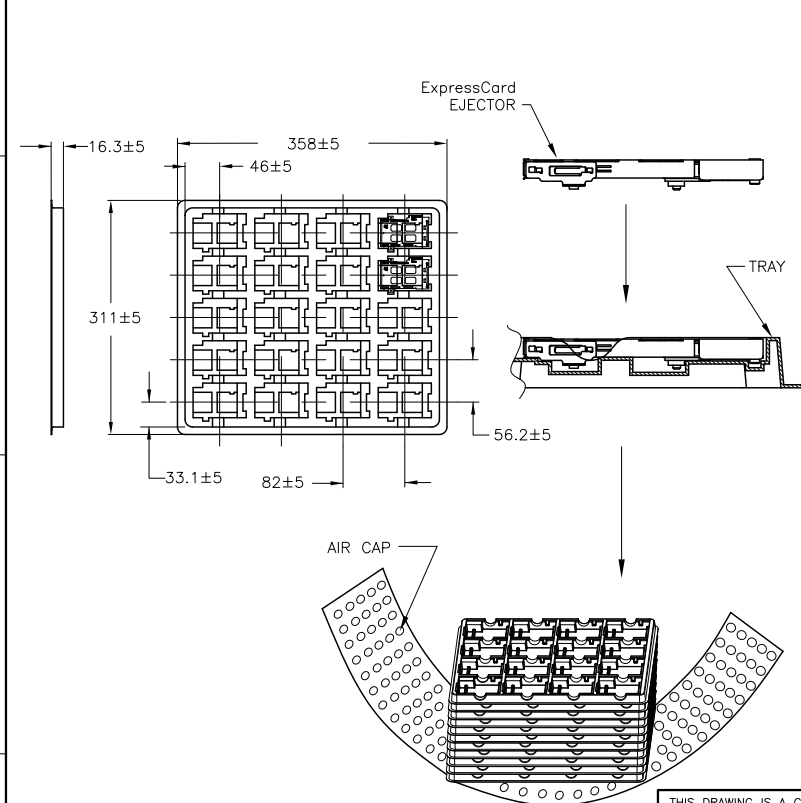
LOC		DIST		REVISIONS			
P	LTR	DESCRIPTION	DATE	DWN	APVD		
		SEE SHEET 1					



THIS DRAWING IS A CONTROLLED DOCUMENT.		DWN	Tyco Electronics Corporation Taipei, Taiwan	
DIMENSIONS: mm		CHK	NAME	
TOLERANCES UNLESS OTHERWISE SPECIFIED:		APVD	EJECTOR ASSEMBLY, TOP MOUNT CARD PUSH TYPE, H=7 EXPRESS CARD CONNECTOR	
0 PLC ± 0.5		PRODUCT SPEC	SIZE	CAGE CODE
1 PLC ± 0.5		APPLICATION SPEC	A3	00779
2 PLC ± 0.5		WEIGHT	DRAWING NO	
3 PLC ± 0.5			C-2023386	
4 PLC ± 0.5			RESTRICTED TO	
ANGLES ± 1°		CUSTOMER DRAWING		
MATERIAL	FINISH	SCALE		SHEET
		1:1		3 OF 4
				REV C1

AMP 1470-19 REV 31MAR2000

LOC		DIST		REVISIONS					
DW				P	LTR	DESCRIPTION	DATE	DWN	APVD
						SEE SHEET 1			



NOTE:
 1. MATERIAL: TRAY: PS, COLOR: CLEAR, t=0.8
 2. CARTON DIMENSION: 380X325X152

20	12	240
PCS/TRAY	TRAY/CARTON	TOTAL Q'TY

THIS DRAWING IS A CONTROLLED DOCUMENT.		DWN	Tyco Electronics Corporation Taipei, Taiwan	
DIMENSIONS: mm		CHK	NAME	
TOLERANCES UNLESS OTHERWISE SPECIFIED:		APVD	EJECTOR ASSEMBLY, TOP MOUNT CARD PUSH TYPE, H=7 EXPRESS CARD CONNECTOR	
0 PLC ± 0.5		PRODUCT SPEC	SIZE	CAGE CODE
1 PLC ± 0.5		APPLICATION SPEC	A3	00779
2 PLC ± 0.5		WEIGHT	DRAWING NO	
3 PLC ± 0.5		CUSTOMER DRAWING	C-2023386	
4 PLC ± 0.5			SCALE	SHEET
ANGLES ± 1°			NON	4 OF 4
MATERIAL	FINISH		REV	C1