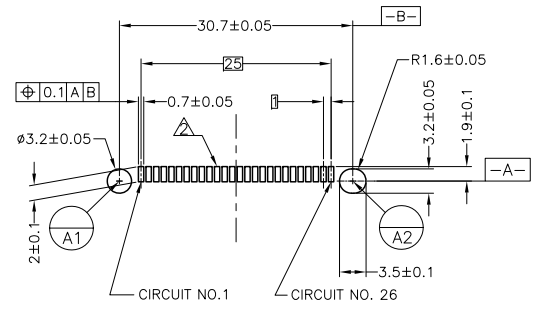
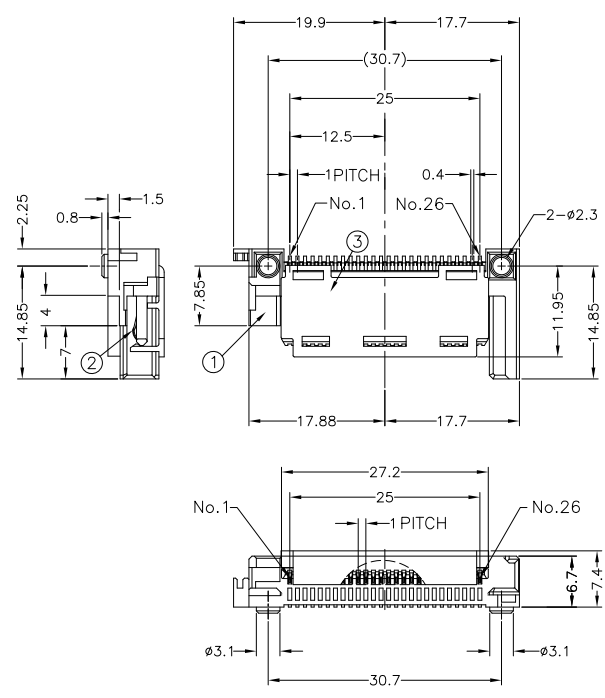


THIS DRAWING IS UNPUBLISHED. RELEASED FOR PUBLICATION
 © COPYRIGHT BY TYCO ELECTRONICS CORPORATION. ALL RIGHTS RESERVED.

LOC	DIST	REVISIONS			
P	LTR	DESCRIPTION	DATE	DWN	APVD
C1		REVISED (ECR-10-007493)	02APR'10	J.S	H.K

2023385-1; AS SHOWN



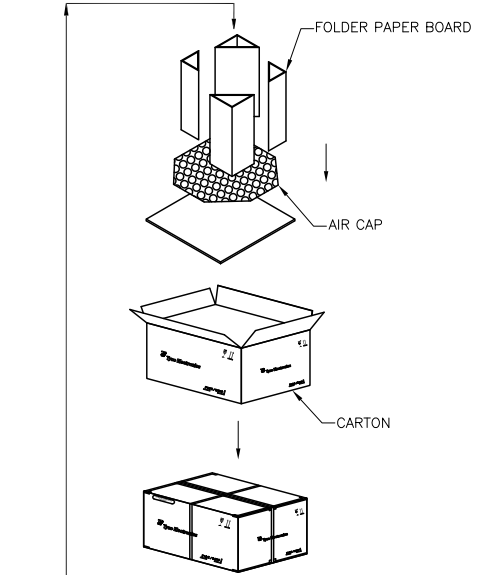
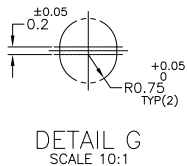
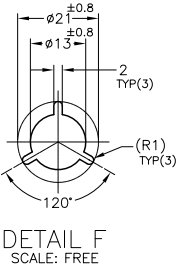
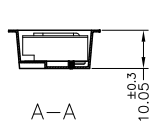
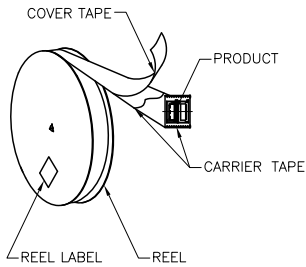
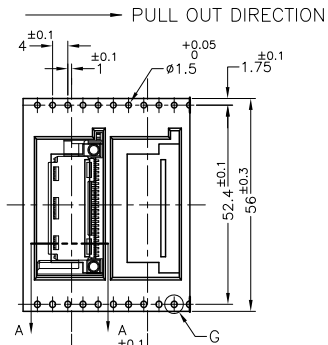
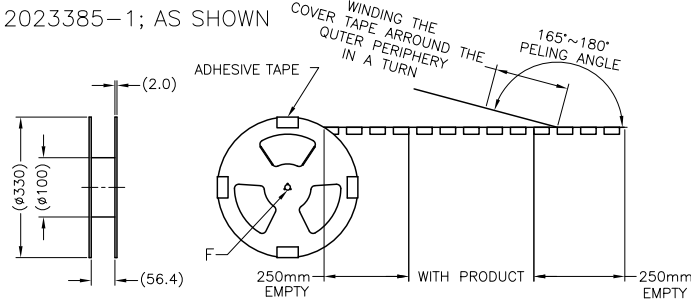
HIGH TEMP THERMOPLASTIC UL94 V-0 COLOR:BLACK	COPPER ALLOY Au 0.0002mm MIN., TIN 0.002mm MIN. Ni 0.00127mm MIN. UNDERPLATING ALL OVER	HIGH TEMP THERMOPLASTIC UL94 V-0 COLOR:BLACK	26	2023385-1
③CAP	②CONTACT	①HEADER HSG	POS.	PART NUMBER
MATERIAL & FINISH				
THIS DRAWING IS A CONTROLLED DOCUMENT.		DWN J.SUE 19JAN'09	Tyco Electronics Corporation Taipei, Taiwan	
DIMENSIONS: mm		CHK C.WAYDE 19JAN'09	NAME H.KODAMA 19JAN'09	
TOLERANCES UNLESS OTHERWISE SPECIFIED:		PRODUCT SPEC 108-99000		
0 PLC ± 0.3 1 PLC ± 0.3 2 PLC ± 0.3 3 PLC ± 0.3 4 PLC ± 0.3 ANGLES ± 1°		APPLICATION SPEC		
MATERIAL	FINISH	WEIGHT 1.95g	SIZE A3	CAGE CODE 00779
		DRAWING NO C-2023385	RESTRICTED TO	
		CUSTOMER DRAWING	SCALE 2:1	SHEET 1 OF 2
			REV C1	

1. BE USE ALTOGETHER THE HEADER AND TE'S FRAME
 SOLDER PAD

AMP 1470-19 REV 31MAR2000

THIS DRAWING IS UNPUBLISHED. RELEASED FOR PUBLICATION
 BY TYCO ELECTRONICS CORPORATION. ALL RIGHTS RESERVED.

LOC	DIST	REVISIONS			
P	LTR	DESCRIPTION	DATE	DWN	APVD
		SEE SHEET 1			



3. PACKING MATERIAL: CARRIER TAPE: HIPS; COLOR: CLEAR.
 COVER TAPE: PET; COLOR: CLEAR.
 4. CARTON DIMENSIONS: 355X355X310

PCS/REEL	REEL/CARTON	TOTAL Q'TY
350	4	1400

THIS DRAWING IS A CONTROLLED DOCUMENT.		DWN	Tyco Electronics Corporation Taipei, Taiwan	
DIMENSIONS: mm		CHK	NAME	
TOLERANCES UNLESS OTHERWISE SPECIFIED:		APVD	HEADER ASSEMBLY, TOP MOUNT CARD PUSH TYPE EXPRESS CARD CONNECTOR	
0 PLC ± 1	1 PLC ± 1	PRODUCT SPEC	SIZE	CAGE CODE
2 PLC ± 1	2 PLC ± 1	APPLICATION SPEC	A3	00779
3 PLC ± 1	3 PLC ± 1	WEIGHT	DRAWING NO. C-2023385	
4 PLC ± 1	4 PLC ± 1	CUSTOMER DRAWING	RESTRICTED TO	
ANGLES ± 3'	FINISH	SCALE NON SHEET 2 OF 2 REV C1		