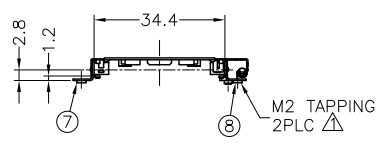
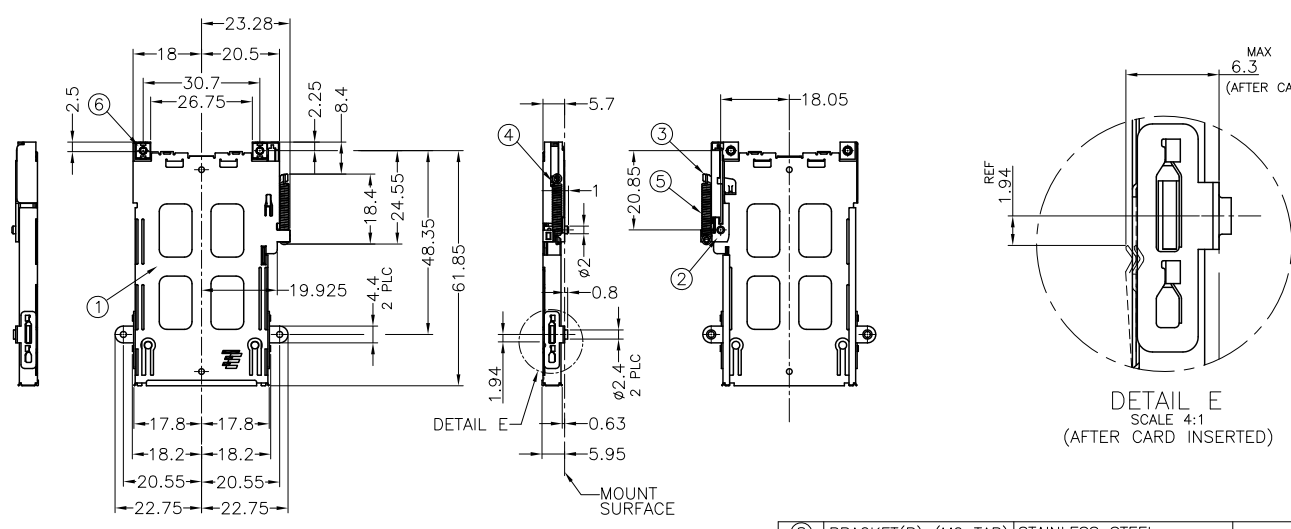


4 3 2 1

THIS DRAWING IS UNPUBLISHED. RELEASED FOR PUBLICATION
 © COPYRIGHT BY TYCO ELECTRONICS CORPORATION. ALL RIGHTS RESERVED.

LOC	DIST	REVISIONS					
DW		P	LTR	DESCRIPTION	DATE	DWN	APVD
		B1		REVISED (ECR-10-008671)	22APR10	S.H	H.K

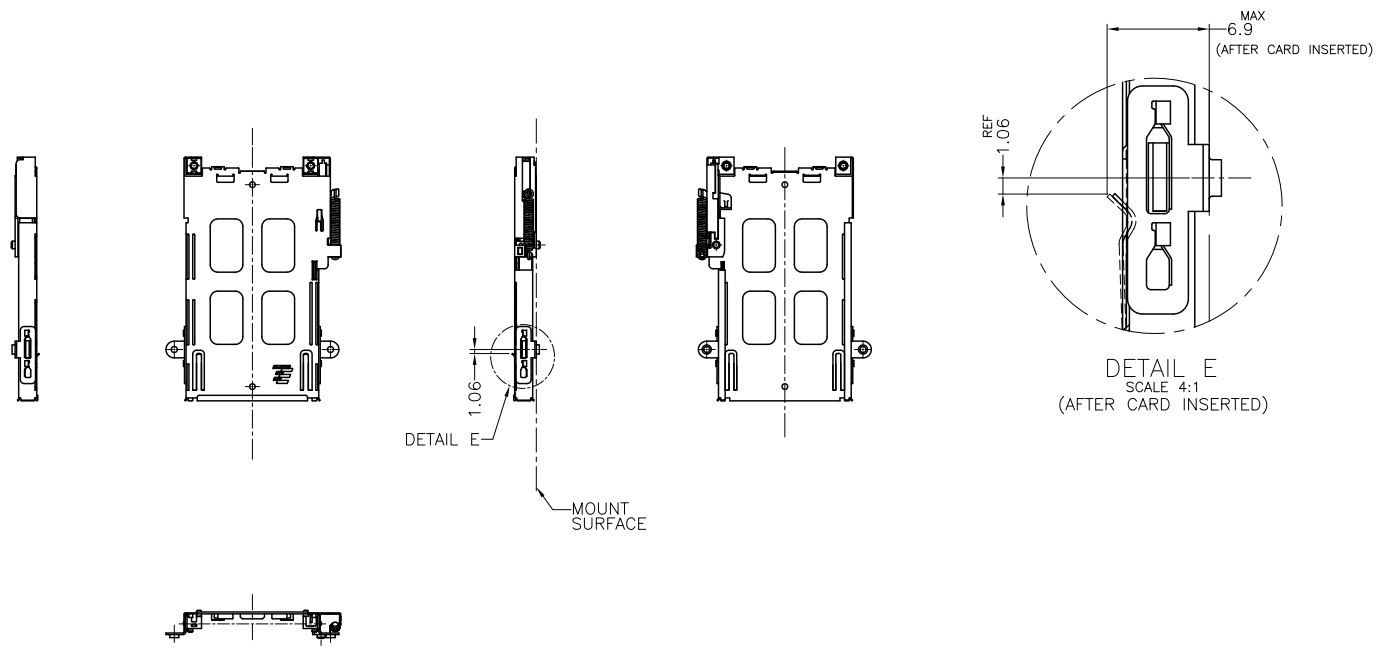
2023103-1 : AS SHOWN



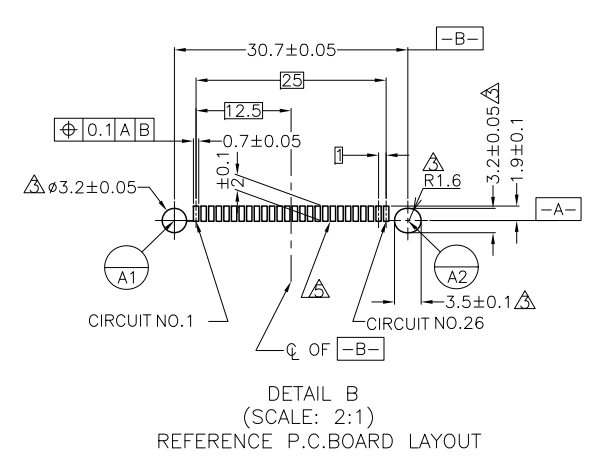
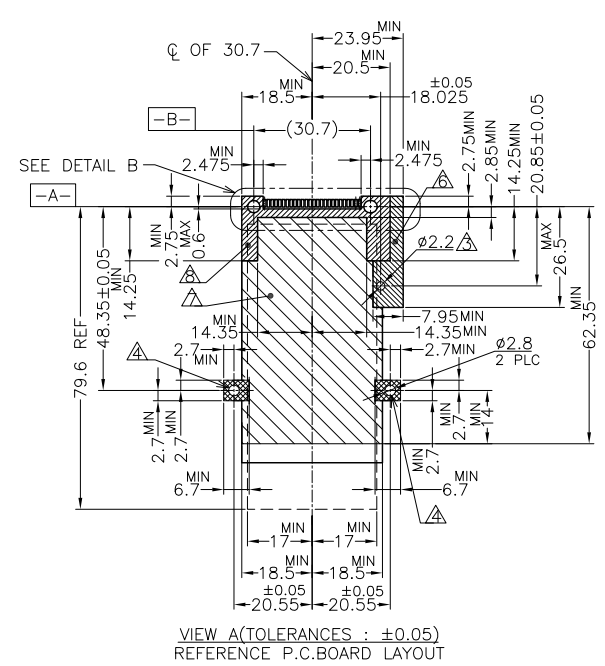
ITEM	NAME	MATERIAL	FINISH/COLOR	QTY
8	BRACKET(R) (M2 TAP)	STAINLESS STEEL		1
7	BRACKET(L) (M2 TAP)	STAINLESS STEEL		1
6	M2 NUT	STAINLESS STEEL		2
5	COIL SPRING	STAINLESS STEEL	BLACK	1
4	CAM ROD	STAINLESS STEEL		1
3	SLIDER	STAINLESS STEEL		1
2	GUIDE RAIL HSG	THERMOPLASTIC (UL94 V-0)	BLACK	1
1	SHIELD FRAME UPPER	STAINLESS STEEL		1

THIS DRAWING IS A CONTROLLED DOCUMENT.		DWN J.SUE 25OCT07	Tyco Electronics Corporation Taipei, Taiwan	
DIMENSIONS: mm		CHK J.LIU 25OCT07	APVD H.KODAMA 25OCT07	
TOLERANCES UNLESS OTHERWISE SPECIFIED: 0 PLC ± 0.5 1 PLC ± 0.5 2 PLC ± 0.5 3 PLC ± 0.5 4 PLC ± 0.5 ANGLES ± 1°		NAME EJECTOR ASSEMBLY, TOP MOUNT CARD PUSH TYPE, H5.7 EXPRESS CARD CONNECTOR		
MATERIAL		PRODUCT SPEC 108-99000		RESTRICTED TO
FINISH		APPLICATION SPEC	SIZE A3	CAGE CODE 00779
		WEIGHT 6.34 g	DRAWING NO C-2023103	REV B1
		CUSTOMER DRAWING		SCALE 1:1
				SHEET 1 OF 5

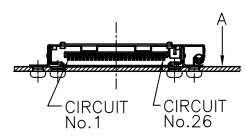
2023103-2; AS SHOWN
 DIMENSION SHOULD BE SAME AS 2023103-1
 EXCEPT FOLLOWING DIMENSIONS.



THIS DRAWING IS A CONTROLLED DOCUMENT.		DWN	Tyco Electronics Corporation Taipei, Taiwan	
DIMENSIONS: mm		CHK	NAME	
TOLERANCES UNLESS OTHERWISE SPECIFIED:		APVD	EJECTOR ASSEMBLY, TOP MOUNT CARD PUSH TYPE, H5.7 EXPRESS CARD CONNECTOR	
<ul style="list-style-type: none"> 0 PLC ± 0.5 1 PLC ± 0.5 2 PLC ± 0.5 3 PLC ± 0.5 4 PLC ± 0.5 ANGLES ± 1° 		PRODUCT SPEC	SIZE	RESTRICTED TO
MATERIAL	FINISH	APPLICATION SPEC	A3 00779	C-2023103
		WEIGHT	CAGE CODE	DRAWING NO
		CUSTOMER DRAWING	SCALE 1:1	SHEET 2 OF 5 REV B1



- ▲ RECOMENDED TIGHTENING TORQUE : 0.15~0.2N·m
- ▲ M2 NUT HEIGHT(FROM MOUNT SURFACE)
- ▲ NPTH
- ▲ GROUNDING PAD
- ▲ SOLDERING PAD
- ▲ CONNECTOR AREA (NO COMPONENT AREA)
- ▲ STAND OFF AREA 0mm
- ▲ NO COMPONENT AND NO SIGNAL LINE AREA

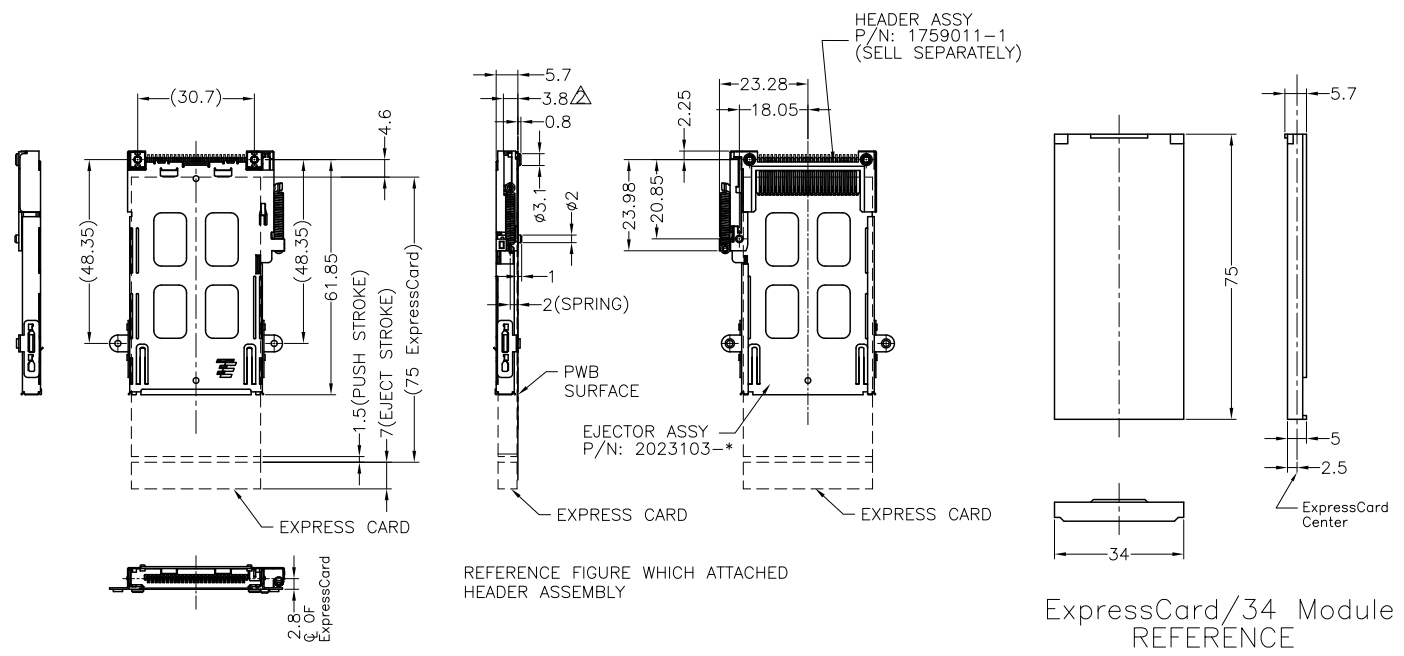


THIS DRAWING IS A CONTROLLED DOCUMENT.		DWN	Tyco Electronics Corporation Taipei, Taiwan	
DIMENSIONS: mm	TOLERANCES UNLESS OTHERWISE SPECIFIED:	CHK	NAME	EJECTOR ASSEMBLY, TOP MOUNT CARD PUSH TYPE, H5.7 EXPRESS CARD CONNECTOR
0 PLC ± 0.5	1 PLC ± 0.5	APVD	SIZE	CAGE CODE
2 PLC ± 0.5	3 PLC ± 0.5	PRODUCT SPEC	A3	00779
4 PLC ± 0.5	ANGLES ± 1°	APPLICATION SPEC	DRAWING NO	C-2023103
MATERIAL	FINISH	WEIGHT	RESTRICTED TO	
CUSTOMER DRAWING		SCALE	1:1	SHEET 3 OF 5 REV B1

THIS DRAWING IS UNPUBLISHED. RELEASED FOR PUBLICATION
 COPYRIGHT BY TYCO ELECTRONICS CORPORATION. ALL RIGHTS RESERVED.

LOC	DIST	REVISIONS			
P	LTR	DESCRIPTION	DATE	DWN	APVD
DW		SEE SHEET 1	-	-	-

2023103-* : AS SHOWN

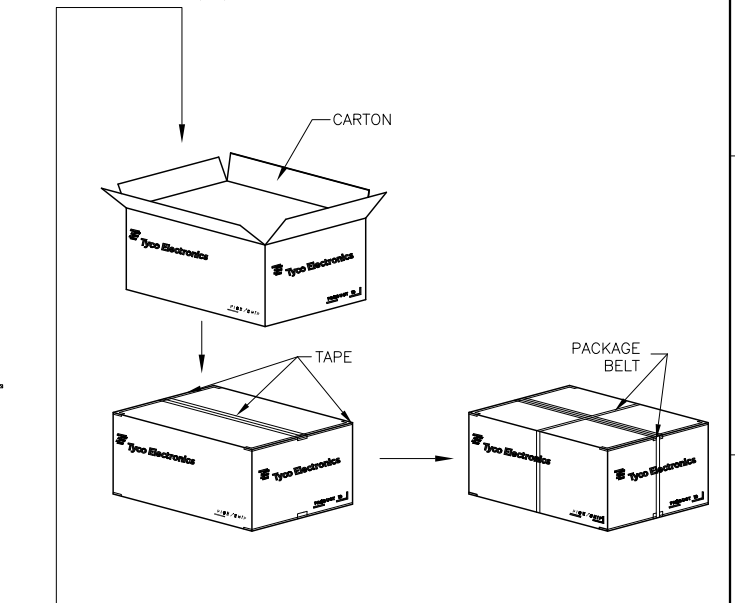
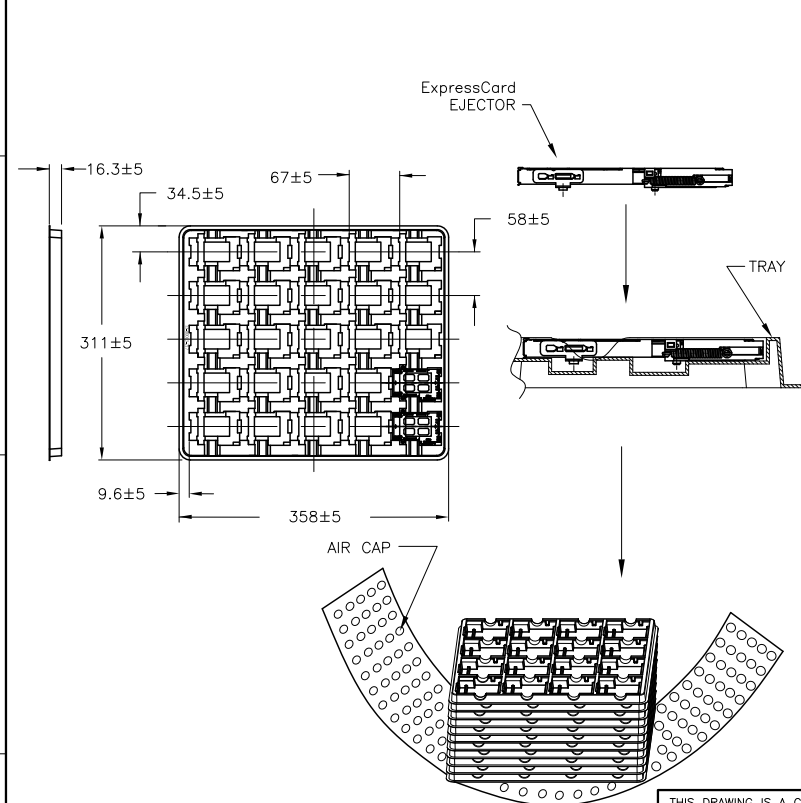


REFERENCE FIGURE WHICH ATTACHED
 HEADER ASSEMBLY

ExpressCard/34 Module
 REFERENCE

THIS DRAWING IS A CONTROLLED DOCUMENT.		DWN	Tyco Electronics Corporation Taipei, Taiwan	
DIMENSIONS: mm		CHK	NAME	
TOLERANCES UNLESS OTHERWISE SPECIFIED: 0 PLC ± 0.5 1 PLC ± 0.5 2 PLC ± 0.5 3 PLC ± 0.5 4 PLC ± 0.5 ANGLES ± 1°		APVD	EJECTOR ASSEMBLY, TOP MOUNT CARD PUSH TYPE, H5.7 EXPRESS CARD CONNECTOR	
MATERIAL		PRODUCT SPEC	SIZE	RESTRICTED TO
FINISH		APPLICATION SPEC	A3 00779 C-2023103	
		WEIGHT	CUSTOMER DRAWING	
			SCALE	SHEET
			1:1	4 OF 5
				REV B1

LOC	DIST	REVISIONS					
DW		P	LTR	DESCRIPTION	DATE	DWN	APVD
				SEE SHEET 1			



9. MATERIAL: TRAY: PS, COLOR: CLEAR, t=0.8
 10. CARTON DIMENSION: 387X315X150

25	12	300
PCS/TRAY	TRAY/CARTON	TOTAL Q'TY

THIS DRAWING IS A CONTROLLED DOCUMENT.		DWN	Tyco Electronics Corporation Taipei, Taiwan	
DIMENSIONS: mm		CHK	NAME	
TOLERANCES UNLESS OTHERWISE SPECIFIED:		APVD	EJECTOR ASSEMBLY, TOP MOUNT CARD PUSH TYPE, H5.7 ExpressCard CONNECTOR	
0 PLC ± 0.5		PRODUCT SPEC	SIZE	CAGE CODE
1 PLC ± 0.5		APPLICATION SPEC	A3	00779
2 PLC ± 0.5		WEIGHT	DRAWING NO	
3 PLC ± 0.5		CUSTOMER DRAWING	C-2023103	
4 PLC ± 0.5			SCALE	SHEET
ANGLES ± 1°			NON	5 OF 5
MATERIAL	FINISH		REV	B1