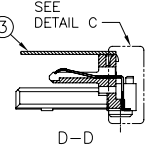
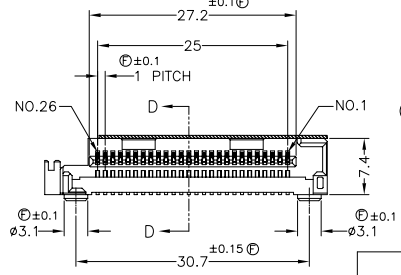
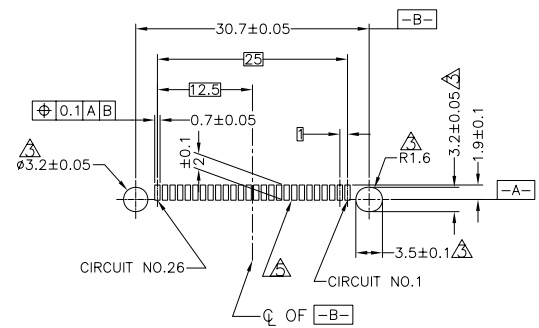
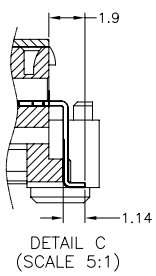
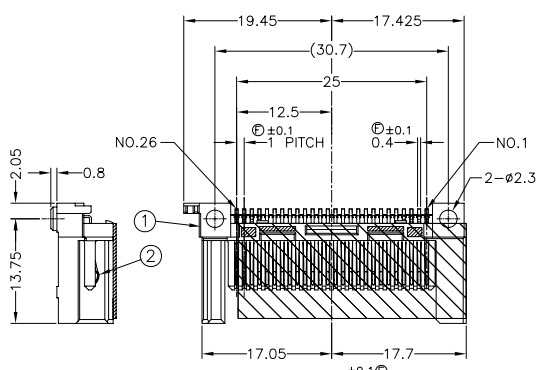
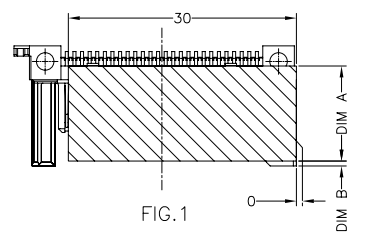


THIS DRAWING IS UNPUBLISHED. RELEASED FOR PUBLICATION
 © COPYRIGHT BY TYCO ELECTRONICS CORPORATION. ALL RIGHTS RESERVED.

LOC	DIST	REVISIONS			
P	LTR	DESCRIPTION	DATE	DMN	APVD
G1		REVISED (ECR-09-011882)	25MAY09	B.W	H.K



- NOTE.
1. BE USE ALTOGETHER THE HEADER AND TE'S FRAME
 2. APPLICABLE FRAME ASSY: 1759333-1
 3. NPTH
 4. PICK PLATE SIZE & LOCATION DIMENSTION ARE SHOWN IN FIG.1
 5. SOLDERINH PAD
 6. NET WEIGHT: 2.32g/EA



4.35	8.8	FR-4 UL94 V-0 COLOR:YELLOW	COPPER ALLOY Au 0.002mm MIN., TIN 0.002mm MIN. Ni 0.00127mm MIN. UNDERPLATING ALL OVER	HIGH TEMP THERMOPLASTIC UL94 V-0 COLOR:BLACK	26	1759331-2
0.65	12.5	FR-4 UL94 V-0 COLOR:TRANSPARENT	COPPER ALLOY Au 0.002mm MIN., TIN 0.002mm MIN. Ni 0.00127mm MIN. UNDERPLATING ALL OVER	HIGH TEMP THERMOPLASTIC UL94 V-0 COLOR:BLACK	26	1759331-1
DIM B	DIM A	③ PICK PLATE	② CONTACT	① HEADER HSG	POS.	PART NUMBER

MATERIAL & FINISH

THIS DRAWING IS A CONTROLLED DOCUMENT.

DMN	E.LIU	11AUG06
CHK	K.KOBAYASHI	11AUG06
APVD	H.KODAMA	11AUG06

NAME: Tyco Electronics Corporation, Taipei, Taiwan

PRODUCT SPEC: 108-99000

APPLICATION SPEC: 108-99000

WEIGHT: 1.85

CAGE CODE: A300779

DRAWING NO: C=1759331

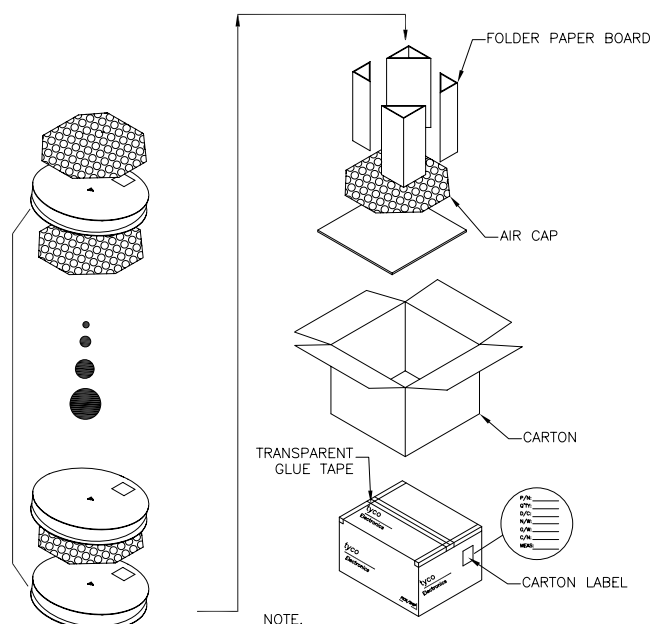
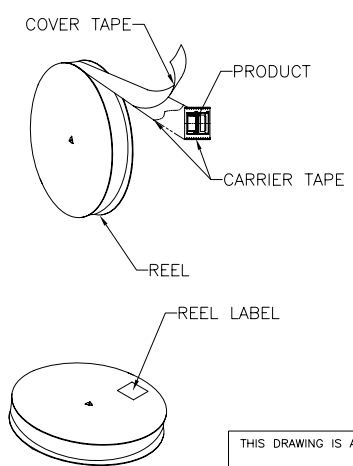
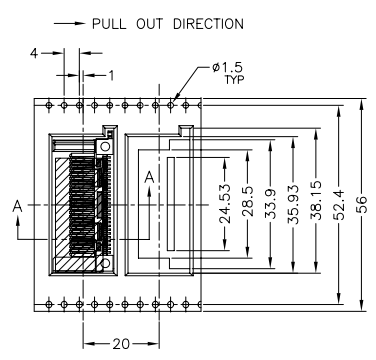
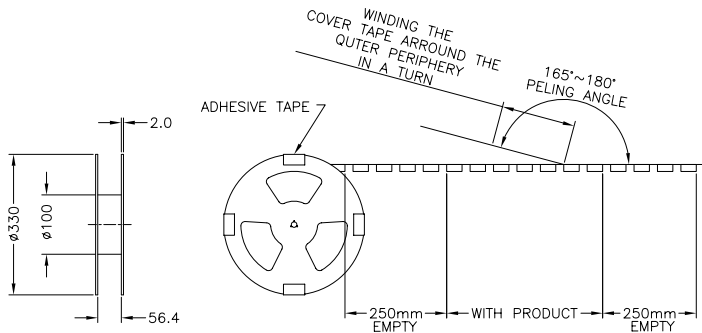
SCALE: 2:1

SHEET: 1 OF 2

REV: G1

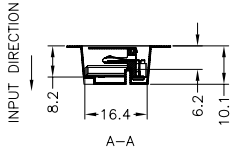
THIS DRAWING IS UNPUBLISHED. RELEASED FOR PUBLICATION
 © COPYRIGHT BY TYCO ELECTRONICS CORPORATION. ALL RIGHTS RESERVED.

LOC	DIST	REVISIONS			
P	LTR	DESCRIPTION	DATE	DWN	APVD
		SEE SHEET 1			



NOTE:
 7. MATERIAL: CARRY TAPE: HIPS; COLOR: CLEAR.
 COVER TAPE: PET; COLOR: CLEAR.
 8. CARTON DIMENSIONS: 355X355X310

250	4	1000
PCS/RELL	RELL/CARTON	TOTAL Q'TY



THIS DRAWING IS A CONTROLLED DOCUMENT.		DWN	Tyco Electronics Corporation Taipéi, Taiwan	
DIMENSIONS: mm		CHK	NAME	
TOLERANCES UNLESS OTHERWISE SPECIFIED:		APVD	HEADER ASSY, BOTTOM MOUNT CARD PUSH TYPE H2.0 ExpressCard CONNECTOR	
0 PLC ± 0.5	PRODUCT SPEC	SIZE CAGE CODE DRAWING NO RESTRICTED TO		
1 PLC ± 0.5	APPLICATION SPEC	A3	00779	C=1759331
2 PLC ± 0.5	WEIGHT	CUSTOMER DRAWING		
3 PLC ± 0.5	SCALE	1:1		
4 PLC ± 0.5	SHEET	2 OF 2		
ANGLES ± 1'	REV	G1		