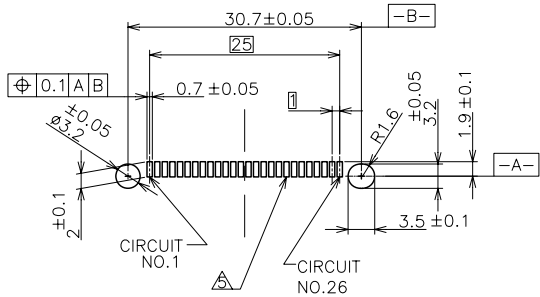
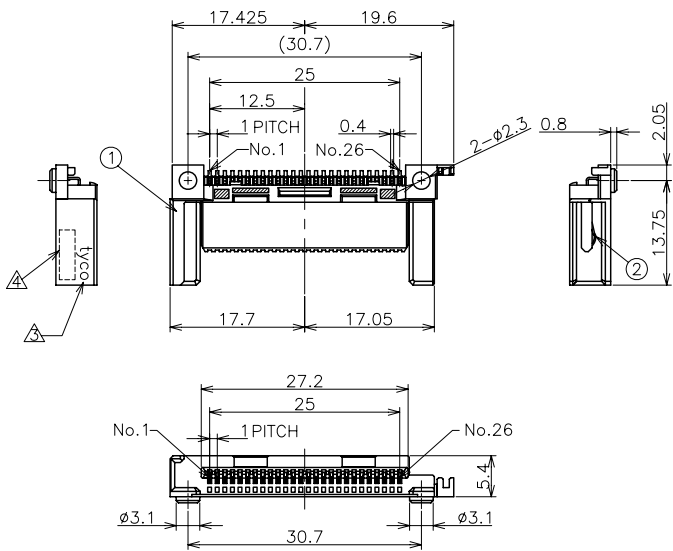


THIS DRAWING IS UNPUBLISHED. RELEASED FOR PUBLICATION
 © COPYRIGHT BY TYCO ELECTRONICS CORPORATION. ALL RIGHTS RESERVED.

| LOC | DIST | REVISIONS | | | |
|-----|------|-------------------------|---------|---------|------|
| P | LTR | DESCRIPTION | DATE | DWN | APVD |
| B | | REVISED (ECR-08-023963) | 18SEP08 | W.C.H.K | |



REFERENCE P.C. BOARD LAYOUT
 (SCALE; 2:1)
 (HEADER CONNECTOR MOUNTING LAYOUT DETAIL)

1759181-1 : AS SHOWN

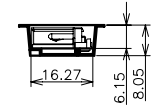
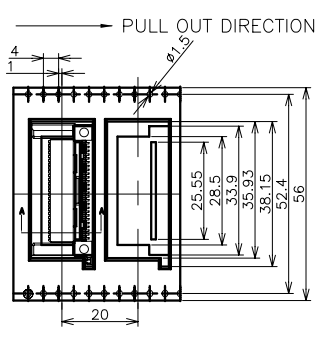
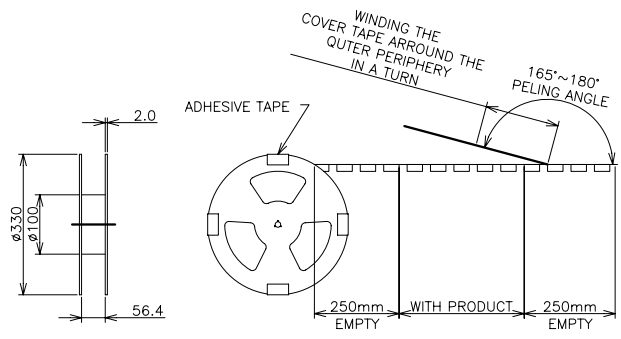
| | | |
|-----|------------|------|
| 26 | CONTACT | ② |
| 1 | HEADER HSG | ① |
| QTY | NAME | ITEM |

NOTE.
 1. BE USE ALTOGETHER THE HEADER AND TE'S FRAME
 2. APPLICABLE FRAME ASSY: 1759180-1
 ⚠ TE MARK
 ⚠ DATE CODE

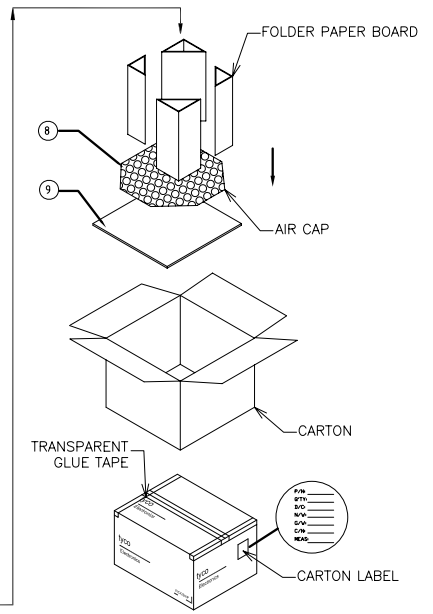
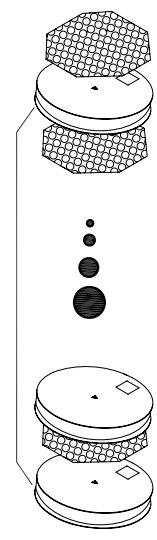
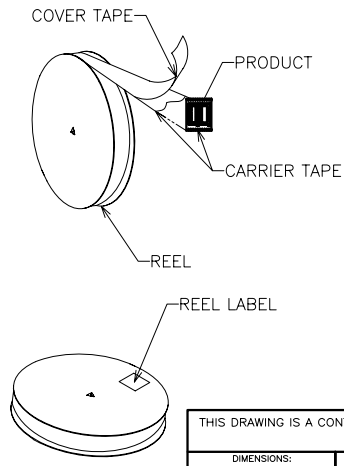
| | | | | |
|--|--------|--|--|--|
| THIS DRAWING IS A CONTROLLED DOCUMENT. | | DWN M. CHAO 22MAY06 | Tyco Electronics Corporation Tyco Electronics Corporation Taipei, Taiwan | |
| DIMENSIONS: mm | | CHK K. KOBAYASHI 22MAY06 | NAME | |
| TOLERANCES UNLESS OTHERWISE SPECIFIED: | | APVD H. KODAMA 22MAY06 | PRODUCT SPEC | |
| 0 PLC ± 0.5 1 PLC ± 0.5 2 PLC ± 0.5 3 PLC ± 0.5 4 PLC ± 0.5 ANGLES ± 1° | | APPLICATION SPEC 108-99000 501-99000 | | HEADER ASSEMBLY, TOP MOUNT CARD PUSH TYPE EXPRESS CARD CONNECTOR |
| MATERIAL | FINISH | WEIGHT | SIZE A3 | CAGE CODE 00779 |
| | | DRAWING NO. 1759181 | | RESTRICTED TO |
| | | CUSTOMER DRAWING | | SCALE 2:1 SHEET 1 OF 2 REV B |

THIS DRAWING IS UNPUBLISHED. RELEASED FOR PUBLICATION
 © COPYRIGHT BY TYCO ELECTRONICS CORPORATION. ALL RIGHTS RESERVED.

| LOC | DIST | REVISIONS | | | |
|-----|------|-------------|------|-----|------|
| P | LTR | DESCRIPTION | DATE | DWN | APVD |
| DW | | SEE SHEET 1 | | | |



SECTION A-A



NOTE:
 1. MATERIAL: CARRY TAPE: HIPS; COLOR: CLEAR.
 COVER TAPE: PET; COLOR: CLEAR.
 2. CARTON DIMENSIONS: 355X355X310

| | | |
|----------|-------------|------------|
| 350 | 4 | 1400 |
| PCS/RELL | RELL/CARTON | TOTAL Q'TY |

| | | | | |
|--|-------------|------------------|--|---------------|
| THIS DRAWING IS A CONTROLLED DOCUMENT. | | DWN | Tyco Electronics Corporation Taipei, Taiwan | |
| DIMENSIONS: mm | | CHK | NAME | |
| TOLERANCES UNLESS OTHERWISE SPECIFIED: | | APVD | HEADER ASSEMBLY, TOP MOUNT CARD PUSH TYPE EXPRESS CARD CONNECTOR | |
| 0 PLC ± 0.5 | 1 PLC ± 0.5 | PRODUCT SPEC | SIZE | CAGE CODE |
| 2 PLC ± 0.5 | 3 PLC ± 0.5 | APPLICATION SPEC | A3 | 00779 |
| 4 PLC ± 0.5 | ANGLES ± 1° | WEIGHT | DRAWING NO | RESTRICTED TO |
| MATERIAL | FINISH | CUSTOMER DRAWING | 1759181 | |
| | | SCALE | 2:1 | SHEET 2 OF 2 |
| | | REV | B | |