

4

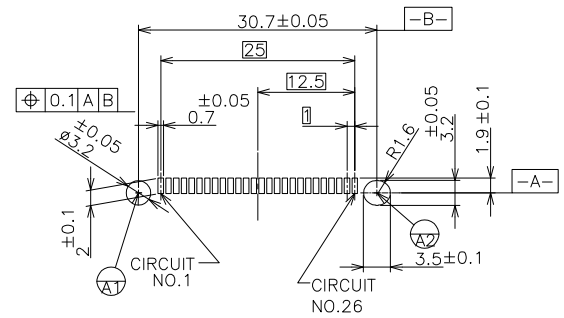
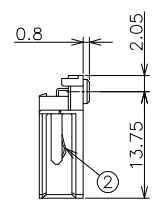
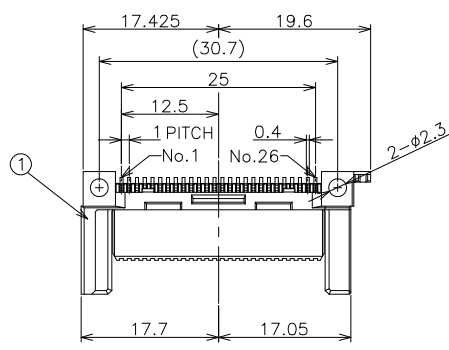
3

2

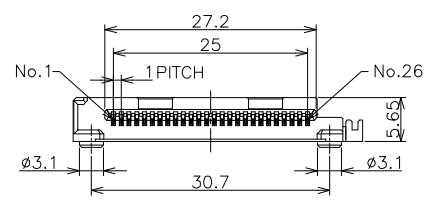
1

THIS DRAWING IS UNPUBLISHED. RELEASED FOR PUBLICATION
 © COPYRIGHT BY TYCO ELECTRONICS CORPORATION. ALL RIGHTS RESERVED.

LOC	DIST	REVISIONS			
P	LTR	DESCRIPTION	DATE	DWN	APVD
B		REVISED (ECR-06-009033)	12APR06	M.C	H.K



REFERENCE P.C. BOARD LAYOUT
 (SCALE; 2:1)
 (HEADER CONNECTOR MOUNTING LAYOUT DETAIL)



1759153-1 : AS SHOWN

NOTE.
 1. BE USE ALTOGETHER THE HEADER AND TYCO'S FRAME
 2. APPLICABLE FRAME ASSY: 1759152-1

26	CONTACT	②
1	HEADER HSG	①
QTY	NAME	ITEM

THIS DRAWING IS A CONTROLLED DOCUMENT.		DWN M. CHAO	30NOV05		Tyco Holdings (Bermuda)	
DIMENSIONS: mm		CHK H. KODAMA	30NOV05		VII LTD, Taiwan Branch	
TOLERANCES UNLESS OTHERWISE SPECIFIED:		APVD H. KODAMA	30NOV05	NAME	HEADER ASSY, TOP MOUNT H=0.25	
0 PLC ± 0.5		PRODUCT SPEC		CARD PUSH TYPE		
1 PLC ± 0.5		APPLICATION SPEC		ExpressCard CONNECTOR		
2 PLC ± 0.5		WEIGHT		SIZE	CAGE CODE	DRAWING NO
3 PLC ± 0.5		CUSTOMER DRAWING		A.3	00779	©=1759153
4 PLC ± 0.5	FINISH	RESTRICTED TO		SCALE		
ANGLES ± 1°		SHEET		REV		

AMP 1470-19 REV 31MAR2000

P:\Product_Engineer\Key_Project\Express_Card\Exp_TOPMount_DWG\STW-2\Cod_file\C-dwg\C-1759153_REV_B_HDR_Assy.dwg

4

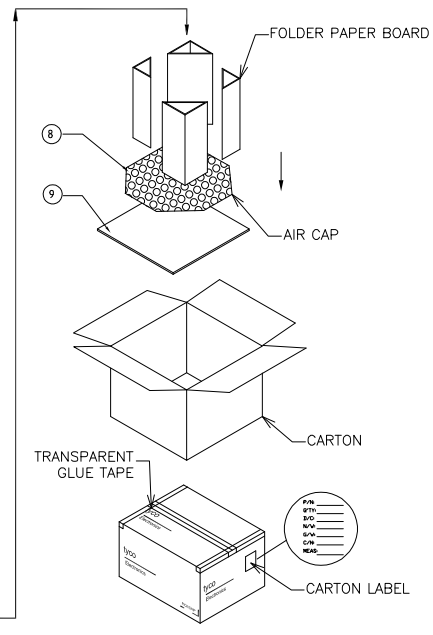
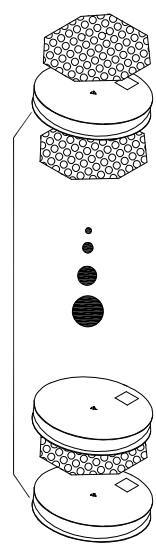
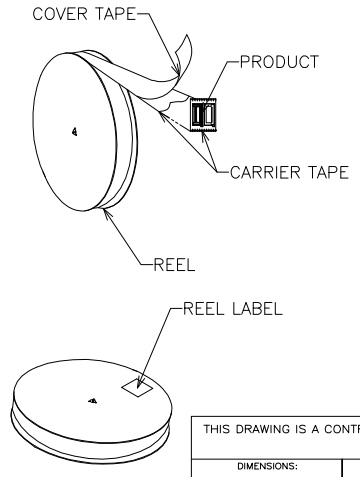
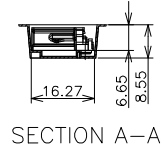
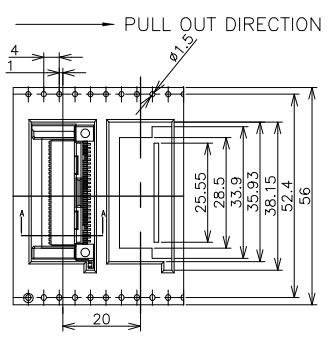
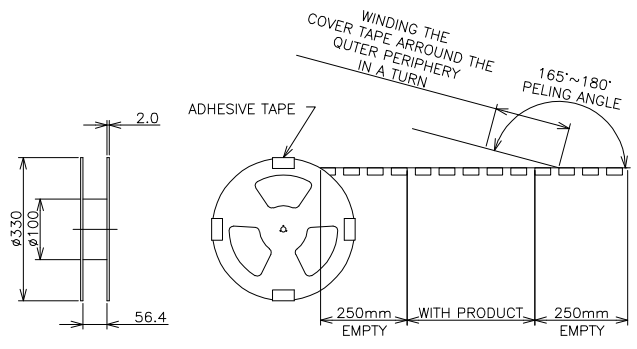
3

2

1

THIS DRAWING IS UNPUBLISHED. RELEASED FOR PUBLICATION
 © COPYRIGHT BY TYCO ELECTRONICS CORPORATION. ALL RIGHTS RESERVED.

LOC	DIST	REVISIONS				
P	LTR	DESCRIPTION	DATE	DWN	APVD	
DW		SEE SHEET 1				



NOTE.
 1. MATERIAL: CARRY TAPE: HIPS; COLOR: CLEAR.
 COVER TAPE: PET; COLOR: CLEAR.
 2. CARTON DIMENSIONS: 355X355X310

300	4	1200
PCS/RELL	RELL/CARTON	TOTAL Q'TY

THIS DRAWING IS A CONTROLLED DOCUMENT.		OWN	Tyco Holdings (Bermuda)	
DIMENSIONS: mm		CHK	VII LTD, Taiwan Branch	
TOLERANCES UNLESS OTHERWISE SPECIFIED:		APVD	NAME	
0 PLC	± 0.5	PRODUCT SPEC	HEADER ASSY, TOP MOUNT	
1 PLC	± 0.5	APPLICATION SPEC	CARD PUSH TYPE	
2 PLC	± 0.5	WEIGHT	ExpressCard CONNECTOR	
3 PLC	± 0.5	CUSTOMER DRAWING	SIZE	RESTRICTED TO
4 PLC	± 0.5		A3	
ANGLES	± 1°		CAGE CODE	DRAWING NO
MATERIAL	FINISH		00779	©=1759153
		SCALE	1:1	SHEET 2 OF 2
		REV	B	

AMP 1470-19 REV 31MAR2000

P:\Product_Engineer\Key_Project\Express_Card\Exp_TOPMount_DWG\STW-2\Cad_file\C-dwg\C-1759153_REV_B_HDR_Assy.dwg