

4

3

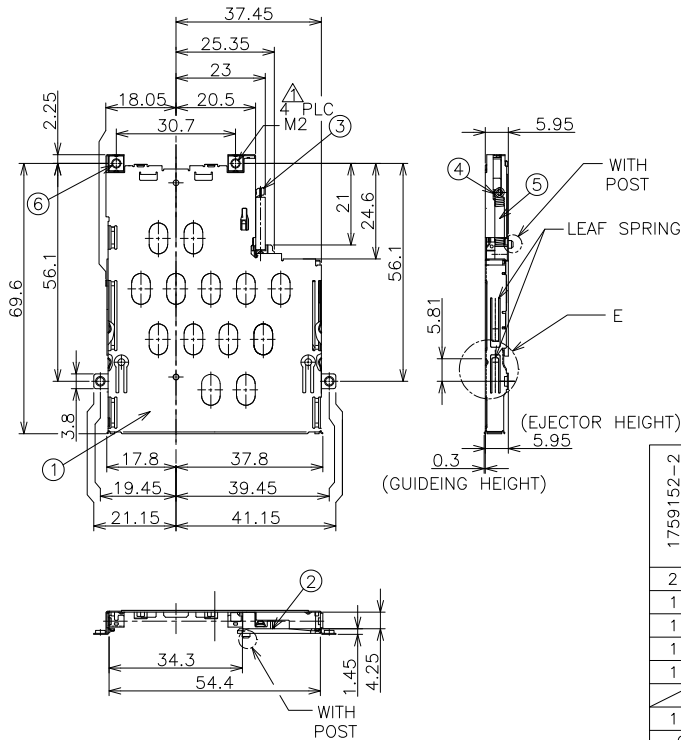
2

1

THIS DRAWING IS UNPUBLISHED. RELEASED FOR PUBLICATION  
 © COPYRIGHT BY TYCO ELECTRONICS CORPORATION. ALL RIGHTS RESERVED.

LOC	DIST	REVISIONS			
P	LTR	DESCRIPTION	DATE	DWN	APVD
D		REVISED (ECR-07-013533)	21JUN07	S.W	H.K

1759152-1 : AS SHOWN



QTY	COLOR	MATERIAL	NAME	ITEM
2	2	STAINLESS STEEL	NUT	⑥
1	1	STEEL	COIL SPRING	⑤
1	1	STEEL	CAM ROD	④
1	1	STAINLESS STEEL	SLIDER	③
1		BRACK THERMOPLASTIC (UL94 V-0)	GUIDE RAIL HSG (WITHOUT POST)	②
1		BRACK THERMOPLASTIC (UL94 V-0)	GUIDE RAIL HSG (WITH POST)	②
1	1	STAINLESS STEEL	SHIELD FRAME UPPER	①

THIS DRAWING IS A CONTROLLED DOCUMENT.

DIMENSIONS: mm	TOLERANCES UNLESS OTHERWISE SPECIFIED:	DWN: M. CHAO 30NOV05	CHK: H. KODAMA 30NOV05	APVD: H. KODAMA 30NOV05	NAME: H. KODAMA	PRODUCT SPEC: 108-99000	APPLICATION SPEC: 501-99000	WEIGHT: A.3	SIZE: 00779	CAGE CODE: C-1759152	DRAWING NO: 1759152	RESTRICTED TO: D
MATERIAL FINISH		Tyco Electronics		Tyco Electronics Corporation		SHIELD FRAME ASSY, TOP MOUNT H=0.25		CARD PUSH TYPE		ExpressCARD CONNECTOR		SCALE: 1:1
CUSTOMER DRAWING		Taipei, Taiwan		108-99000		501-99000		A.3		C-1759152		SHEET 1 OF 7

4

3

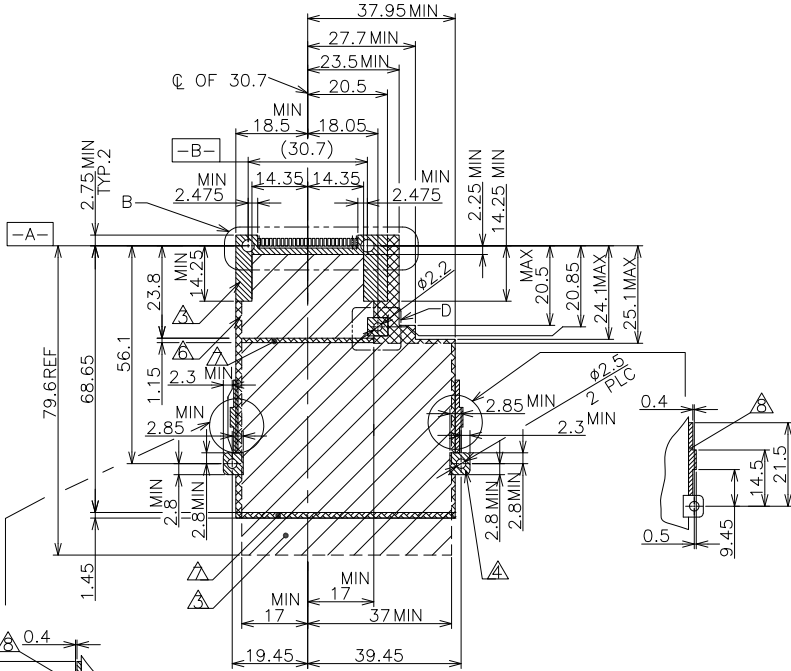
2

1

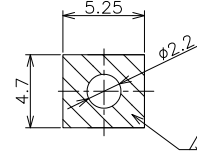
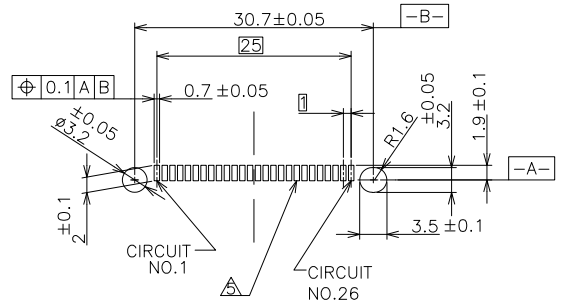
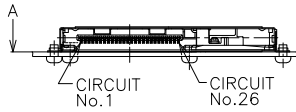
THIS DRAWING IS UNPUBLISHED. RELEASED FOR PUBLICATION  
 © COPYRIGHT BY TYCO ELECTRONICS CORPORATION. ALL RIGHTS RESERVED.

1759152-1 : AS SHOWN

LOC	DIST	REVISIONS			
P	LTR	DESCRIPTION	DATE	DWN	APVD
DW		SEE SHEET 1			



VIEW A (TOLERANCES : ±0.05)  
REFERENCE P.C. BOARD LAYOUT



DIMENSIONS:		TOLERANCES UNLESS OTHERWISE SPECIFIED:		DWN		Tyco Electronics Tyco Electronics Corporation Taipei, Taiwan					
mm				CHK	APVD	NAME					
	0 PLC	± 0.5	THIS DRAWING IS A CONTROLLED DOCUMENT.	PRODUCT SPEC	SHIELD FRAME ASSY, TOP MOUNT H=0.25						
	1 PLC	± 0.5		APPLICATION SPEC	CARD PUSH TYPE						
	2 PLC	± 0.5		WEIGHT	ExpressCARD CONNECTOR						
	3 PLC	± 0.5		CUSTOMER DRAWING	SIZE	CAGE CODE	DRAWING NO	RESTRICTED TO			
	4 PLC	± 0.5			A3	00779	C-1759152				
	ANGLES	± 1°		SCALE	1:1	SHEET	2	OF	7	REV	D

4

3

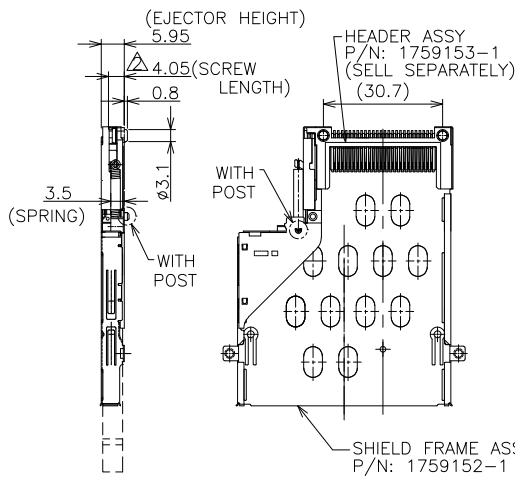
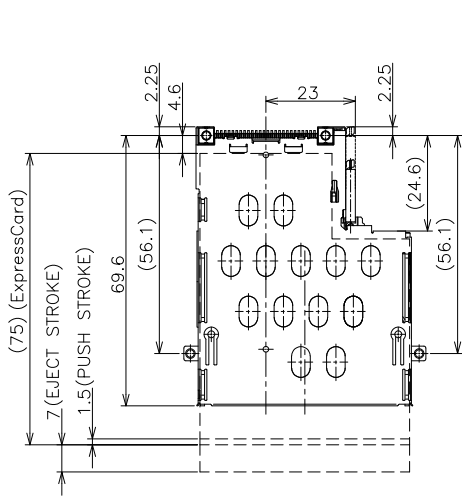
2

1

THIS DRAWING IS UNPUBLISHED. RELEASED FOR PUBLICATION  
 © COPYRIGHT - BY TYCO ELECTRONICS CORPORATION. ALL RIGHTS RESERVED.

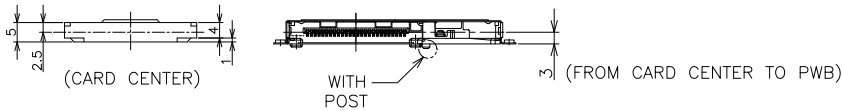
LOC	DIST	REVISIONS				
P	LTR	DESCRIPTION	DATE	DWN	APVD	
DW		SEE SHEET 1				

1759152-1 : AS SHOWN



- △ RECOMENDED TIGHTENING TORQUE 0.10Nm MAX
- △ SCREW LENGTH(FROM MOUNT SURFACE)
- △ NO COMPONENT AND NO SIGNAL LINE AREA
- △ GROUNDING PAD
- △ SOLDERING PAD
- △ CONNECTOR AREA (STAND OFF 0.25)
- △ STAND OFF 0
- △ NO COMPONENT AREA

REFERENCE FIGURE WHICH ATTACHED HEADER ASSEMBLY



THIS DRAWING IS A CONTROLLED DOCUMENT.		DWN	Tyco Electronics Corporation Taipei, Taiwan		
DIMENSIONS: mm		CHK	NAME		
TOLERANCES UNLESS OTHERWISE SPECIFIED:		APVD	SHIELD FRAME ASSY, TOP MOUNT H=0.25 CARD PUSH TYPE ExpressCARD CONNECTOR		
0 PLC ± 0.5		PRODUCT SPEC	SIZE	CAGE CODE	DRAWING NO
1 PLC ± 0.5		APPLICATION SPEC	A3	00779	1759152
2 PLC ± 0.5		WEIGHT	RESTRICTED TO		
3 PLC ± 0.5		CUSTOMER DRAWING	SCALE 1:1 SHEET 3 OF 7 REV D		
4 PLC ± 0.5					
ANGLES ± 1°					
MATERIAL FINISH					

4

3

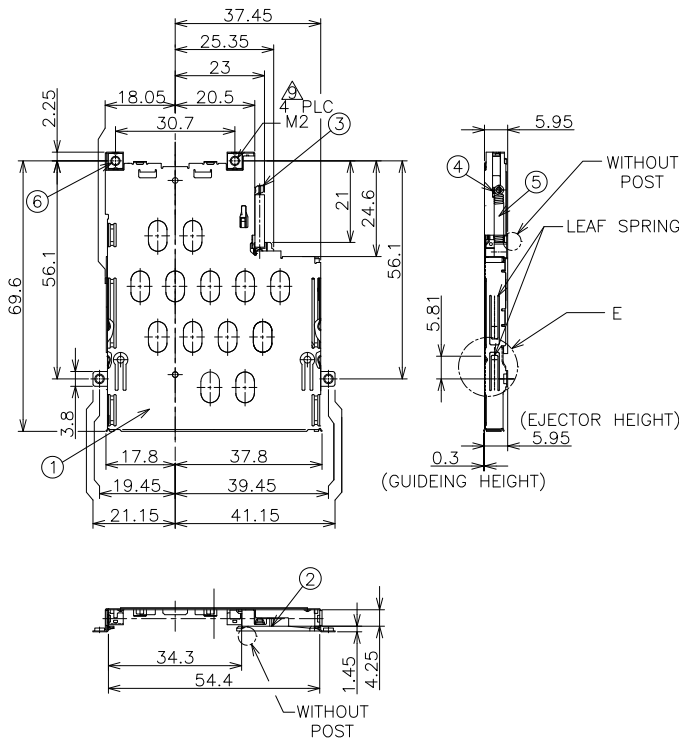
2

1

THIS DRAWING IS UNPUBLISHED. RELEASED FOR PUBLICATION  
 © COPYRIGHT - BY TYCO ELECTRONICS CORPORATION. ALL RIGHTS RESERVED.

LOC	DIST	REVISIONS			
P	LTR	DESCRIPTION	DATE	DWN	APVD
DW					

1759152-2 : AS SHOWN



THIS DRAWING IS A CONTROLLED DOCUMENT.		DWN	Tyco Electronics Corporation Taipei, Taiwan		
DIMENSIONS: mm		CHK	NAME		
TOLERANCES UNLESS OTHERWISE SPECIFIED:		APVD	SHIELD FRAME ASSY, TOP MOUNT H=0.25 CARD PUSH TYPE ExpressCARD CONNECTOR		
0 PLC ± 0.5		PRODUCT SPEC	SIZE	CAGE CODE	DRAWING NO
1 PLC ± 0.5		APPLICATION SPEC	A.3	00779	1759152
2 PLC ± 0.2		WEIGHT	RESTRICTED TO		
3 PLC ± 0.2		CUSTOMER DRAWING	SCALE 1:1 SHEET 4 OF 7 REV D		
4 PLC ± 0.2					
ANGLES ± 1°					
MATERIAL	FINISH				

4

3

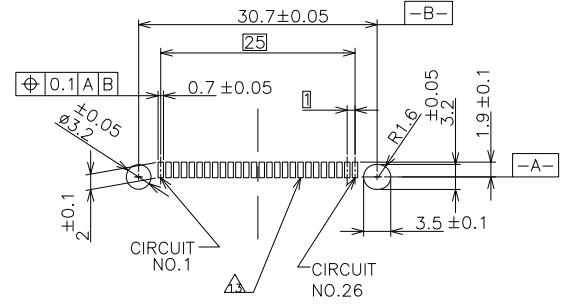
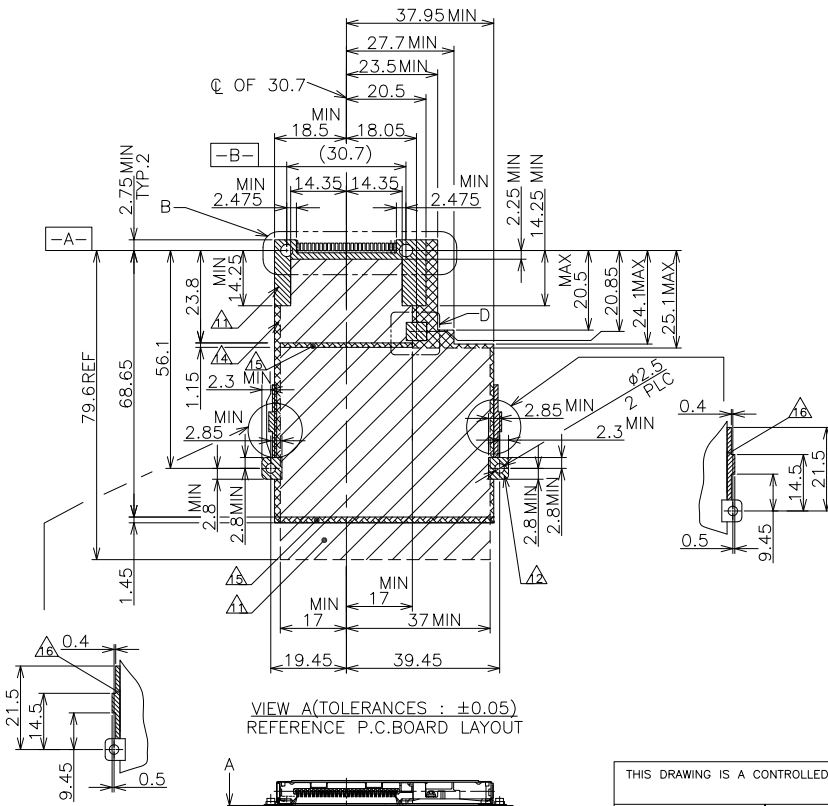
2

1

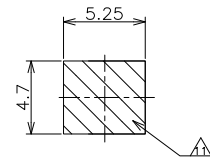
THIS DRAWING IS UNPUBLISHED. RELEASED FOR PUBLICATION  
 © COPYRIGHT BY TYCO ELECTRONICS CORPORATION. ALL RIGHTS RESERVED.

LOC		DIST		REVISIONS				
P	LTR	DESCRIPTION			DATE	DWN	APVD	
-	-	SEE SHEET 1			-	-	-	

1759152-2 : AS SHOWN



DETAIL B (SCALE; 2:1) (HEADER CONNECTOR MOUNTING LAYOUT DETAIL)



DETAIL D (SCALE; 4:1)

AMP 1470-19 REV 31MAR2000

THIS DRAWING IS A CONTROLLED DOCUMENT.		DWN	Tyco Electronics Corporation Taipei, Taiwan	
DIMENSIONS: mm		CHK	NAME	
TOLERANCES UNLESS OTHERWISE SPECIFIED:		APVD	SHIELD FRAME ASSY, TOP MOUNT H=0.25 CARD PUSH TYPE ExpressCARD CONNECTOR	
0 PLC ± 0.5		PRODUCT SPEC	SIZE	CAGE CODE
1 PLC ± 0.5		APPLICATION SPEC	A3	00779
2 PLC ± 0.5		WEIGHT	DRAWING NO	
3 PLC ± 0.5		CUSTOMER DRAWING	C=1759152	
4 PLC ± 0.5		SCALE	1:1	SHEET
ANGLES ± 1°		RESTRICTED TO	5	7
MATERIAL FINISH		REV	D	

4

3

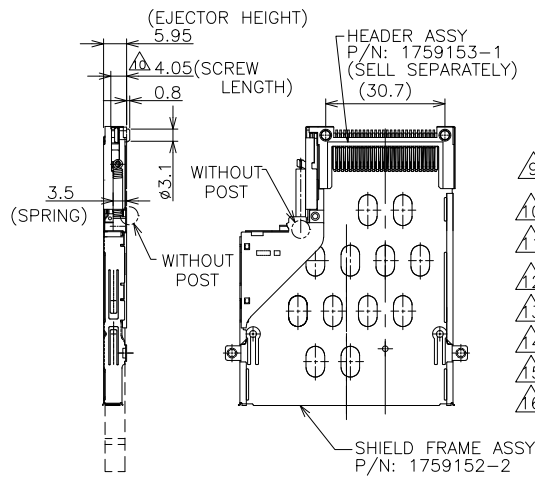
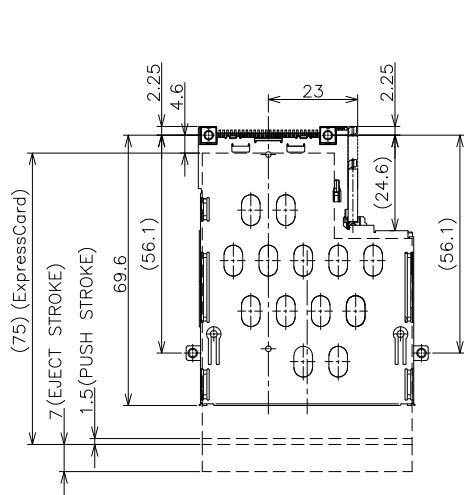
2

1

THIS DRAWING IS UNPUBLISHED. RELEASED FOR PUBLICATION  
 © COPYRIGHT - BY TYCO ELECTRONICS CORPORATION. ALL RIGHTS RESERVED.

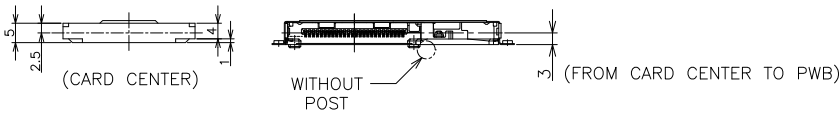
LOC	DIST	REVISIONS				
P	LTR	DESCRIPTION	DATE	DWN	APVD	
DW		SEE SHEET 1				

1759152-2: AS SHOWN



- 9 RECOMENDED TIGHTENING TORQUE 0.10Nm MAX
- 10 SCREW LENGTH(FROM MOUNT SURFACE) AREA
- 11 NO COMPONENT AND NO SIGNAL LINE AREA
- 12 GROUNDING PAD
- 13 SOLDERING PAD
- 14 CONNECTOR AREA (STAND OFF 0.25)
- 15 STAND OFF 0
- 16 NO COMPONENT AREA

REFERENCE FIGURE WHICH ATTACHED HEADER ASSEMBLY



THIS DRAWING IS A CONTROLLED DOCUMENT.		DWN	Tyco Electronics Corporation Taipei, Taiwan		
DIMENSIONS: mm		CHK	NAME		
TOLERANCES UNLESS OTHERWISE SPECIFIED:		APVD	SHIELD FRAME ASSY, TOP MOUNT H=0.25 CARD PUSH TYPE ExpressCARD CONNECTOR		
0 PLC ± 0.5		PRODUCT SPEC	SIZE	CAGE CODE	DRAWING NO
1 PLC ± 0.5		APPLICATION SPEC	A3	00779	1759152
2 PLC ± 0.5		WEIGHT	RESTRICTED TO		
3 PLC ± 0.5		CUSTOMER DRAWING	SCALE 1:1 SHEET 6 OF 7 REV D		
4 PLC ± 0.5					
ANGLES ± 1°					
MATERIAL FINISH					

4

3

2

1

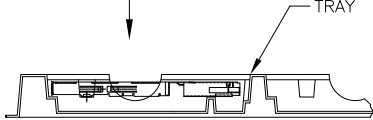
THIS DRAWING IS UNPUBLISHED. RELEASED FOR PUBLICATION  
 © COPYRIGHT - BY TYCO ELECTRONICS CORPORATION. ALL RIGHTS RESERVED.

LOC	DIST	REVISIONS			
P	LTR	DESCRIPTION	DATE	DWN	APVD
DW	-	SEE SHEET 1	-	-	-

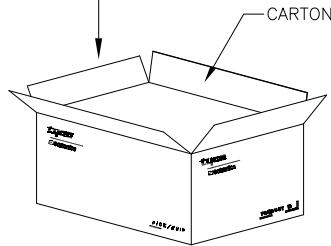
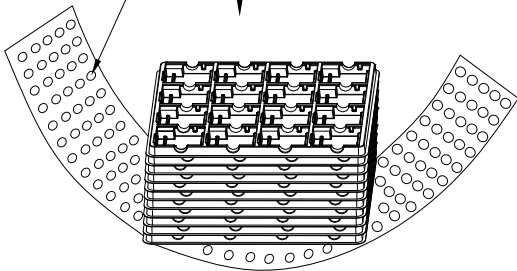
ExpressCard EJECTOR



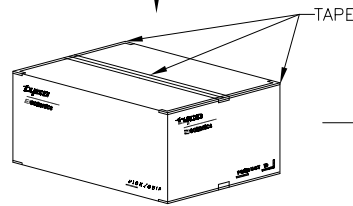
TRAY



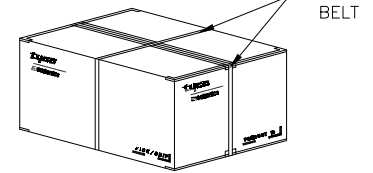
AIR CAP



CARTON



TAPE



PACKAGE BELT

- 17. MATERIAL: TRAY: PS, COLOR: CLEAR, t=0.8
- 18. CARTON DIMENSION: 363X320X152

16	10	160	1759152-2
16	10	160	1759152-1
PCS/TRAY	TRAY/CARTON	TOTAL Q'TY	PARTS NO.

THIS DRAWING IS A CONTROLLED DOCUMENT.		DWN	Tyco Electronics Corporation Taipei, Taiwan	
DIMENSIONS: mm	TOLERANCES UNLESS OTHERWISE SPECIFIED:	CHK	NAME	
0 PLC ± 0.5	1 PLC ± 0.5	APVD	SHIELD FRAME ASSY, TOP MOUNT H=0.25	
2 PLC ± 0.5	3 PLC ± 0.5	PRODUCT SPEC	CARD PUSH TYPE	
4 PLC ± 0.5	ANGLES ± 1°	APPLICATION SPEC	ExpressCARD CONNECTOR	
MATERIAL	FINISH	WEIGHT	SIZE	RESTRICTED TO
			A3	
		CUSTOMER DRAWING	CAGE CODE	DRAWING NO
			00779	1759152
		SCALE	SHEET	REV
		NON	7	7