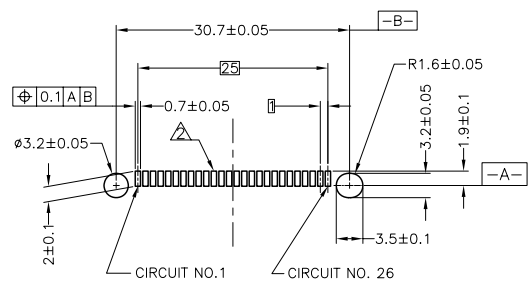
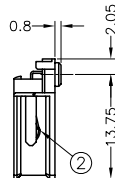
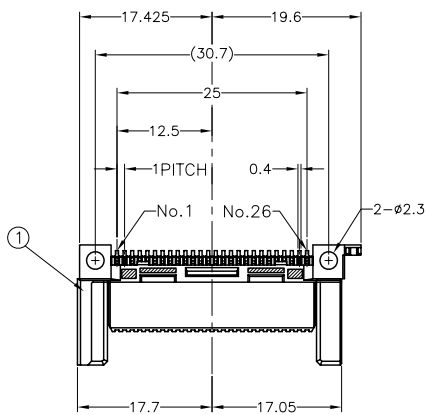
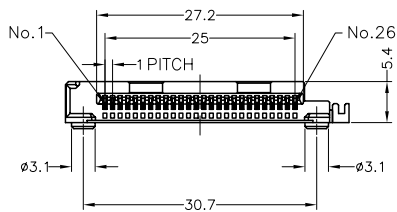


THIS DRAWING IS UNPUBLISHED. RELEASED FOR PUBLICATION  
 © COPYRIGHT BY TYCO ELECTRONICS CORPORATION. ALL RIGHTS RESERVED.

LOC	DIST	REVISIONS			
P	LTR	DESCRIPTION	DATE	DWN	APVD
C		REVISED (ECR-08-023963)	18SEP08	W.C	H.K



REFERENCE P.C. BOARD LAYOUT  
 GENERAL TOLERANCE ±0.05  
 (SCALE: 2:1)  
 (HEADER CONNECTOR MOUNTING LAYOUT DETAIL)



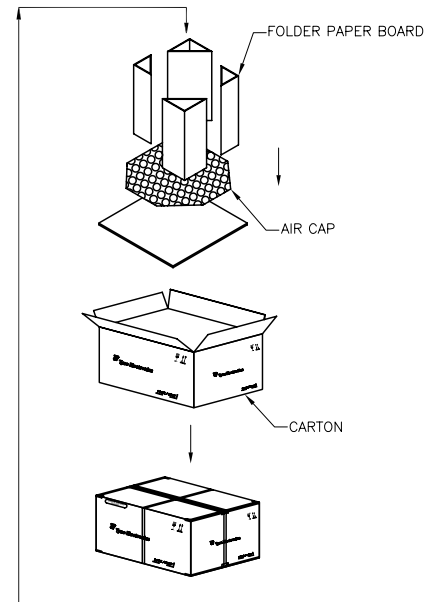
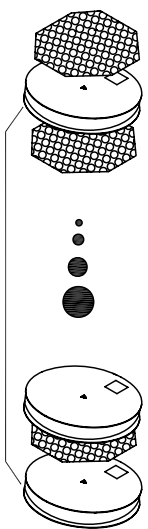
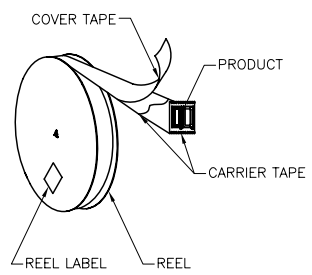
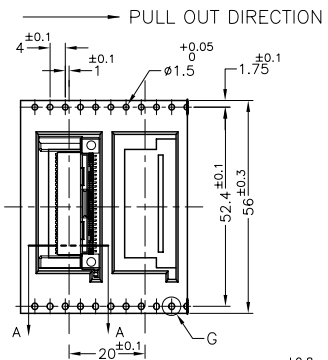
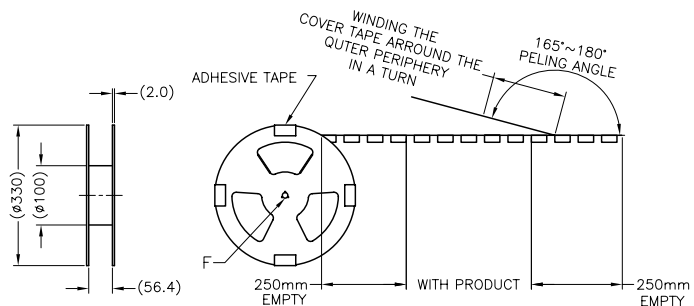
COPPER ALLOY Au 0.000381mm MIN., TIN 0.002mm MIN. Ni 0.00127mm MIN. UNDERPLATING ALL OVER	HIGH TEMP THERMOPLASTIC UL94 V-0 COLOR:BLACK	26	1759011-2
COPPER ALLOY Au 0.0002mm MIN., TIN 0.002mm MIN. Ni 0.00127mm MIN. UNDERPLATING ALL OVER	HIGH TEMP THERMOPLASTIC UL94 V-0 COLOR:BLACK	26	1759011-1
②CONTACT	①HEADER HSG	POS.	PART NUMBER

1. BE USE ALTOGETHER THE HEADER AND TYCO ELECTRONICS'S FRAME  
 △ SOLDER PAD

THIS DRAWING IS A CONTROLLED DOCUMENT.		DWN: M. CHAO 16FEB05	Tyco Electronics Corporation Taipei, Taiwan	
DIMENSIONS: mm		CHK: T. FUTATSUGI 16FEB05	Tyco Electronics	
TOLERANCES UNLESS OTHERWISE SPECIFIED:		APVD: H. KODAMA 16FEB05	NAME	
0 PLC ±0.5	1 PLC ±0.5	PRODUCT SPEC: 108-99000		
2 PLC ±0.5	3 PLC ±0.5	APPLICATION SPEC		
4 PLC ±0.5	ANGLES ±1°	WEIGHT: 1.25 g		
MATERIAL	FINISH	SIZE: A3	CAGE CODE: 00779	DRAWING NO: 1759011
		CUSTOMER DRAWING		RESTRICTED TO
		SCALE: 2:1	SHEET: 1 of 2	REV: C

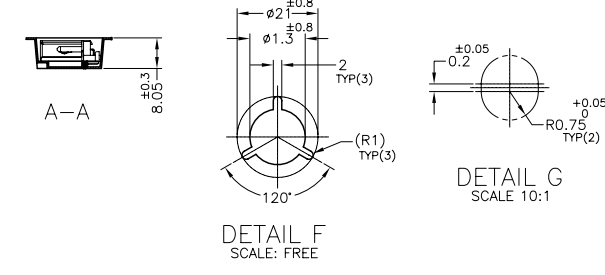
THIS DRAWING IS UNPUBLISHED. RELEASED FOR PUBLICATION  
 © COPYRIGHT BY TYCO ELECTRONICS CORPORATION. ALL RIGHTS RESERVED.

LOC	DIST	REVISIONS			
P	LTR	DESCRIPTION	DATE	DWN	APVD
DW		SEE SHEET 1	-	-	-



3. PACKING MATERIAL: CARRIER TAPE: HIPS; COLOR: CLEAR.  
 COVER TAPE: PET; COLOR: CLEAR.  
 4. CARTON DIMENSIONS: 355X355X310

PCS/REEL	REEL/CARTON	TOTAL Q'TY
350	4	1400



THIS DRAWING IS A CONTROLLED DOCUMENT.		DWN		Tyco Electronics Corporation Taipei, Taiwan	
DIMENSIONS: mm		CHK		NAME	
TOLERANCES UNLESS OTHERWISE SPECIFIED:		APVD		PRODUCT SPEC	
0 PLC ±1		PRODUCT SPEC		APPLICATION SPEC	
1 PLC ±1		APPLICATION SPEC		WEIGHT	
2 PLC ±1		WEIGHT		SIZE CAGE CODE DRAWING NO	
3 PLC ±1		CUSTOMER DRAWING		A3 00779 C-1759011	
4 PLC ±1		SCALE 1:1		RESTRICTED TO	
ANGLES ±1		SHEET 2 of 2		REV C	