

4

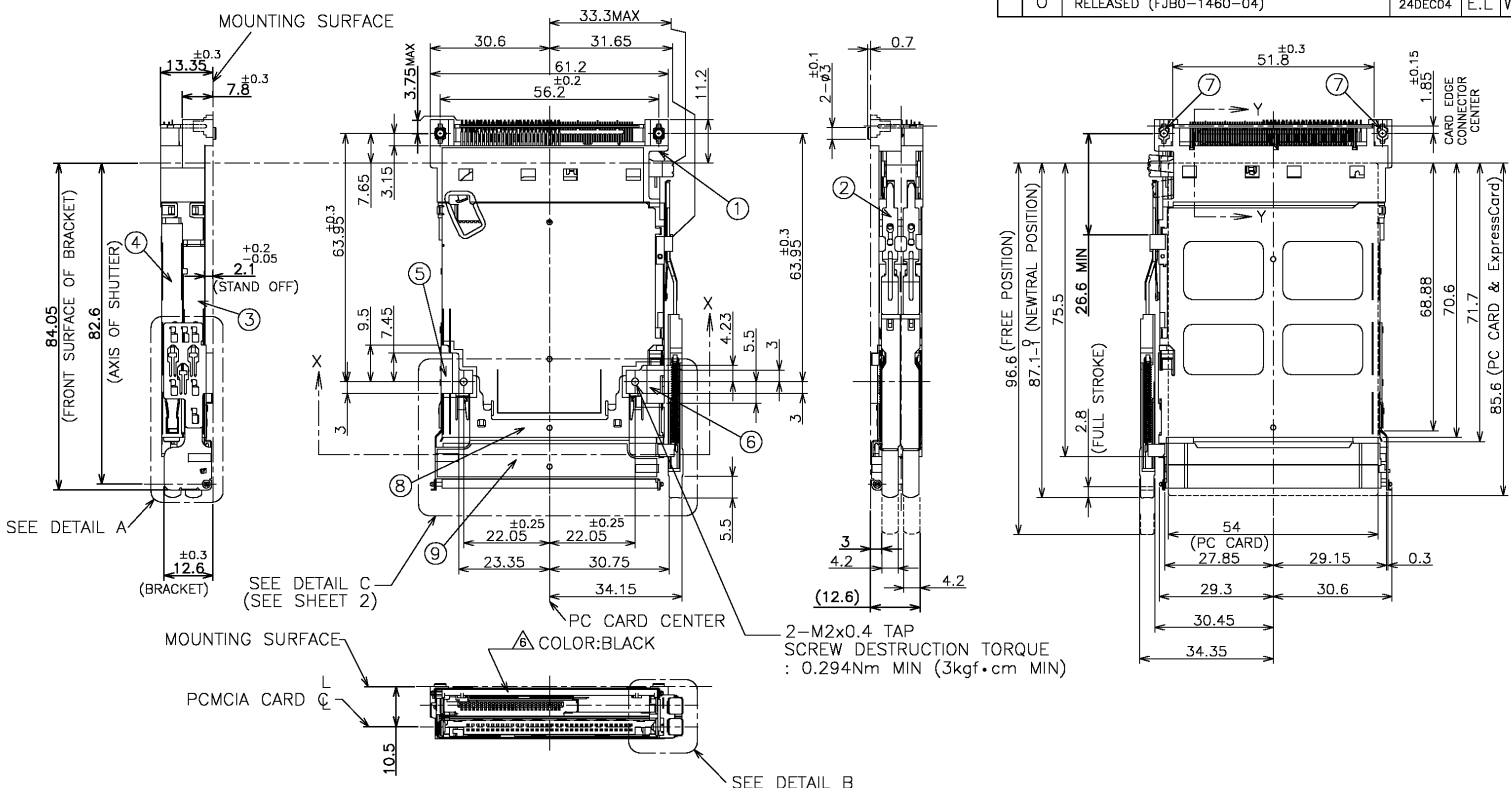
3

2

1

THIS DRAWING IS UNPUBLISHED. RELEASED FOR PUBLICATION
 © COPYRIGHT 2004 BY TYCO ELECTRONICS CORPORATION. ALL RIGHTS RESERVED.

LOC	DIST	REVISIONS			
P	LTR	DESCRIPTION	DATE	DWN	APVD
0		RELEASED (FJB0-1460-04)	24DEC04	E.L	W.K



QTY	NAME	ITEM
1	INSULATION SHEET(SHUTTER BRACKET SURFACE)	⑨
1	INSULATION SHEET	⑧
2	NUT(M2x0.4)	⑦
1	BRACKET (R)	⑥
1	BRACKET (L)	⑤
1	LOWER SHELL	④
1	UPPER SHELL	③
1	PUSH-PUSH SUB ASSY	②
1	HEADER ASSY (BOTTOM TYPE , RIGHT BUTTON)	①

THIS DRAWING IS A CONTROLLED DOCUMENT.

DIMENSIONS:	TOLERANCES UNLESS OTHERWISE SPECIFIED:
MM	0 PLC ± 0.5
	1 PLC ± 0.5
	2 PLC ± 0.5
	3 PLC ± 0.5
	4 PLC ± 0.5
	ANGLES ±

MATERIAL: _____ FINISH: _____

DWN	24DEC04	tyco Electronics	1747835-1 : AS SHOWN	
CHK	E.LIU		Tyco Electronics AMP K.K. Kawasaki, Japan	
APVD	T.FUTATSUGI	NAME	CARDBUS-ExpressCard CONNECTOR DBL SLOT BOTTOM MOUNT TYPE PUSH-PUSH RIGHT BUTTON	
	W.KODAMA	SIZE	A3	RESTRICTED
	108-78210	CAGE CODE	00779	
		DRAWING NO	1747835	
		SCALE	1:1	
		SHEET	1	5
		REV	0	

4

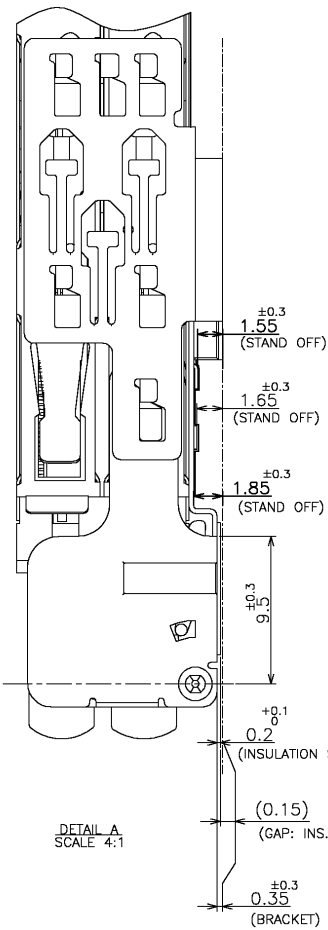
3

2

1

THIS DRAWING IS UNPUBLISHED. RELEASED FOR PUBLICATION
 © COPYRIGHT 2004 BY TYCO ELECTRONICS CORPORATION. ALL RIGHTS RESERVED.

LOC	DIST	REVISIONS			
P	LTR	DESCRIPTION	DATE	DWN	APVD
-	-	SEE SHEET 1	-	-	-



DETAIL A
SCALE 4:1

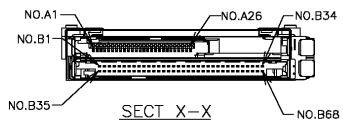
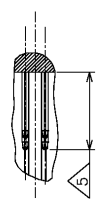
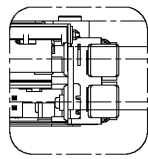


TABLE 1

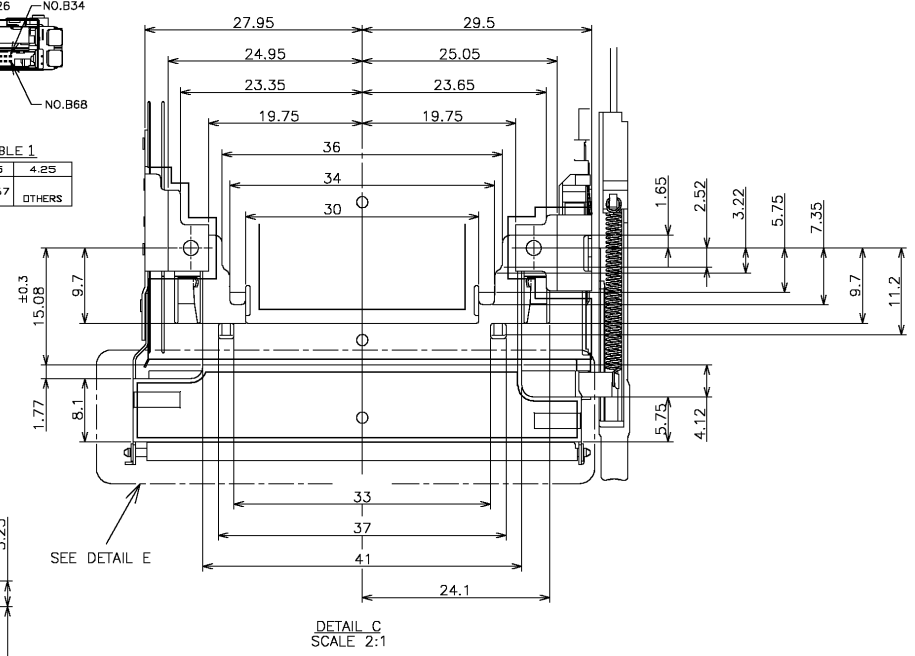
POST LENGTH	S	3.5	4.25
CIRCUIT NO.	1,17,34,35,51,68	36,67	OTHERS



DETAIL B
SCALE 2:1



DETAIL C
SCALE 2:1



SEE DETAIL E

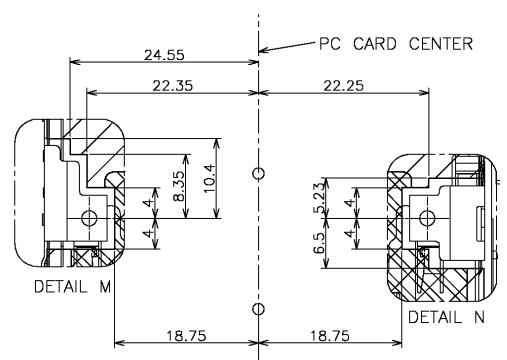
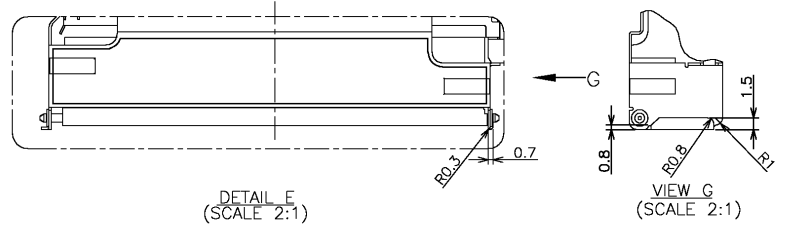
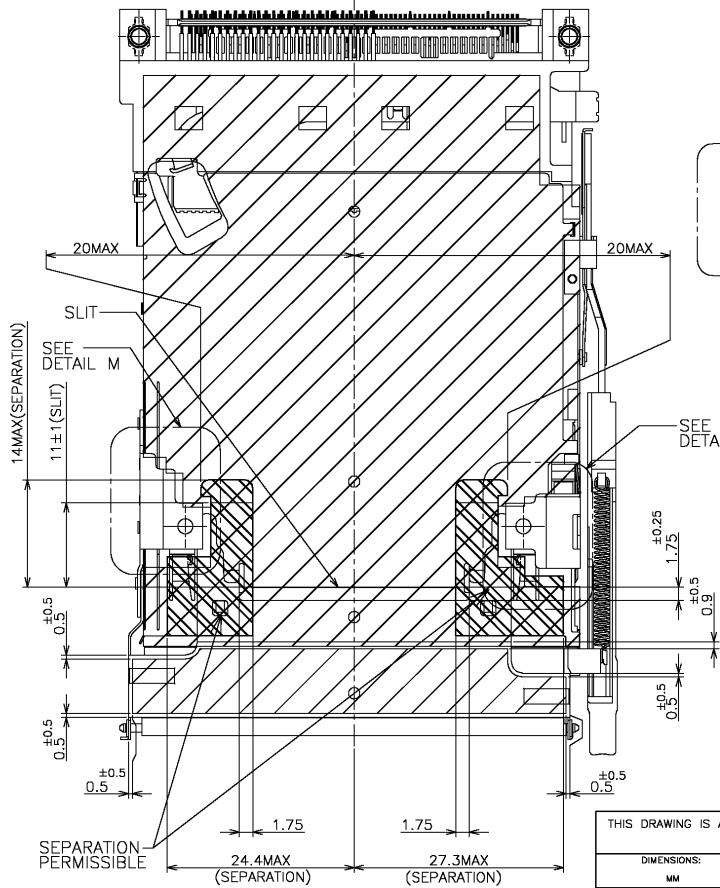
DETAIL C
SCALE 2:1

THIS DRAWING IS A CONTROLLED DOCUMENT.		DWN	tyco Electronics		Tyco Electronics AMP K.K. Kawasaki, Japan
DIMENSIONS:	TOLERANCES UNLESS OTHERWISE SPECIFIED:	CHK	NAME	CARDBUS-ExpressCard CONNECTOR DBL SLOT BOTTOM MOUNT TYPE PUSH-PUSH RIGHT BUTTON	
MM	0 PLC ± 0.5 1 PLC ± 0.5 2 PLC ± 0.5 3 PLC ± 0.5 4 PLC ± 0.5 ANGLES \pm	APVD	PRODUCT SPEC	SIZE	CAGE CODE DRAWING NO. RESTRICTED
MATERIAL	FINISH	APPLICATION SPEC	WEIGHT	A3	00779 C-1747835
		CUSTOMER DRAWING	SCALE	1:1	SHEET 2 OF 5 REV 0

4 3 2 1

THIS DRAWING IS UNPUBLISHED. RELEASED FOR PUBLICATION
 © COPYRIGHT 2004 BY TYCO ELECTRONICS CORPORATION. ALL RIGHTS RESERVED.

LOC	DIST	REVISIONS			
P	LTR	DESCRIPTION	DATE	DWN	APVD
-	-	SEE SHEET 1	-	-	-



INSULATION SHEET AREA
(SCALE 2:1)

THIS DRAWING IS A CONTROLLED DOCUMENT.		DWN	Tyco Electronics AMP K.K. Kawasaki, Japan	
DIMENSIONS: MM		CHK	NAME	
TOLERANCES UNLESS OTHERWISE SPECIFIED:		APVD	CARDBUS-ExpressCard CONNECTOR DBL SLOT BOTTOM MOUNT TYPE PUSH-PUSH RIGHT BUTTON	
0 PLC ±0.5		PRODUCT SPEC	SIZE	DWG CODE
1 PLC ±0.5		APPLICATION SPEC	A3	00779
2 PLC ±0.5		WEIGHT	DRAWING NO	
3 PLC ±0.5		CUSTOMER DRAWING	C-1747835	
4 PLC ±0.5			SCALE	1:1
ANGLES ±			SHEET	3 OF 5
FINISH			REV	0

AMP 1470-19 REV 31MAR2000

