

4

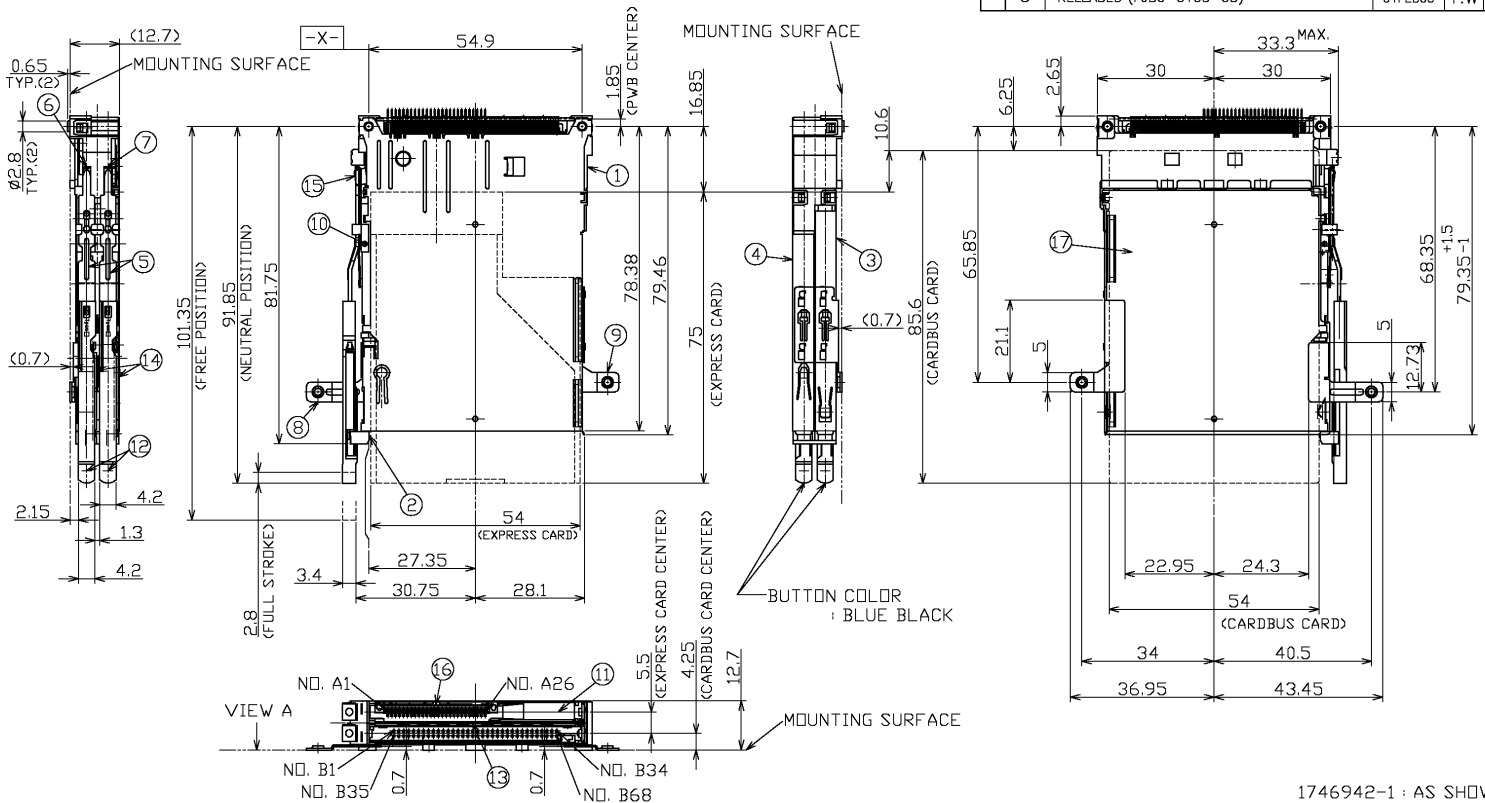
3

2

1

THIS DRAWING IS UNPUBLISHED. RELEASED FOR PUBLICATION
 © COPYRIGHT BY TYCO ELECTRONICS CORPORATION. ALL RIGHTS RESERVED.

LOC	DIST	REVISIONS					
J		P	LTR	DESCRIPTION	DATE	DWN	APVD
		0		RELEASED (FJBO-0103-05)	01FEB05	Y.W	H.M



1746942-1 : AS SHOWN

THIS DRAWING IS A CONTROLLED DOCUMENT.		DWN	31JAN05	tyco Electronics	Tyco Electronics AMP K.K. Kawasaki, Japan	
DIMENSIONS: 単位: 寸 mm		CHK	01FEB05		NAME	EXPRESS - CARBUS COMBO SLOT TOP MOUNT TYPE PUSH-PUSH LEFT BUTTON
TOLERANCES UNLESS OTHERWISE SPECIFIED: 寸公差		APVD	01FEB05	SIZE	CAGE CODE	DRAWING NO
0 PLC ± -		PRODUCT SPEC		A3	00779	1746942
1 PLC ± -		APPLICATION SPEC		RESTRICTED TO		
2 PLC ± -		取付適用規格		SCALE		
3 PLC ± -		WEIGHT		1:1		
4 PLC ± -		CUSTOMER DRAWING		SHEET		
ANGLES ± -		FINISH 仕上		1 OF 5		
				REV		
				0		

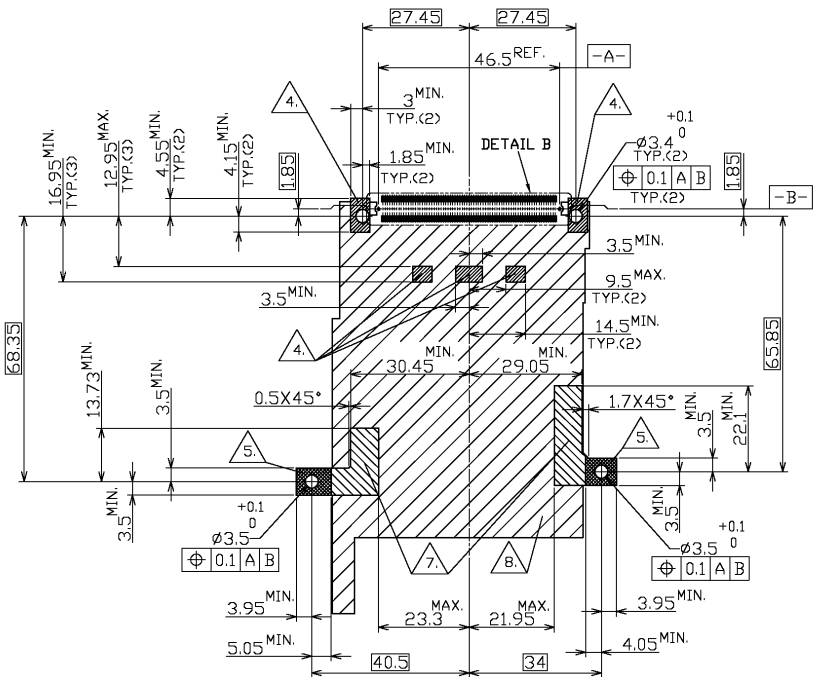
AMP 1470-19 REV 31MAR2000

THIS DRAWING IS UNPUBLISHED. RELEASED FOR PUBLICATION
 © COPYRIGHT BY TYCO ELECTRONICS CORPORATION. ALL RIGHTS RESERVED.

LOC	DIST	REVISIONS					
J		P	LTR	DESCRIPTION	DATE	DWN	APVD

注記

- 推奨ねじ締めトルク : 0.15~0.2Nm(1.5~2kgf・cm)
- ねじの締め付けの際は、イジェクタが基板から離れないように、ブラケットの下側を支えて下さい。
- 適応PCカード : PCMCIA準拠のPCカード。
- コネクタ実装エリア。(部品実装及びパターン禁止エリア)
- メタルパッド。
- 半田付けパッド。
- 部品実装禁止エリア。
- コネクタエリア。
- ネジ締め時のネジ押し付け力 : 14.7N(1.5kgf)以下。
- 一般公差 : ±0.5 , ±3°



VIEW A
 APPLICABLE P. C. BOARD LAYOUT
 (VIEW FROM CONNECTOR MOUNTING SIDE)

TABLE-1 : CARDBUS PIN LENGTH

PIN LENGTH	5	3.5	4.25
CIRCUIT NO.	1,17,34	35,67	OTHER
	35,51,68		

THIS DRAWING IS A CONTROLLED DOCUMENT.		DWN		 Tyco Electronics AMP K.K. Kawasaki, Japan																			
DIMENSIONS: 単位：mm	TOLERANCES UNLESS OTHERWISE SPECIFIED: 数公差	CHK																					
<table border="1"> <tr><td>0 PLC</td><td>±</td></tr> <tr><td>1 PLC</td><td>±</td></tr> <tr><td>2 PLC</td><td>±</td></tr> <tr><td>3 PLC</td><td>±</td></tr> <tr><td>4 PLC</td><td>±</td></tr> <tr><td>ANGLES</td><td>±</td></tr> </table>	0 PLC	±	1 PLC		±	2 PLC	±	3 PLC	±	4 PLC	±	ANGLES	±	<table border="1"> <tr><td>PRODUCT SPEC</td><td></td></tr> <tr><td>製品規格</td><td></td></tr> <tr><td>APPLICATION SPEC</td><td></td></tr> <tr><td>取付適用規格</td><td></td></tr> </table>	PRODUCT SPEC		製品規格		APPLICATION SPEC		取付適用規格		NAME 名称
0 PLC	±																						
1 PLC	±																						
2 PLC	±																						
3 PLC	±																						
4 PLC	±																						
ANGLES	±																						
PRODUCT SPEC																							
製品規格																							
APPLICATION SPEC																							
取付適用規格																							
MATERIAL 材質	FINISH 仕上	APVD		SIZE A3	CAGE CODE 00779	DRAWING NO. 1746942	RESTRICTED TO																
		WEIGHT		CUSTOMER DRAWING		SCALE 1:1	SHEET 2 OF 5	REV 0															

4

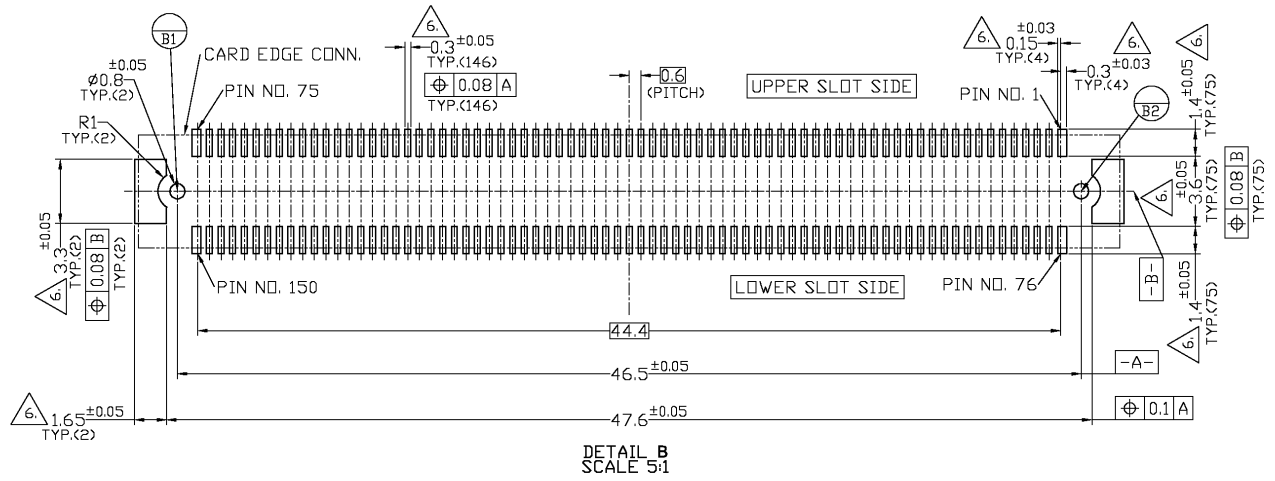
3

2

1

THIS DRAWING IS UNPUBLISHED. RELEASED FOR PUBLICATION
 © COPYRIGHT BY TYCO ELECTRONICS CORPORATION. ALL RIGHTS RESERVED.

LOC	DIST	REVISIONS					
J		P	LTR	DESCRIPTION	DATE	DWN	APVD



DETAIL B
SCALE 5:1

0.6mm PITCH CARD EDGE CONNECTOR FOR THIS PRODUCT		
6123215-1	1123215-1	HARD TRAY
6376045-1	1376045-1	ON TAPING(EMBOSS)
LEAD-FREE	LEAD TYPE	DESCRIPTION
PART NUMBER		

THIS DRAWING IS A CONTROLLED DOCUMENT.		DWN	Tyco Electronics AMP K.K. Kawasaki, Japan	
DIMENSIONS: 単位: 特 mm	TOLERANCES UNLESS OTHERWISE SPECIFIED: 一般公差	CHK	NAME	EXPRESS - CARBUS COMBO SLOT
		APVD	名称	TOP MOUNT TYPE
MATERIAL	FINISH 仕上	PRODUCT SPEC	SIZE	A3
		APPLICATION SPEC	CAGE CODE	00779
CUSTOMER DRAWING		WEIGHT	DRAWING NO	1746942
		RESTRICTED TO	SCALE	1:1
			SHEET	3 of 5
			REV	0

AMP 1470-19 REV 31MAR2000

4

3

2

1

THIS DRAWING IS UNPUBLISHED. RELEASED FOR PUBLICATION
 © COPYRIGHT - BY TYCO ELECTRONICS CORPORATION. ALL RIGHTS RESERVED.

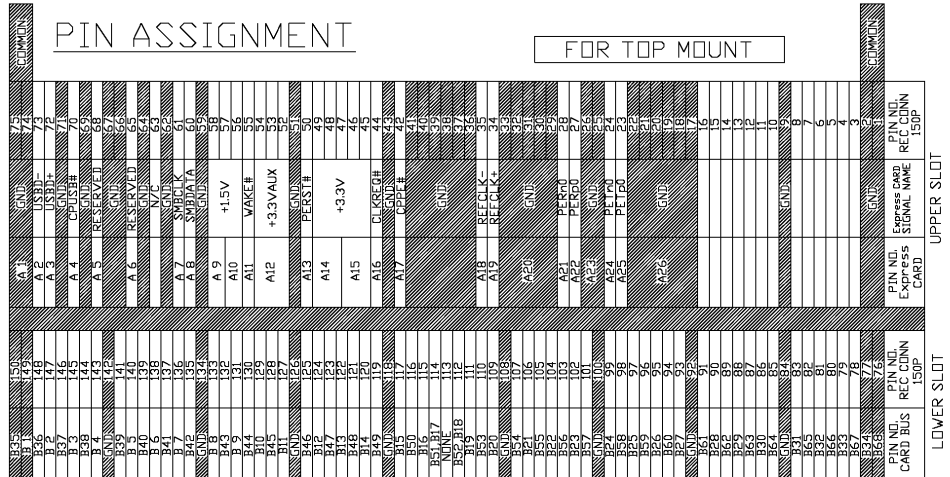
LOC	DIST	REVISIONS					
J		P	LTR	DESCRIPTION	DATE	OWN	APVD

NOTE

1. RECOMMENDED TIGHTENING TORQUE : 0.15~0.2Nm(1.5~2kgf·cm)
2. WHEN SCREW LOCK TO THE EJECTOR , PLEASE SUPPORT THE BOTTOM SIDE OF BRACKET AS SHOWN.
3. APPLIED CARD : PCMCIA ATTRIBUTE PC CARD.
4. CONNECTOR MOUNTING AREA. (NO COMPONENT AND NO SIGNAL LINE AREA)
5. METAL PAD.
6. SOLDERING PAD.
7. NO COMPONENT AREA.
8. CONNECTOR AREA.
9. THE AXIAL FORCE TO SCREW WHEN MOUNTING CARDBUS : 14.7N(1.5kgf)MAX.
10. GENERAL TOLERANCE : ±0.5 , ±3°

PIN ASSIGNMENT

FOR TOP MOUNT



THIS DRAWING IS A CONTROLLED DOCUMENT.		DWN		tyco Tyco Electronics AMP K.K.																																									
DIMENSIONS: 単位: ㎜		TOLERANCES UNLESS OTHERWISE SPECIFIED: 公差表		Electronics Kawasaki, Japan																																									
<table border="1"> <tr><td>0 PLC</td><td>±</td></tr> <tr><td>1 PLC</td><td>±</td></tr> <tr><td>2 PLC</td><td>±</td></tr> <tr><td>3 PLC</td><td>±</td></tr> <tr><td>4 PLC</td><td>±</td></tr> <tr><td>ANGLES</td><td>±</td></tr> </table>		0 PLC	±	1 PLC	±	2 PLC	±	3 PLC	±	4 PLC	±	ANGLES	±	<table border="1"> <tr><td>CHK</td><td></td></tr> <tr><td>APVD</td><td></td></tr> <tr><td>PRODUCT SPEC</td><td></td></tr> <tr><td>APPLICATION SPEC</td><td></td></tr> <tr><td>WEIGHT</td><td></td></tr> </table>		CHK		APVD		PRODUCT SPEC		APPLICATION SPEC		WEIGHT		<table border="1"> <tr><td>NAME</td><td>名称</td></tr> <tr><td colspan="2">EXPRESS - CARDBUS COMBO SLOT</td></tr> <tr><td colspan="2">TOP MOUNT TYPE</td></tr> <tr><td colspan="2">PUSH-PUSH LEFT BUTTON</td></tr> <tr><td>SIZE</td><td>CAGE CODE</td><td>DRAWING NO</td><td>番号</td><td>RESTRICTED TO</td></tr> <tr><td>A3</td><td>00779</td><td>1746942</td><td></td><td></td></tr> </table>		NAME	名称	EXPRESS - CARDBUS COMBO SLOT		TOP MOUNT TYPE		PUSH-PUSH LEFT BUTTON		SIZE	CAGE CODE	DRAWING NO	番号	RESTRICTED TO	A3	00779	1746942		
0 PLC	±																																												
1 PLC	±																																												
2 PLC	±																																												
3 PLC	±																																												
4 PLC	±																																												
ANGLES	±																																												
CHK																																													
APVD																																													
PRODUCT SPEC																																													
APPLICATION SPEC																																													
WEIGHT																																													
NAME	名称																																												
EXPRESS - CARDBUS COMBO SLOT																																													
TOP MOUNT TYPE																																													
PUSH-PUSH LEFT BUTTON																																													
SIZE	CAGE CODE	DRAWING NO	番号	RESTRICTED TO																																									
A3	00779	1746942																																											
MATERIAL 材料		FINISH 仕上		CUSTOMER DRAWING																																									
				SCALE 尺度 1:1 SHEET 4 of 5 REV 0																																									

4

3

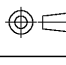
2

1

THIS DRAWING IS UNPUBLISHED. RELEASED FOR PUBLICATION
 © COPYRIGHT - BY TYCO ELECTRONICS CORPORATION. ALL RIGHTS RESERVED.

LOC		DIST		REVISIONS			
				變更			
P	LTR	DESCRIPTION	DATE	DWN	APVD		
-	-			-	-		

FINISH	MATERIAL	QTY	NAME	ITEM
	POLYESTER	1	INSULATION SHEET	17
	STAINLESS STEEL	1	EXPRESS EJECT PLATE	16
	STAINLESS STEEL	1	EXPRESS ARM BAR	15
	STEEL	2	PUSH PLATE SPRING	14
	STAINLESS STEEL	1	MIDDLE SHELL	13
	THERMO PLASTIC	2	BUTTON	12
	THERMO PLASTIC	1	EXPRESS GUIDE RAIL	11
	STAINLESS STEEL	1	SPRING PIN	10
	STAINLESS STEEL	1	BRACKET<W/O BUTTON SIDE>	9
	STAINLESS STEEL	1	BRACKET<BUTTON SIDE>	8
	STAINLESS STEEL & COPPER ARROY	1	EXPRESS PUSH PLATE ASSY<L>	7
	STAINLESS STEEL & COPPER ARROY	1	CARDBUS PUSH PLATE ASSY<L>	6
	STAINLESS STEEL	2	PUSH BAR	5
	STAINLESS STEEL	1	UPPER SHELL	4
	STAINLESS STEEL	1	LOWER SHELL	3
	THERMO PLASTIC	1	HOUSING ARM	2
NICKEL & TIN LEAD & GOLD	HIGH TEMPERATURE THERMO PLASTIC & COPPER ARROY & STAINLESS STEEL & GRASS-EPOX	1	HEADER MAIN ASSY	1

THIS DRAWING IS A CONTROLLED DOCUMENT.		DWN	tyco Tyco Electronics AMP K.K. Kawasaki, Japan	
DIMENSIONS: 單位: 轉 mm	TOLERANCES UNLESS OTHERWISE SPECIFIED: 公差	CHK	NAME 名稱	EXPRESS - CARDBUS COMBO SLOT TOP MOUNT TYPE PUSH-PUSH LEFT BUTTON
	0 PLC ±	APVD	PRODUCT SPEC 產品規格	SIZE CAGE CODE DRAWING NO A3 00779 1746942
	1 PLC ±	APPLICATION SPEC 零件適用規格	RESTRICTED TO	
MATERIAL 材料	FINISH 仕上	WEIGHT	CUSTOMER DRAWING	SCALE 1:1 SHEET 5 OF 5 REV 0