

4

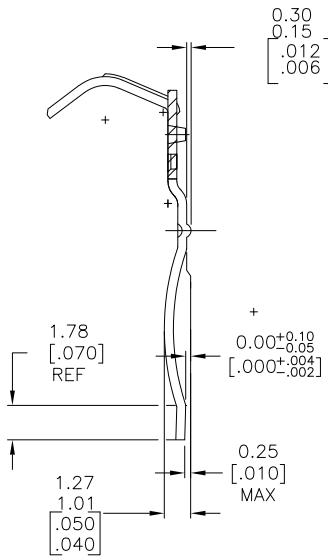
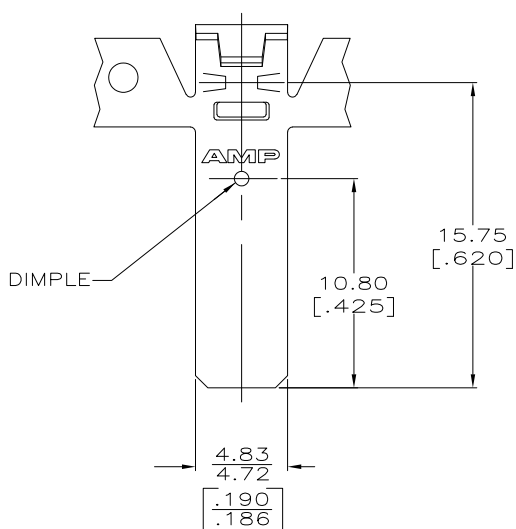
3

2

1

THIS DRAWING IS UNPUBLISHED. RELEASED FOR PUBLICATION  
 © COPYRIGHT - BY TYCO ELECTRONICS CORPORATION. ALL RIGHTS RESERVED.

LOC	DIST	REVISIONS			
P	LTR	DESCRIPTION	DATE	DWN	APVD
AF	50				
	D4	REVISED PER ECR-08-018166	29JUL08	HMR	EH



- 1 PRODUCT PROVIDED IN STRIP FORM ON SPLICE FREE REELS.
- 2 REVERSE REEL OF 62008-1 AND 62008-2.
- 3 PRE-PRODUCTION - FASR REQUIRED
- 4 SAME AS 62009-1 EXCEPT SPECIAL PACKAGING FOR INTERNATIONAL SHIPMENT

0.00203[.000080] MIN TIN		20-14 AWG	4 62009-5
0.00381[.000150] MIN SILVER			3 62009-4
FINISH		WIRE RANGE	2 62009-2
THIS DRAWING IS A CONTROLLED DOCUMENT.			2 62009-1
DWN PHILLIP M. FORTNEY 28JAN1999		Tyco Electronics Corporation Harrisburg, PA 17105-3608	PART NUMBER
CHK JEFF R. RUTH 29JAN1999			
APVD DON DECKER 28JAN1999		NAME	
DIMENSIONS: mm [INCHES]		BRUSH CONTACT, TAB-LOCK LEFT HAND	
TOLERANCES UNLESS OTHERWISE SPECIFIED:		SIZE CAGE CODE DRAWING NO	
0 PLC ± -		A3 00779 C=62009	
1 PLC ± -		RESTRICTED TO	
2 PLC ± 0.25[.010]		-	
3 PLC ± -		WEIGHT	
4 PLC ± -		-	
ANGLES ± -		CUSTOMER DRAWING	
MATERIAL T3 PHOS BRONZE		SCALE 5:1 SHEET 1 of 1 REV D4	
FINISH SEE TABLE			

AMP 1470-19 REV 31MAR2000