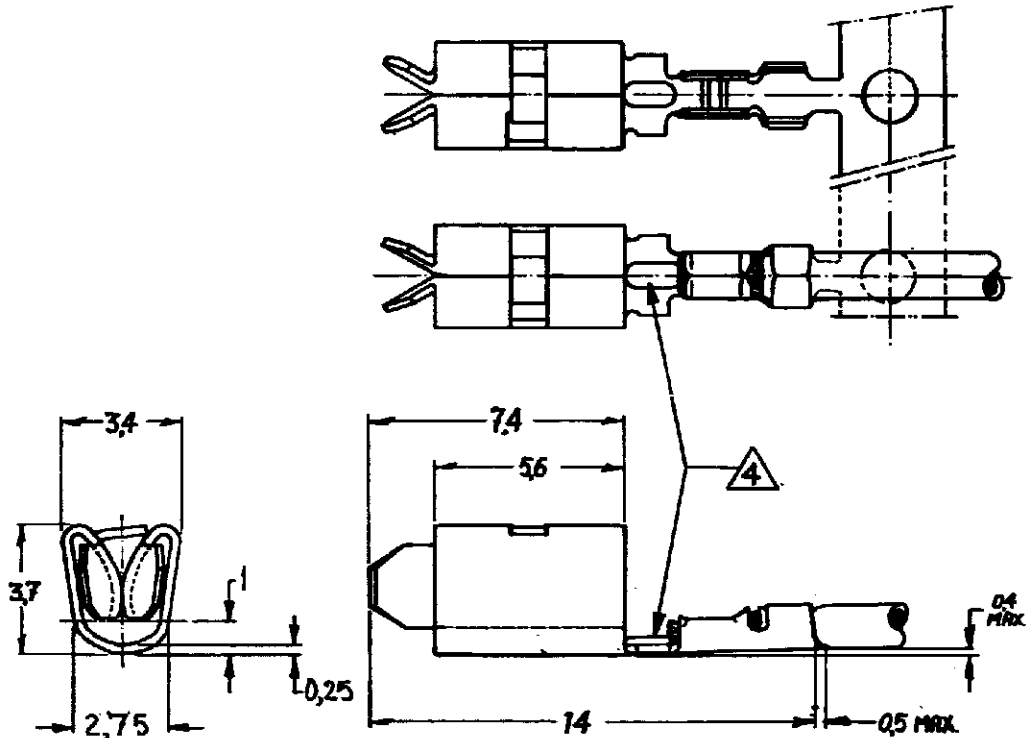


NUMBER C-160760-E SHT. 1 OF 2


DRAWING MADE IN AMERICAN PROJECTION

REVISIONS				
LTR	DESCRIPTION	DATE	DWN	APVD
E1	REVISED PER ECO-09-022178	25SEP09	KK	AEG



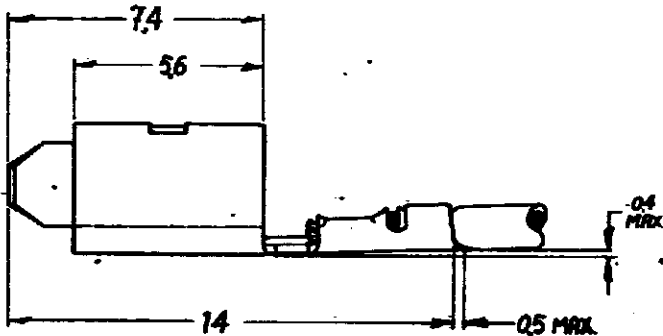
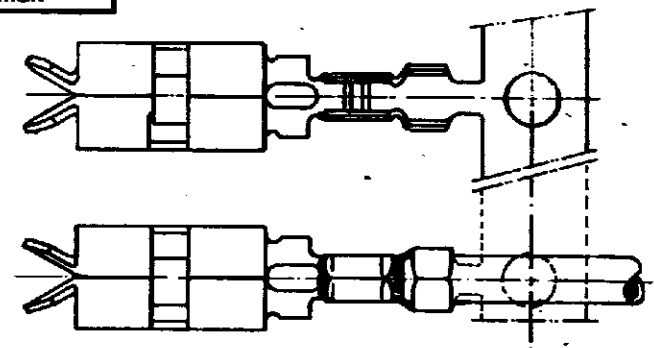
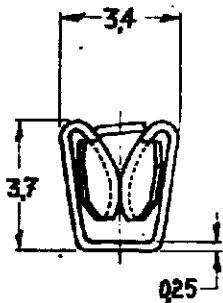
NOTE :

- ① FOR USE ON STANDARD APPLICATORS (RIGHT TO LEFT FEED).
- ② FOR USE ON MINIATURE APPLICATORS (LEFT TO RIGHT FEED).
- ③ FOR USE ON AMPOMATOR MACHINES AND MINIATURE APPLICATORS (LEFT TO RIGHT FEED)
- ④ 160760-5 WITHOUT DIMPLE.
- ⑤ OBSOLETE PARTS: OBSOLETE CIS STREAMLINING PER D.RENAUD/D.SINISI

ORDER NO.			MATERIAL			PLATING			CUSTOMER COPY FOR REFERENCE ONLY				
⑤	160760-5	PH. BRONZE	PRE-TIN	©1976 BY AMP-HOLLAND N.V. ALL RIGHTS RESERVED A-MP PRODUCTS COVERED BY PATENTS AND/OR PATENTS PENDING.  AMP-HOLLAND N.V. "HERTOEGBOSCH HOLLAND"				WIRE RANGE		INSUL. RANGE		FIRST USED	
	160760-4	PHOS. BRONZE	PRE-TIN					005-015 mm ²		08-13 DIA.			
	160760-3	PHOS. BRONZE	PRE-TIN										
	160760-2	BRASS	PRE-TIN										
	160760-1	BRASS	PRE-TIN										
SCALE			LOC			SIZE			NO				
6:1			H			A			C-160760-E				
DATE			DATE			DATE			SHT. 1 OF 2				
25/09/09			25/09/09			25/09/09			E1				
DATE			DATE			DATE			NAME				
21.6.75			21.6.75			21.6.75			.110 TAB RECEPTACLE				

NUMBER C-160760-E
SHT. 2 OF 2

DRAWING MADE IN AMERICAN PROJECTION



NOTE :

- 1 FOR USE ON STANDARD APPLICATORS (RIGHT TO LEFT FEED).
- 2 FOR USE ON MINIATURE APPLICATORS (LEFT TO RIGHT FEED).
- 3 OBSOLETE PARTS: OBSOLETE CIS STREAMLINING PER D.RENAUD/D.SINISI

DIMENSIONS IN MM DO NOT SCALE PRINT

CUSTOMER COPY FOR REFERENCE ONLY

©1978 BY AMP-HOLLAND N.V. ALL RIGHTS RESERVED. A.M.P. PRODUCTS COVERED BY PATENTS AND/OR PATENTS PENDING.



AMP-HOLLAND N.V.
HERTOGENBOSCH
HOLLAND

1-160760-3	PHOS.BRONZE	PRE-TIN
1-160760-2	BRASS	PRE-TIN
1-160760-1	BRASS	PRE-TIN
ORDER NO.	MATERIAL	PLATING
DR. S. J. ...	DATE 18.4.1978	DE
CA. STERKEN	DATE 19.4.78	APP
	DATE 20.4.78	

WIRE RANGE	INSUL. RANGE	FIRST USED
005-075 mm ²	08-13 DIA.	
SCALE	LOC	SIZE
6:1	H	A

NO C-160760-E SHT. 2 OF 2 REV E1

NAME .110 TAB RECEPTACLE